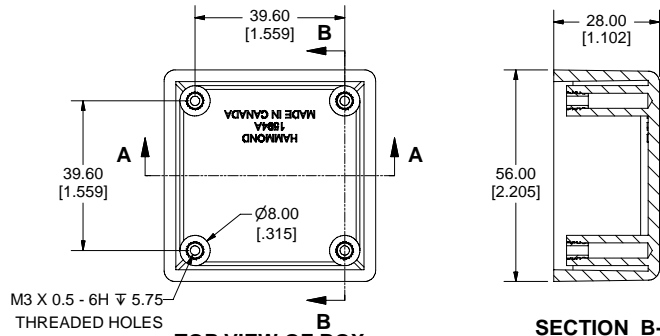
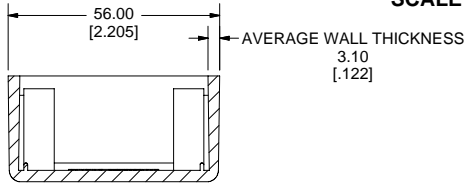


DRAFT ANGLE OF APPROXIMATELY 1°

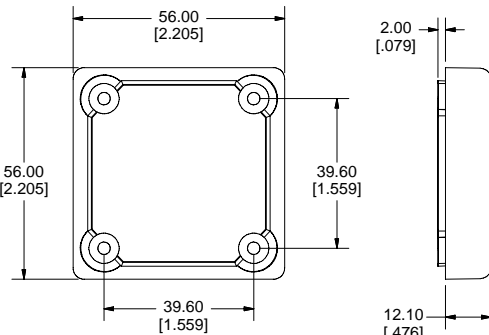


TOP VIEW OF BOX

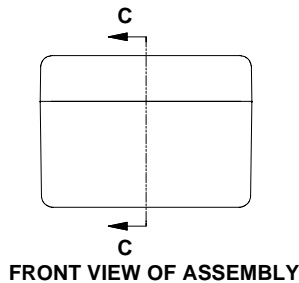
SECTION B-B  
SCALE 1 : 1



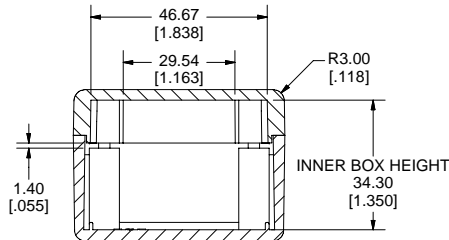
SECTION A-A  
SCALE 1 : 1



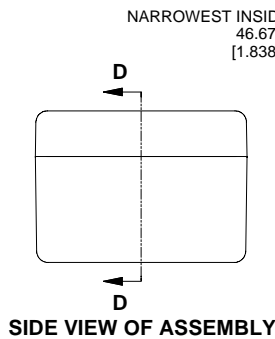
BOTTOM OF LID



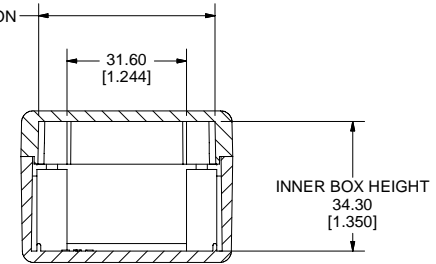
FRONT VIEW OF ASSEMBLY



SECTION C-C  
SCALE 1 : 1



SIDE VIEW OF ASSEMBLY



SECTION D-D  
SCALE 1 : 1



Enclosures can be Factory Modified ( Milling, Drilling, Printing etc. )  
Solid models of this enclosure available in STEP or IGES.  
Contact Factory [mjm@hammondmfg.com](mailto:mjm@hammondmfg.com)

1594A Enclosure	
FLAME RETARDANT ABS	
Black - RAL 9011	1594ABK
Grey - RAL 7018	1594AGY
NON-FLAME RETARDANT ABS	
Grey - RAL 7035	1594ASGY
Black - RAL 9011	1594ASBK
LIQUID RESISTANT	
Black - RAL 9011	1594AWBK
ACCESSORIES	
Cover Screws Non-Flame Retardant (pkg. 100) [#4 x 1" Self-Tapping]	1594TS100
Cover Screws Flame Retardant (pkg. 100) [M3 - 0.5 x 20mm]	1594MS100
Cover Screws Liquid Resistant (pkg. 100) [M3 - 0.5 x 20mm]	1594WMS100
Circuit Board Holders	(See 1594Z Series)

