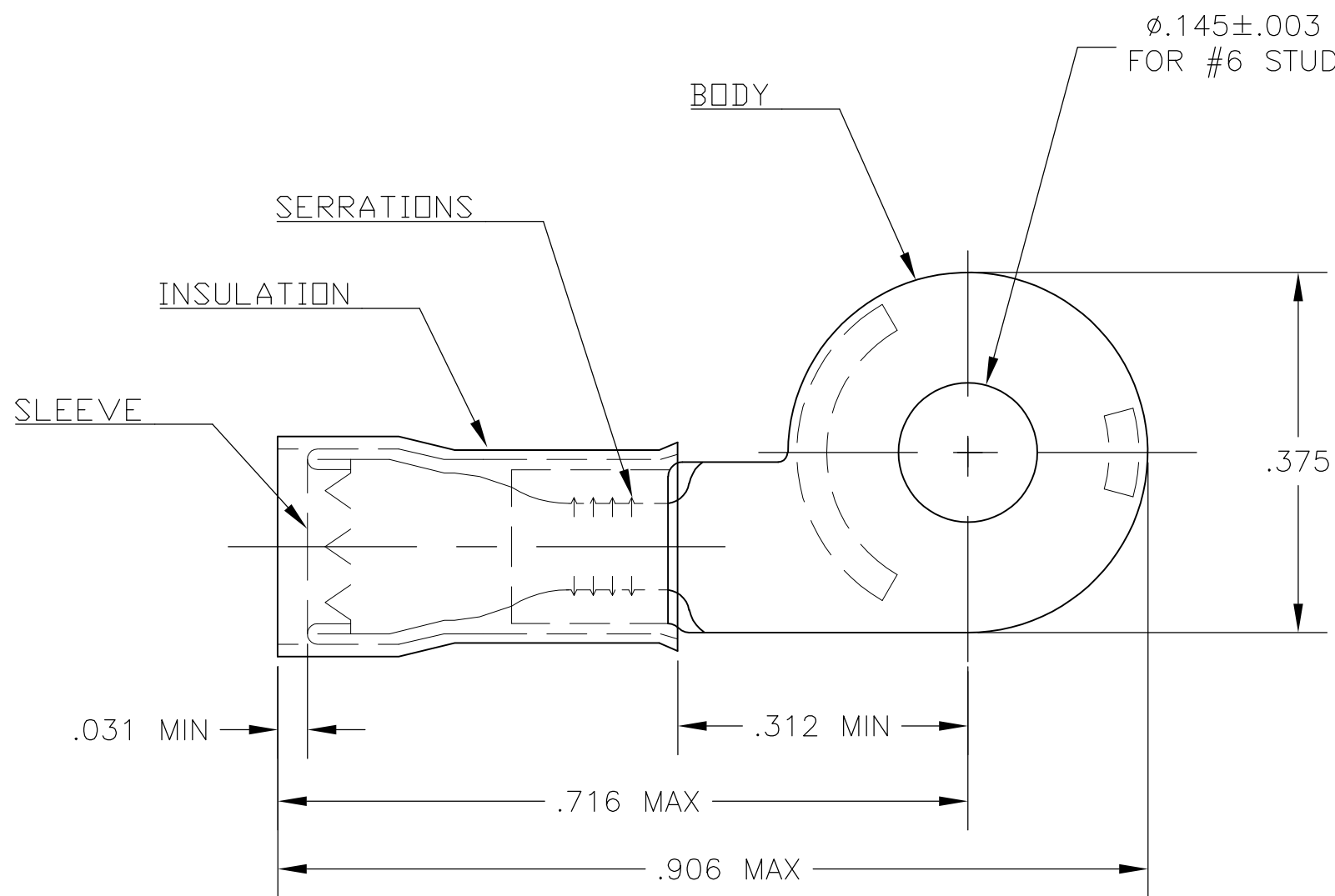


THIS DRAWING IS UNPUBLISHED. RELEASED FOR PUBLICATION
© COPYRIGHT BY TYCO ELECTRONICS CORPORATION. ALL INTERNATIONAL RIGHTS RESERVED.

LOC G	DIST 02	REVISIONS			
P	LTR	DESCRIPTION	DATE	DWN	APVD
	E1	REDRAWN PER ECR 09-018897	08SEPT09	JR	TM



- 1 TONGUE MATERIAL THK IS .031±.002
- 2 FOR .105-.150 WIRE INSULATION DIA

OBSOLETE

1	323817 ON TAPE	BODY & SLEEVE: COPPER PER ASTM B-152 TIN PL PER ASTM B545	2-323817-2
1	WIRE TERMINAL	INSULATION: NYLON PER MIL-M-20693, TYPE 1, COLOR-BLUE	323817
QTY	DESCRIPTION	MATERIAL & FINISH	PART NO

THIS DRAWING IS A CONTROLLED DOCUMENT.		DWN jr_ruth 08SEP09	Tyco Electronics Corporation Harrisburg, PA 17105-3608	
DIMENSIONS: INCHES		CHK TOM MICHIELUTTI 08SEPT09	NAME TERMINAL, PIDG, NYLON, RING TONGUE, OFFSET, WIRE SIZE: 16-14	
TOLERANCES UNLESS OTHERWISE SPECIFIED:		APVD TOM MICHIELUTTI 08SEPT09	PRODUCT SPEC -	
<ul style="list-style-type: none"> 0 PLC ± - 1 PLC ± - 2 PLC ± - 3 PLC ± .008 4 PLC ± - ANGLES ± 5° 		APPLICATION SPEC -	SIZE A3	CAGE CODE 00779
MATERIAL -	FINISH -	WEIGHT -	DRAWING NO G-323817	RESTRICTED TO -
CUSTOMER DRAWING			SCALE 6:1	SHEET 1 OF 1
			REV E1	