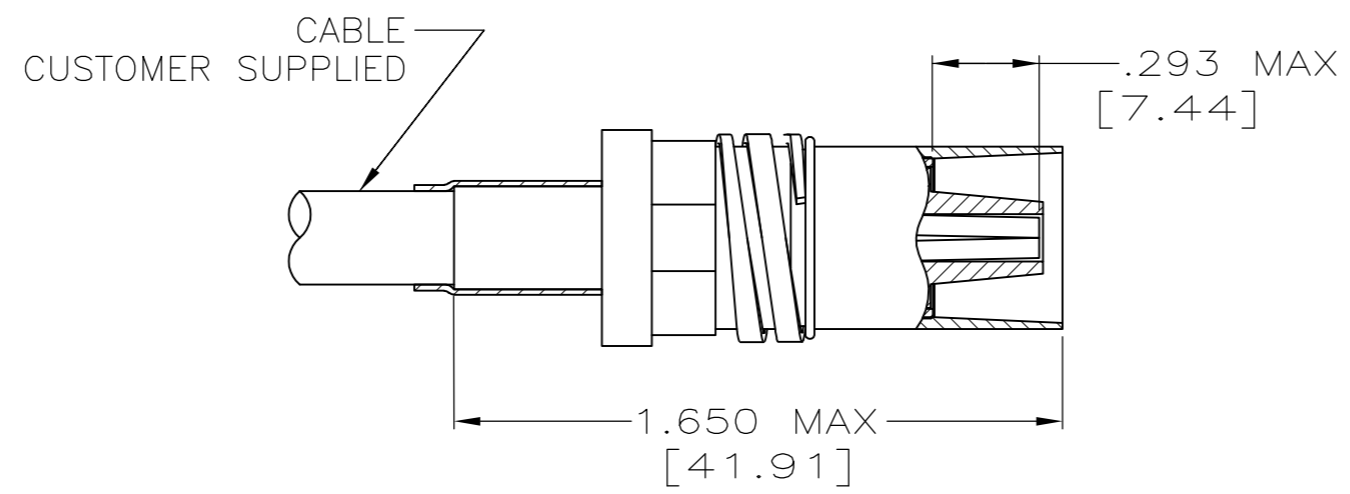
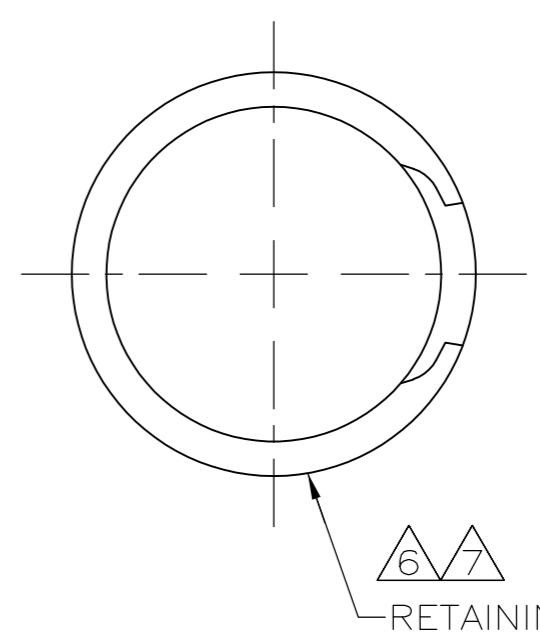
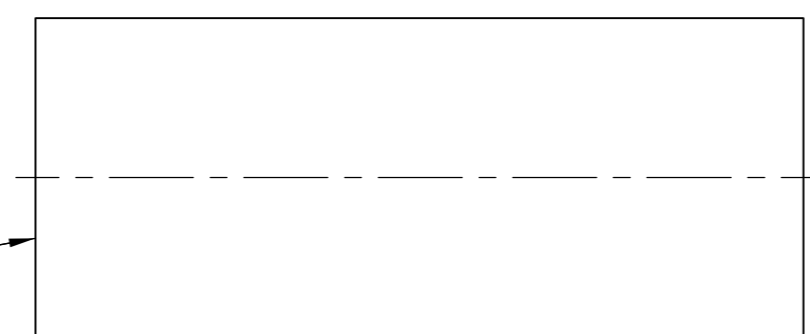
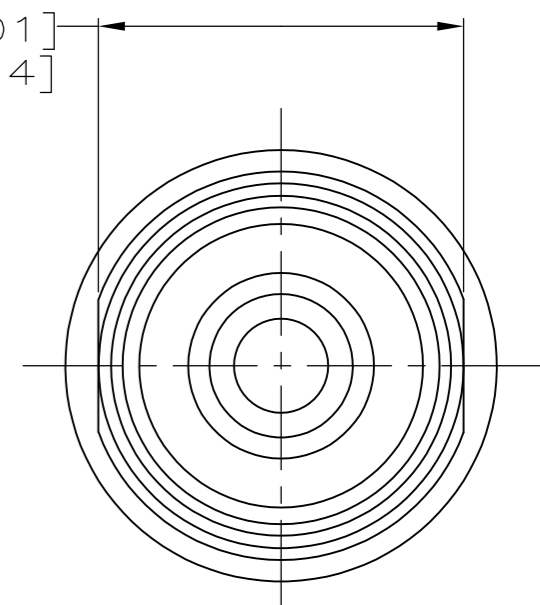
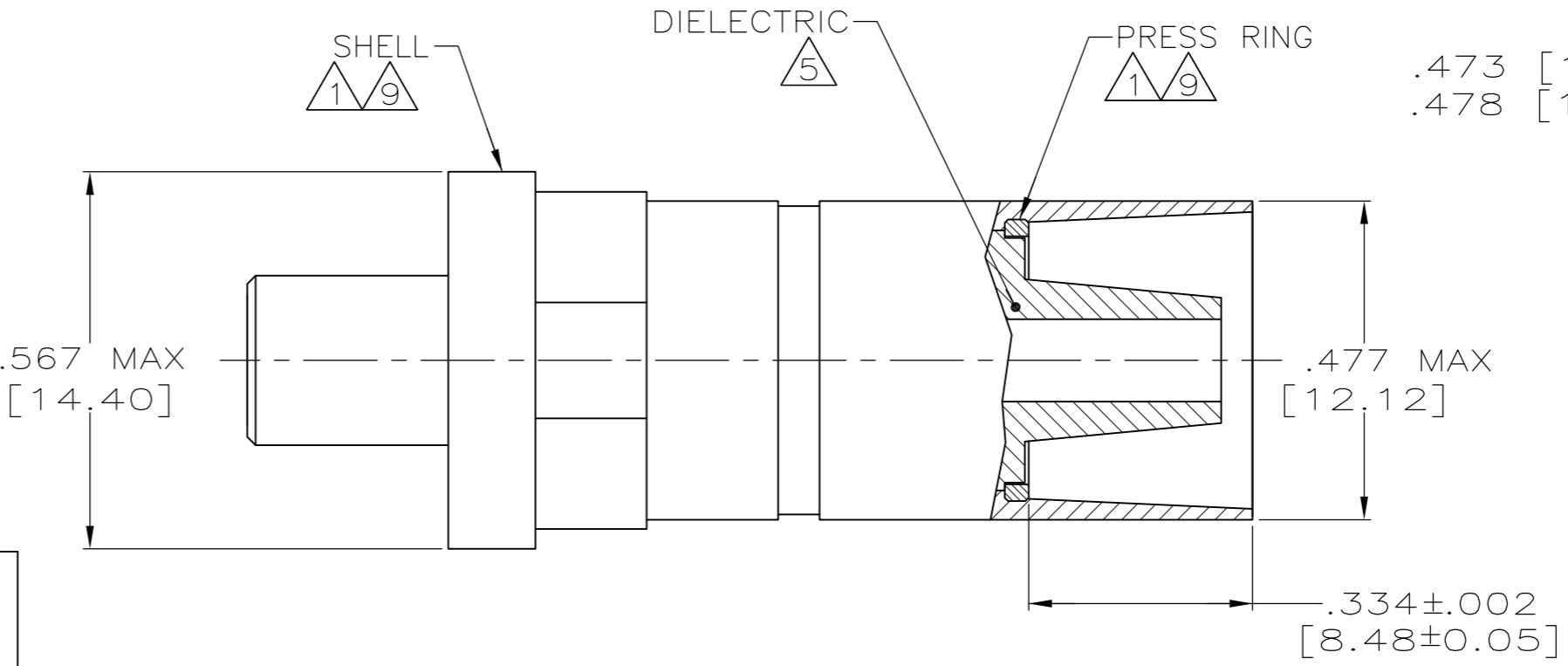
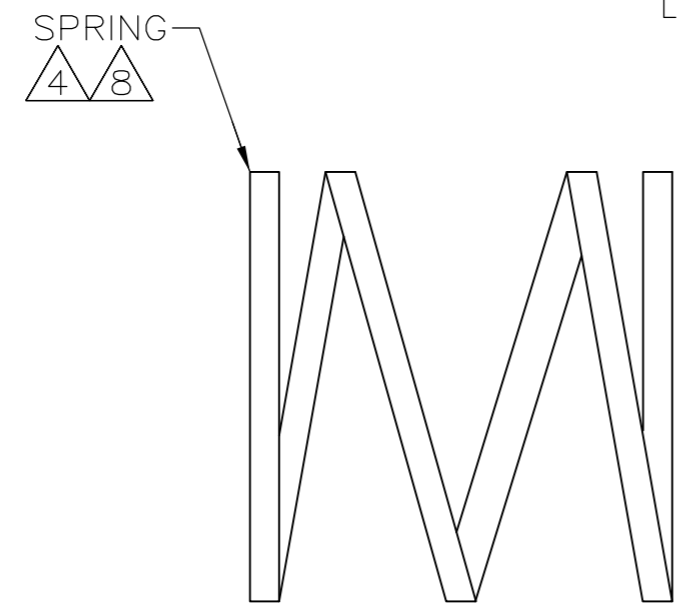
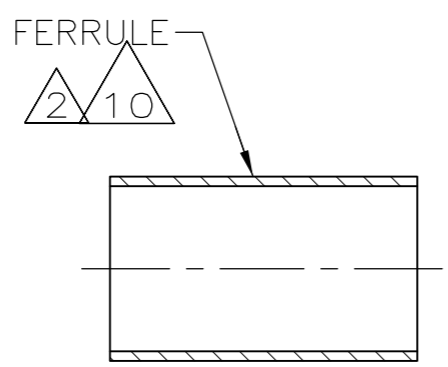
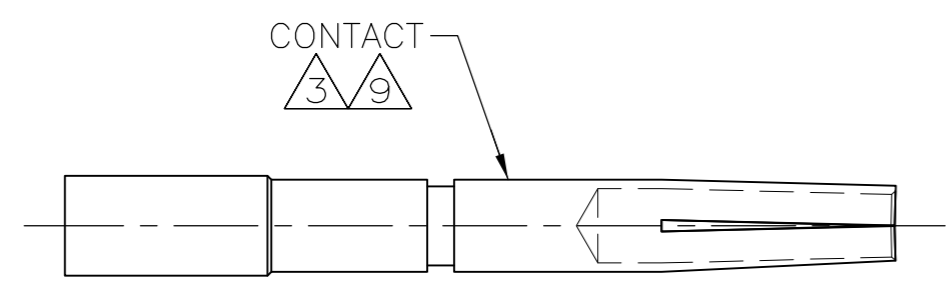


THIS DRAWING IS UNPUBLISHED. RELEASED FOR PUBLICATION
 © COPYRIGHT BY TYCO ELECTRONICS CORPORATION. ALL INTERNATIONAL RIGHTS RESERVED.

LOC	DIST	REVISIONS			
P	LTR	DESCRIPTION	DATE	DWN	APVD
DF	X0				
	B	REVISED PER ECO-09-006799	26-03-09	CT	RG



ASSEMBLED VIEW
 SCALE 2:1

- △1 MAT'L: BRASS PER ASTM-B-16, 1/2 HARD.
- △2 MAT'L: COPPER PER ASTM-B-152.
- △3 MAT'L: BERYLLIUM COPPER PER ASTM-B-197.
- △4 MAT'L: MUSIC WIRE OIL TEMPER ASTM 226.
- △5 MAT'L: PTFE PER ASTM-D-1710.
- △6 MAT'L: STAINLESS STEEL PER QQ-S-766.
- △7 FINISH: PASSIVATED PER ASTM-A-380.
- △8 FINISH: CADMIUM PLATED PER QQ-P-416.
- △9 FINISH: GOLD PLATED PER MIL-G-45204 OVER NICKEL PER QQ-N-290.
- △10 FINISH: TIN-LEAD PLATED.

11. FOR USE WITH FC38Z CABLE.

446549-8
 PART NO.

THIS DRAWING IS A CONTROLLED DOCUMENT.		DWN C.C.THOMAS 11-8-94	Tyco Electronics Corporation Harrisburg, PA 17105-3608	
DIMENSIONS: INCHES		CHK J.DUNBAR 11-10-94	NAME SOCKET KIT, SIZE 1, MODIFIED, RF	
TOLERANCES UNLESS OTHERWISE SPECIFIED:		APVD J.DUNBAR 11-10-94	SIZE A2	
0 PLC ± -		PRODUCT SPEC	CAGE CODE 00779	DRAWING NO C=446549-8
1 PLC ± -		APPLICATION SPEC	RESTRICTED TO -	
2 PLC ± -			SCALE 4:1	
3 PLC ± -			SHEET 1 of 1	
4 PLC ± -			REV B	
ANGLES ± -				
MATERIAL SEE CALOUTS		FINISH SEE CALOUTS		
		WEIGHT -		
		CUSTOMER DRAWING		