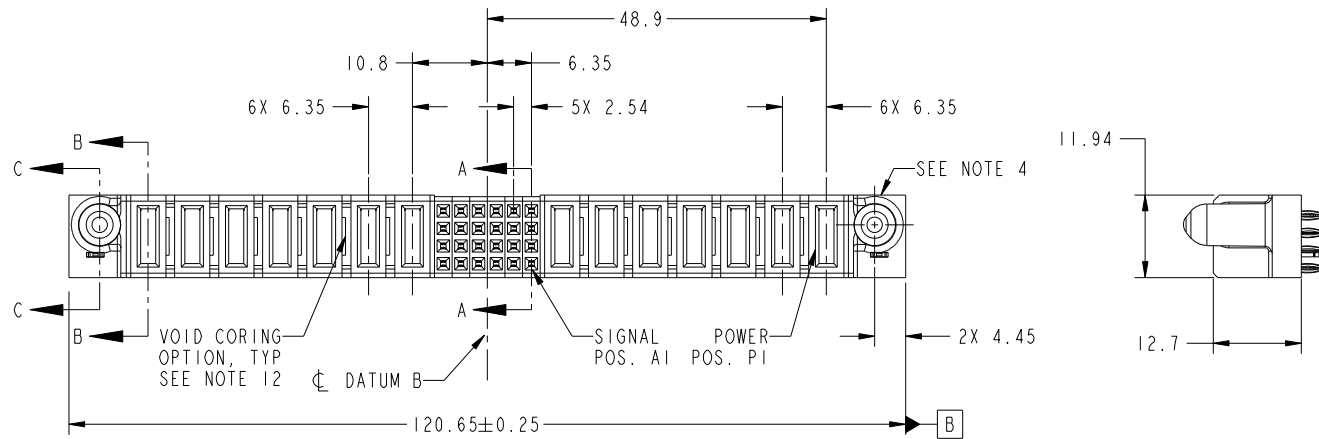


Tous droits strictement reserves. Reproduction ou communication a des tiers interdite sous quelque forme que ce soit sans autorisation écrite du propriétaire. Propriete de c FCI. Droits de reproduction FCI.



All rights strictly reserved. Reproduction or issue to third parties in any form whatever is not permitted without written authority from the proprietor. Property of FCI. Copyright FCI.

PRODUCT NO.	ROWS	POWER							SIGNAL					POWER									
		E2	P14	P13	P12	P11	P10	P9	P8	6	5	4	3	2	1	P7	P6	P5	P4	P3	P2	P1	E1
51750-089-- NOTE: 3	D C B A	HA	PC	PC	PC	PF	PF	PF	PF	F	F	F	F	F	F	PF	PF	PF	PF	PC	PC	PC	HA



CODE	DIM "M" MATING LENGTH	CONTACT TYPE
PF	[2.34]	POWER
F	[N/A]	SIGNAL
HA	[N/A]	HOLD-DOWN
PC	[1.07]	POWER

mat'l code				SEE NOTES		tolerances unless otherwise specified		CUSTOMER		FCI	
ltr	ecn no.	dr	date	linear	0.X ±0.5	projection	COPY		www.fciconnect.com		
A	DG08-0314	JW	10/30/08	angles	0.XX ±0.25		title		7P + 24S + 7P		
					0.XXX ±0.1		product family		PwrBlade		
				dr	0° ±2°	scale	size		code		
				enr	JULIA WANG 10/30/08	1:1	dwg no		213		
				chr	JEROME CHEN 10/30/08		51750-089		sheet		
				appd	GARY HSIEH 10/30/08		A		1 of 4		
					JOSEPH HSIA 10/30/08						
sheet index	revision sheet	A 1	A 2	A 3	A 4						

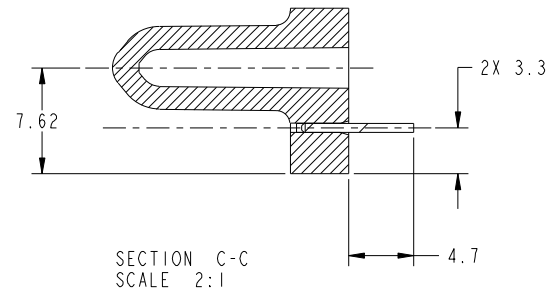
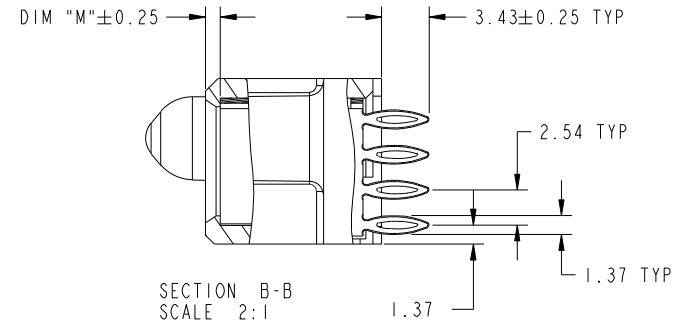
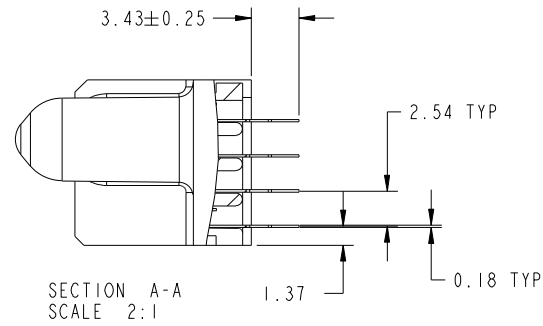
cage code 22526

Tous droits strictement reserves. Reproduction ou communication a des tiers interdite sous quelque forme que ce soit sans autorisation écrite du propriétaire. Propriete de c FCI. Droits de reproduction FCI.



All rights strictly reserved. Reproduction or issue to third parties in any form whatever is not permitted without written authority from the proprietor. Property of FCI. Copyright FCI.

PRODUCT NUMBER
51750-089__
NOTE: 3



mat'l code				tolerances unless otherwise specified		CUSTOMER		 www.fciconnect.com	
ltr	ecn no.	dr	date	linear	0.X ±0.5	COPY		title	
A					0.XX ±0.25	projection		7P + 24S + 7P	
				angles	0.XXX ±0.1			VERTICAL PRESS-FIT RECEIPT	
					0° ±2°			product family PwrBlade code	
		dr	JULIA WANG	10/30/08		size		213	
		enr	JEROME CHEN	10/30/08		dwg no		sheet	
		chr	GARY HSIEH	10/30/08		51750-089		2 of 4	
		appd	JOSEPH HSIA	10/30/08		scale			
						1:1			
sheet index		revision sheet							

cage code 22526

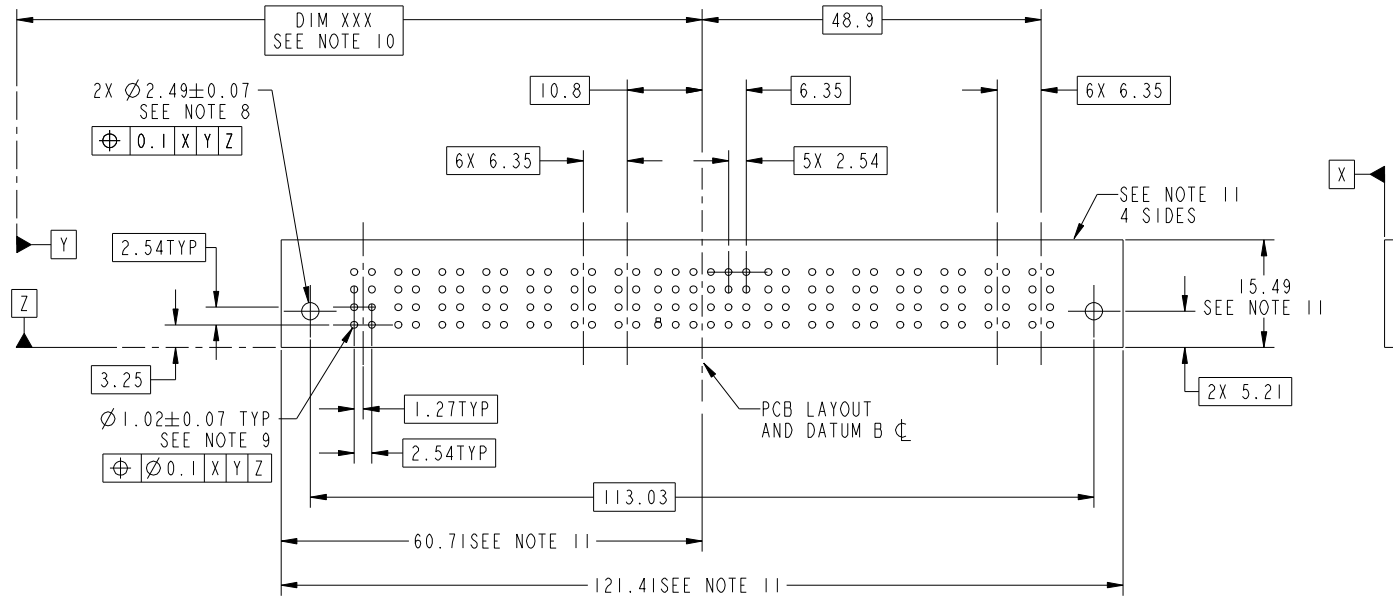
Pro/E

Tous droits strictement réservés. Reproduction ou communication a des tiers interdite sous quelque forme que ce soit sans autorisation écrite du propriétaire. Propriété de c FCI. Droits de reproduction FCI.



All rights strictly reserved. Reproduction or issue to third parties in any form whatever is not permitted without written authority from the proprietor. Property of FCI. Copyright FCI.

PRODUCT NUMBER
51750-089__
NOTE: 3



mat'l code				tolerances unless otherwise specified		CUSTOMER		FCI	
ltr	ecn no.	dr	date	linear	0.X ± 0.5	COPY		www.fciconnect.com	
A					0.XX ± 0.25	projection		title	
				angles	0.XXX ± 0.1			7P + 24S + 7P VERTICAL PRESS-FIT RECEIPT	
				dr	0° ± 2°	MIM		product family PwrBlade code	
				enr	JULIA WANG 10/30/08	scale		size	
				chr	JEROME CHEN 10/30/08	1:1		dwg no	
				appd	GARY HSIEH 10/30/08	A		51750-089	
					JOSEPH HSIA 10/30/08			sheet	
sheet index	revision sheet							3 of 4	

cage code 22526

Pro/E

Tous droits strictement reserves. Reproduction ou communication a des tiers interdite sous quelque forme que ce soit sans autorisation écrite du propriétaire. Propriete de c FCI. Droits de reproduction FCI.



All rights strictly reserved. Reproduction or issue to third parties in any form whatever is not permitted without written authority from the proprietor. Property of FCI. Copyright FCI.

PRODUCT NUMBER
51750-089--
NOTE: 3

NOTES:

1. DIMENSIONS AND TOLERANCES ARE IN ACCORDANCE WITH ASME Y14.5M, 1994 UNLESS OTHERWISE SPECIFIED.

CONNECTOR NOTES:

- 2 HOUSING MATERIAL: UL 94 V-0 GLASS FILLED HIGH-TEMP THERMOPLASTIC
POWER CONTACT MATERIAL: COPPER ALLOY
SIGNAL PIN MATERIAL: COPPER ALLOY
- 3. PLATING SPEC.
SEE ITEM 7 & 8 IN PRINT 10068143 FOR PLATING SPEC OF 51750-089, 51750-089LF RESPECTIVELY.
- 4 MANUFACTURER'S NAME, P/N, AND DATE CODE TO APPEAR ON THIS SURFACE.
- 5. PRODUCT SPECIFICATION GS-12-149.
APPLICATION SPECIFICATION BUS-20-067.
- 6. PACKAGED IN TRAYS.
PCB NOTES:
7. ALL HOLE DIAMETERS ARE FINISHED HOLE SIZE.
- 8 MOUNTING HOLES, WHERE APPLICABLE, ARE UNPLATED.
- 9 $\varnothing 1.151 \pm 0.025$ DRILLED HOLES PLATED WITH
0.008 MIN SnPb OR Sn OVER 0.03
TO 0.08 Cu PLATING TO ACHIEVE
 $\varnothing 1.02 \pm 0.07$ HOLE.
- 10 "DIM XXX" TO BE DETERMINED BY THE CUSTOMER.
- 11 CONNECTOR KEEP-OUT ZONE.
- 12. THE VOID CORING IN BETWEEN POWER MODULES, SIGNAL MODULES AND END MODULES ARE OPTIONAL AND THE SHAPE MAY BE DIFFERENT FOR OPTIMIZE THE MOLDING PROCESS. THE VOID CORING WILL NOT EFFECT TO PRODUCT FUNCTION.

mat'l code				tolerances unless otherwise specified		CUSTOMER		FCI		www.fciconnect.com	
ltr	ecr no.	dr	date	linear	0.X ± 0.5		COPY		projection	title	
A					0.XX ± 0.25		MIM			7P + 24S + 7P	
					0.XXX ± 0.1		← MIM →			VERTICAL PRESS-FIT RECEPT	
				angles	0° + 2°		scale		product family		
				dr	JULIA WANG	10/30/08	1:1		PwrBlade		
				enr	JEROME CHEN	10/30/08	A		code		
				chr	GARY HSIEH	10/30/08			size		
				appd	JOSEPH HSIA	10/30/08			dwg no		
sheet index		revision sheet						51750-089		213	
								4 of 4			

cage code 22526

Pro/E