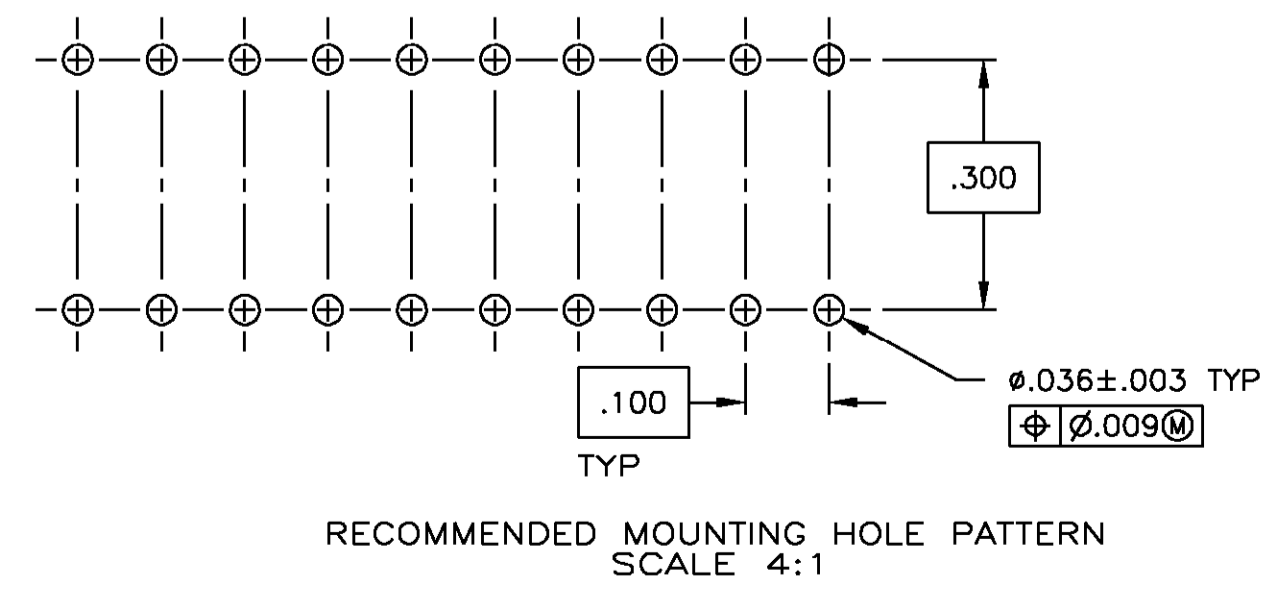
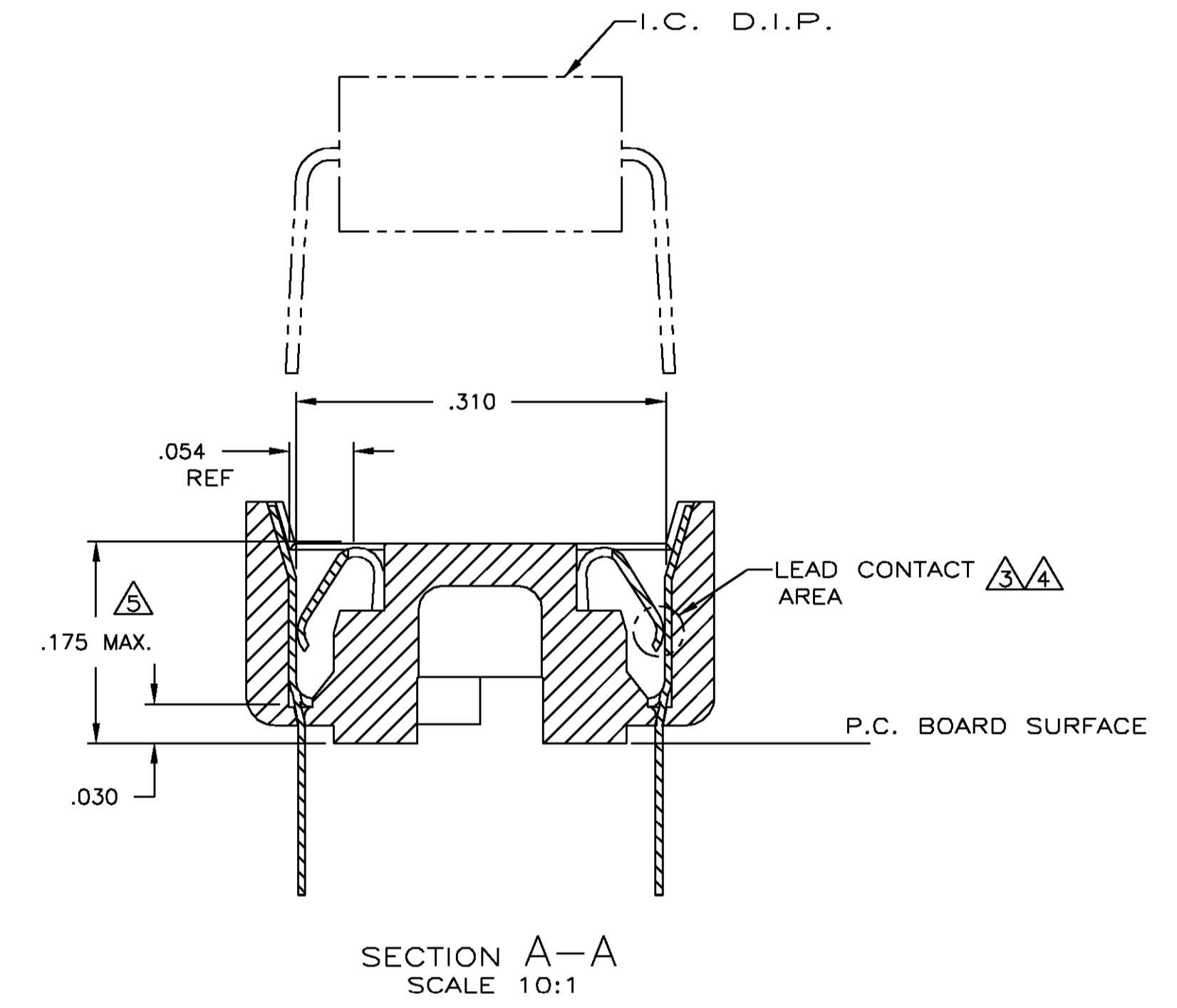
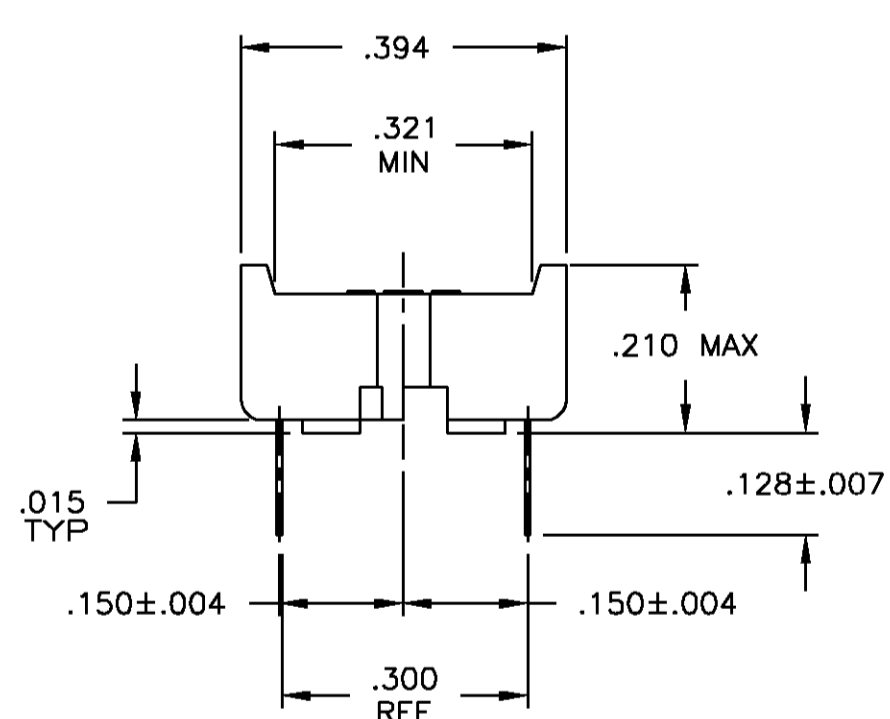
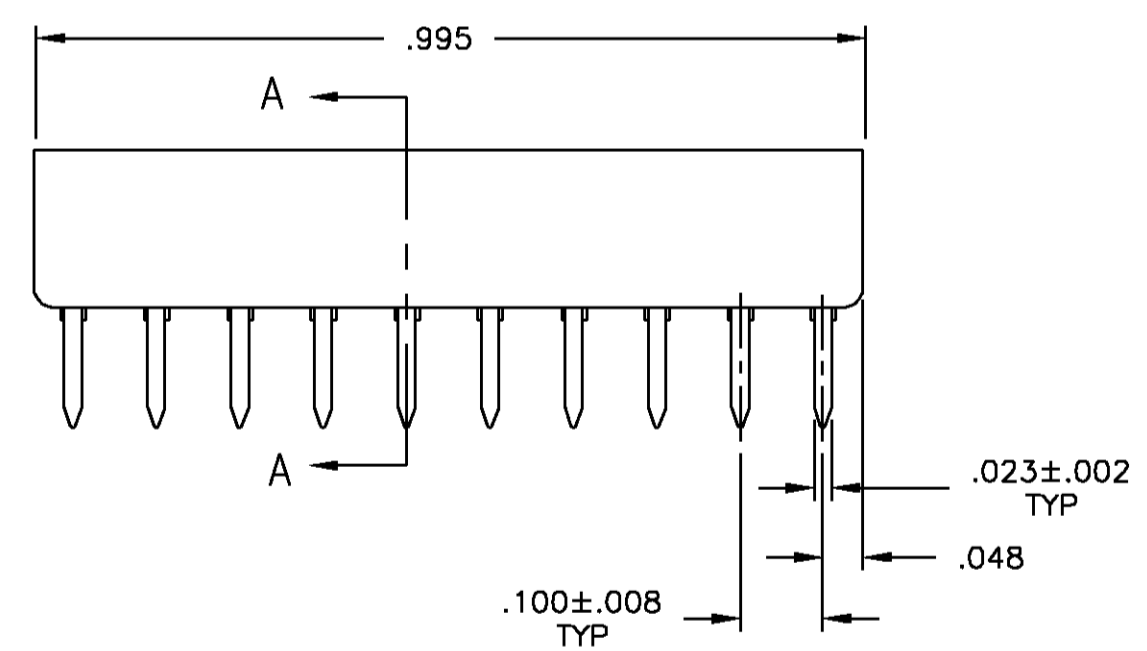
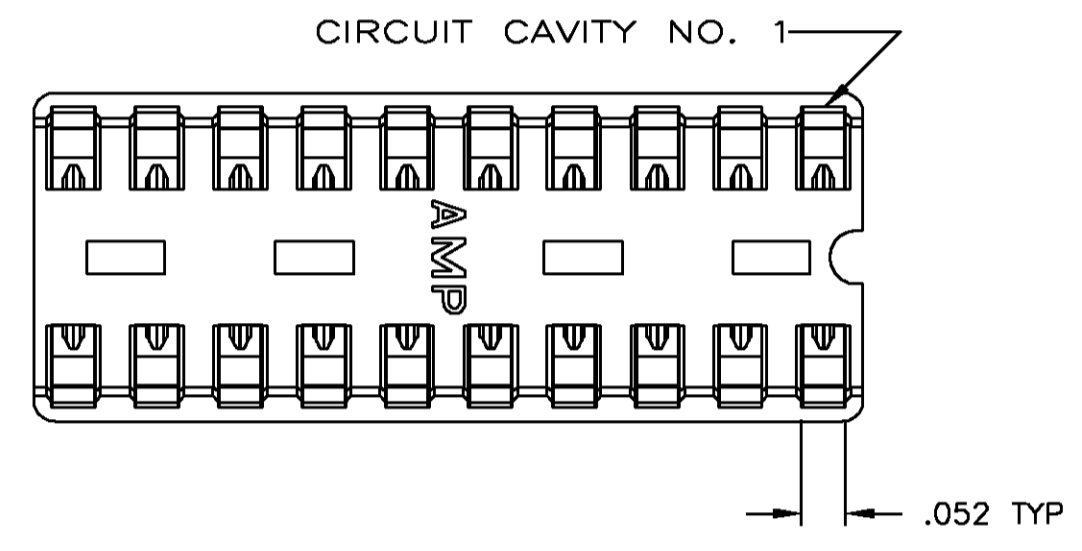


- RECEPTACLE ACCEPTS A .008-.014 THICK I.C. LEAD.
- TUBE LOADED FOR AUTOMATIC INSERTION.
- TWO .000030 MIN THK. GOLD STRIPES IN CONTACT AREA WITH TIN-LEAD (93/7) ON CONTACT LEGS, BALANCE OF CONTACT NICKEL PLATED.
- TWO .000015 MIN THK. GOLD STRIPES IN CONTACT AREA WITH TIN-LEAD (93/7) ON CONTACT LEGS, BALANCE OF CONTACT NICKEL PLATED.
- MAXIMUM DIMENSION FOR I.C. SEATING PLANE.



|                   |   |                    |  |            |
|-------------------|---|--------------------|--|------------|
| SUPSD BY 390261-6 | △ | PHOS.BRZ. .006 THK | GLASS-FILLED THERMOPLASTIC, 94V-0, BLACK | 2-640464-4 |
| SUPSD BY 390261-6 | △ | TINNED             | GLASS-FILLED THERMOPLASTIC, 94V-0, BLACK | 2-640464-3 |
| SUPSD BY 390261-6 | △ | BE.CU. .006 THK    | GLASS-FILLED THERMOPLASTIC, 94V-0, BLACK | 2-640464-2 |
| SUPSD BY 390261-6 | △ | TINNED             | GLASS-FILLED THERMOPLASTIC, 94V-0, BLACK | 2-640464-1 |

| CONTACT FINISH | CONTACT MAT'L      | HOUSING MATERIAL                         | PART NO.   |
|----------------|--------------------|--|------------|
| △              | PHOS.BRZ. .006 THK | GLASS-FILLED THERMOPLASTIC, 94V-0, BLACK | 2-640464-4 |
| △              | TINNED             | GLASS-FILLED THERMOPLASTIC, 94V-0, BLACK | 2-640464-3 |
| △              | BE.CU. .006 THK    | GLASS-FILLED THERMOPLASTIC, 94V-0, BLACK | 2-640464-2 |
| △              | TINNED             | GLASS-FILLED THERMOPLASTIC, 94V-0, BLACK | 2-640464-1 |

|  |                   |  |  |  |
|--|-------------------|--|--|--|
| THIS DRAWING IS A CONTROLLED DOCUMENT. |                   | DRW: M.CYRUS 2-20-87                   | Tyco Electronics Corporation<br>Harrisburg, PA 17105 |  |
|  |                   | CHK: R.MILLER 2-20-87                  | <b>AMP</b>   |  |
|  |                   | APP'D: J.LAMBERT 2-20-87               | SOCKET ASSY, DIP, 20 POS,<br>DIPLOMATE DL            |  |
| DIMENSIONS: INCHES                     |                   | TOLERANCES UNLESS OTHERWISE SPECIFIED: | SIZE: A1   |  |
| 0 PL                                   | ± .005            | ANGLES                                 | CAGE CODE: 00779                                     |  |
| 1 PL                                   | ± .005            |  | DRAWING NO: 640464                                   |  |
| 2 PL                                   | ± .005            |  | RESTRICTED TO  |  |
| 3 PL                                   | ± .005            |  | SCALE: 5:1   |  |
| 4 PL                                   | ± .005            |  | SHEET 1 OF 1   |  |
| MATERIAL: SEE TABLE                    | FINISH: SEE TABLE | WEIGHT: --                             | REV: Y   |  |
| CUSTOMER DRAWING                       |                   |  |  |  |