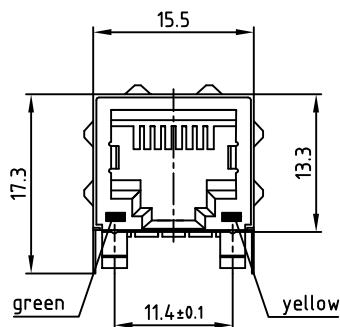
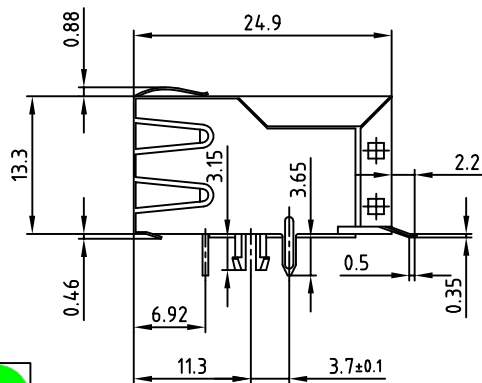
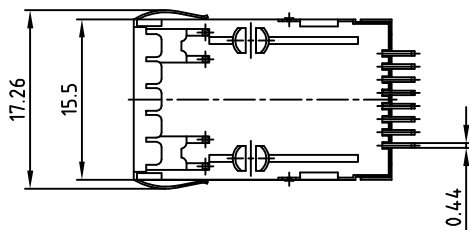
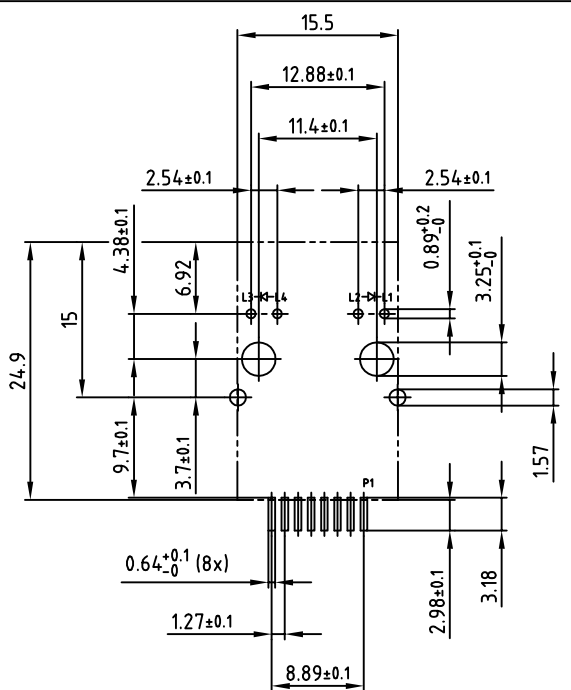


used for: RJ 45



Directive 2002/95/EC
"RoHS"
Compliant



P.C.B. HOLE DRILLINGS

NOTES:

1. HOUSING MATERIAL: GLASS FILLED NYLON 46, BLACK
2. SHIELD MATERIAL: 0.2mm THICK COPPER ALLOY
3. CONTACT MATERIAL: 0.35mm THICK COPPER ALLOY
4. MATING AREA PLATING: min. 50µ" GOLD over min. 30µ" NICKEL
5. SOLDER TAILS PLATING: min. 90µ" TIN/LEAD over min. 30µ" NICKEL
6. LED: GREEN AND YELLOW
7. INTERNAL CIRCUIT PER PORT SEE 39K1A041

APPROVAL * FREIGABE * DEBLOCAGE * AUTORIZACION * APPROVAL
CUSTOMER APPROVAL DATE:
NAME: TITLE:
COMPANY NAME:
APPROVAL * FREIGABE * DEBLOCAGE * AUTORIZACION * APPROVAL

THIS DRAWING MAY NOT BE COPIED OR REPRODUCED IN ANY WAY, AND MAY NOT BE PASSED ON TO A THIRD PARTY, WITHOUT WRITTEN PERMISSION.
OWNERSHIP AND COPYRIGHT OF CONEC Gmbh DO NOT ALTER CAD DRAWING BY HAND

rev.	description	date	name

tolerance	dim. in mm	
2002	date	name
drawn	27.11.	Parei
appd.	27.11.	Kühle
norm		
d-old		

scale: 2:1
material: SEE NOTES
title: RJ 45 MAGNETIC MODULAR JACK
1. PORT SMT-TERMINATION
fully screened, with LED
dwg no: AutoCAD 2000
39K1A049
part no: RJ45SJS11AC010X
DIN-A 3 sh:1/1

