

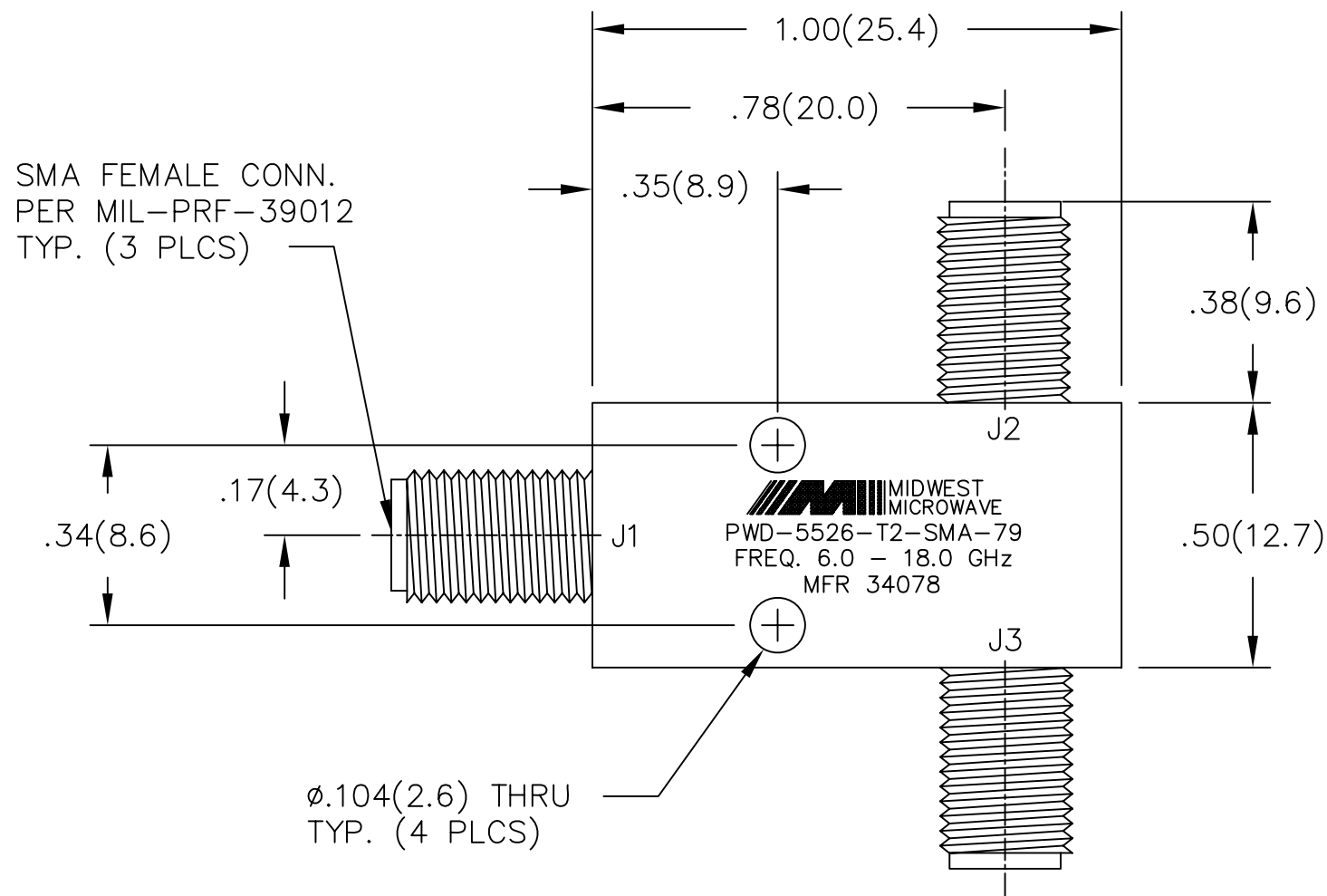
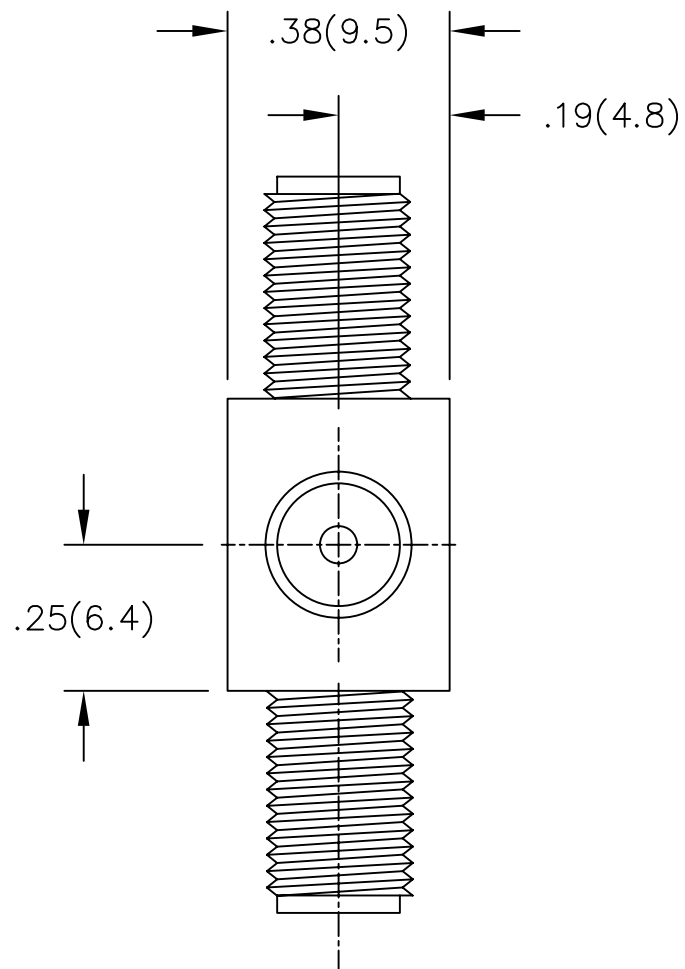
NOTES:

- 1.0 ELECTRICAL SPECIFICATIONS:
- 1.1 FREQUENCY RANGE: 6.0 to 18.0 GHz
- 1.2 INSERTION LOSS: 0.5dB
- 1.3 ISOLATION: 18dB MIN.
- 1.4 VSWR (MAX): 1.50:1
- 1.5 OUTPUT UNBALANCE:
- 1.5.1 AMPLITUDE: 0.3dB MAX.
- 1.5.2 PHASE: 5° MAX
- 1.6 MAXIMUM INPUT POWER: 3 WATTS

- 2.0 FINISH:
- 2.1 GREY PER MIL-E-15090 TYPE II ,
CLASS 2 OVER MIL-C-5541
CLASS 3A
MEETS MIL-F-14072
MEETS MIL-E-5400
- 2.2 MARKING: MARK UNIT AS SHOWN
(REF.: SLK-08062-82-04)

3.0 DIMENSIONS IN PARENTHESIS ARE
IN MILLIMETERS.

4.0 WEIGHT: 23 GRAMS MAX.



UNLESS OTHERWISE NOTED DIMENSIONS ARE IN INCHES AND TOLERANCES ARE:	FSCM NO.	34078 MIDWEST MICROWAVE	
	NOTICE: The information contained in this drawing is proprietary and must not be used without the permission of Midwest Microwave		TITLE POWER DIVIDER
3 PLACE DECIMALS ±.005	DRAWN/DATE	ENG./DATE	DRAWING NUMBER
2 PLACE DECIMALS ±.02	L.BROWN	P.GOODMAN	PWD-5526-T2-SMA-79
FRACTIONS ±1/64	10/17/97	11/20/01	
PARALLELITY: T.I.R. _____	CHECKED/DATE	APPROVED/DATE	SCALE: 3=1
FLATNESS: T.I.R. _____			SHEET 1 of 1
CONCENTRICITY: T.I.R. _____			
ANGLES AND PERPENDICULARITY: ±1°			

DATE	11/20/01
DESCRIPTION	RELEASED
REV.	-