

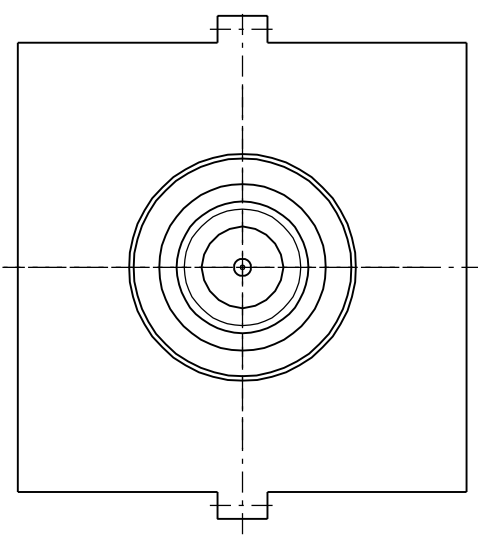
ENG. NO.

EDP NO.

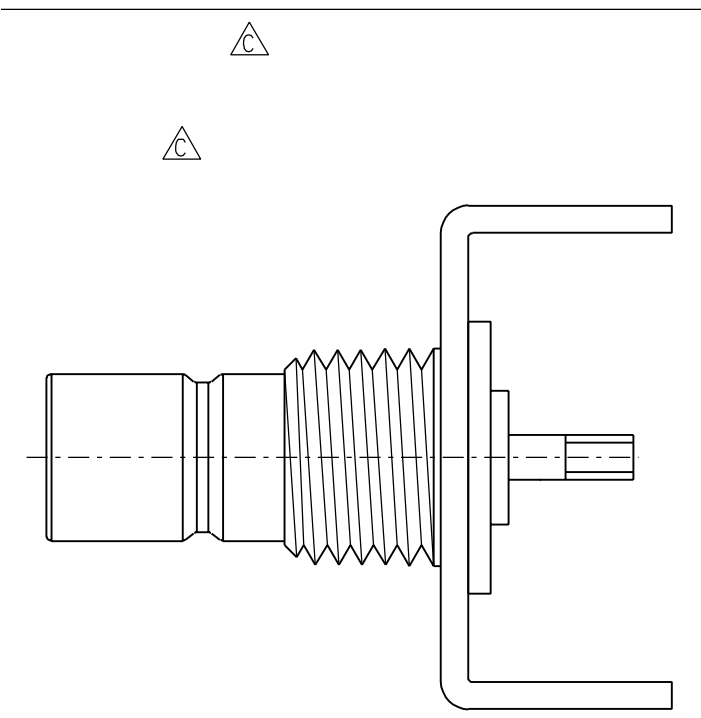
SIMILAR ITEM

CADFILE NO.

DO NOT SCALE DRAWING



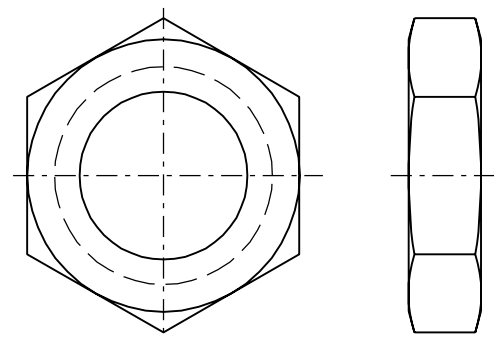
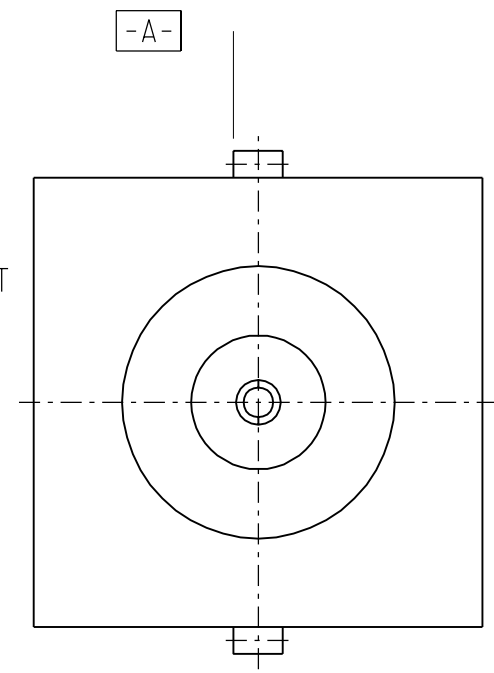
TYP.



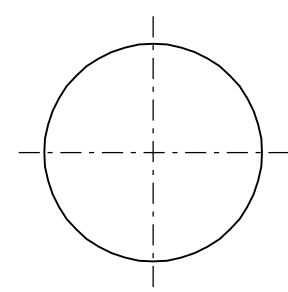
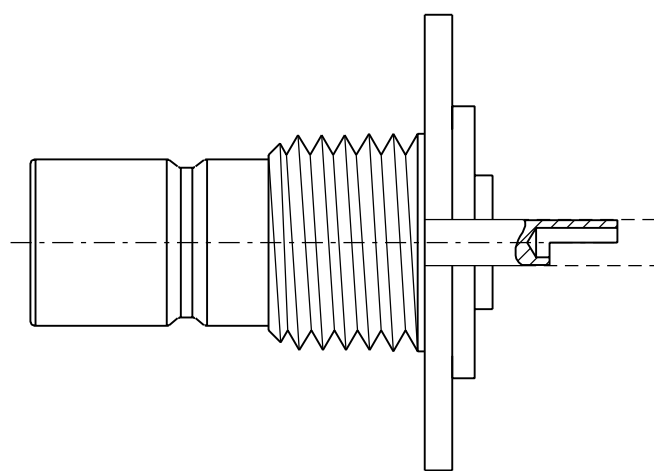
SPECIAL 75 OHM SMB JACK ASSEMBLY

SLOT ALIGNMENT

∥ A 0.15



NUT



RECOMMENDED PANEL MOUNTING HOLE
 PANEL THICKNESS: 1.775±0.025
 MOUNTING TORQUE: 7-10 INCH/POUNDS

CONSTRUCTION :

- BODY ----- BRASS
- DIELECTRIC ----- TEFLON
- CONTACT ----- BRASS
- FLANGE ----- PHOSPHOR BRONZE
- NUT ----- BRASS

FINISH:

- BODY ----- GOLD PLATING
- CONTACT ----- GOLD PLATING
- FLANGE ----- TIN PLATING (200-400)Å
- NUT ----- GOLD PLATING

MECHANICAL AND ELECTRICAL CHARACTERISTICS:

△ PER PRODUCT SPECIFICATION: PS-73598-0093
 (INSERTION LOSS IS NOT APPLICABLE)

MATERIAL AND FINISHES:

△ PER PRODUCT SPECIFICATION: PS-73598-0093

PACKAGING :

△ TRAY

					MATERIAL :		MOLEX TAIWAN LTD. (R.F. DIVISION)
					FINISH :		
					SCALE : 6:1	UNIT : mm(INCH)	
C	Chg To 2 Length Dims	0562	<i>R. Field</i>	95/7/31	DRAWN BY : <i>R. Field</i> 94/11/15		GENERAL TOLERANCES ANGLE : ± 3° DIM. ± 0.25 (±.01)
B	Chg To: TRAY PKG	0538	<i>R. Field</i>	95/3/13	CHK'D BY :		DRW. NO.: SDA-73100-0158
A	RELEASE	0503	<i>R. Field</i>	95/2/10	APPR'D BY :		REV C
LTR	REVISION RECORD	ECN	DR	DATE			TITLE : SPECIAL 75 OHM SMB STRAIGHT JACK BULKHEAD (2-LEG) PCB RECEPTACLE
STANDARD ITEM					<input type="checkbox"/> YES	<input checked="" type="checkbox"/> NO	SHEET OF