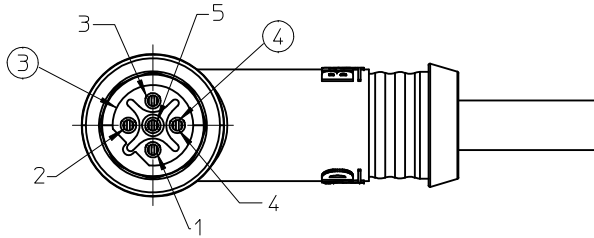
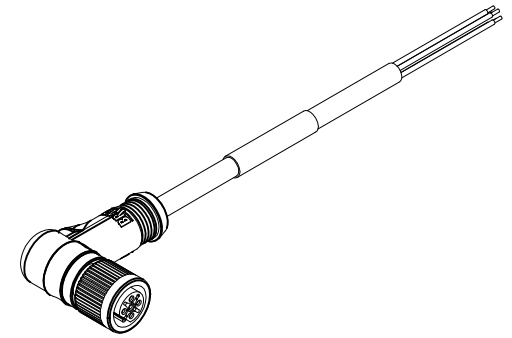
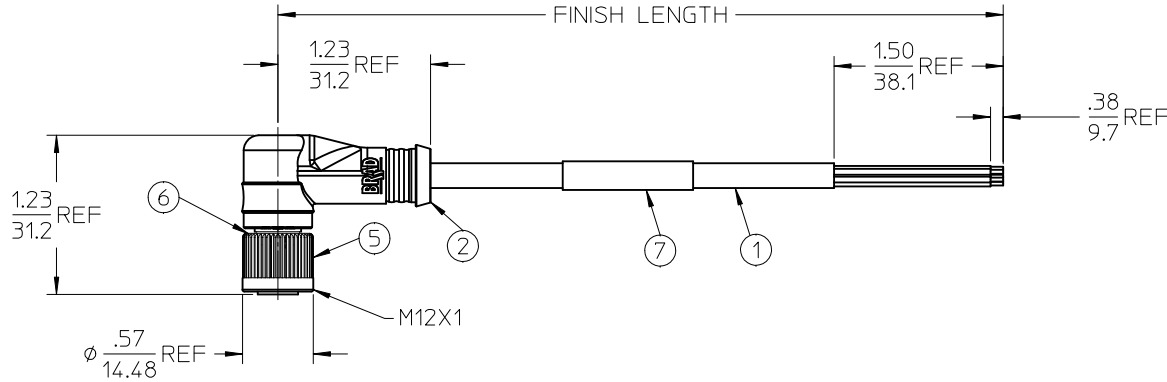


10	9	8	7	6	5	4	3	2	1
MATERIAL NUMBER	ENGINEERING NUMBER	FINISHED LENGTH							
1200390132	B05S01PP4M010	3.28' +1.75"-0 [1.0M +44.5-0]							



NOTES:

- 1) MATERIAL: SEE TABLE
- 2) FINISH:SEE TABLE
- 3) ELECTRICAL:
VOLTAGE: 250 VAC/VDC
CURRENT: 3 AMPS
24AWG TWISTED PAIR
- 4) ENVIRONMENTAL:
IP67
OPERATING TEMP: -20°C TO 80°C
- 5) ASSEMBLY IS RoHS COMPLIANT BY EXCEPTION

Partial1
Scale 2:1

WIRING CONNECTION

1	N/C
2	GREEN (A LINE)
3	N/C
4	RED (B LINE)
5	DRAIN LINE

7	LABEL	MYLAR	BLACK/YELLOW
6	O-RING	VITON	RED
5	COUPLER	BRASS	NICKEL PLATED
4	SOCKET CONTACT	COPPER ALLOY	GOLD OVER NICKEL
3	INSERT 5P	NYLON	BLACK
2	OVERMOLD	PUR	YELLOW
1	CABLE	PROFIBUS (PUR)	JACKET: PURPLE
ITEM	COMPONENT	MATERIAL	FINISH

CREATE DOC
EC NO: WNA2010-0467
DRAWN:RUPERT 2010/01/29
CHKD:B. WOODMAN 2010/01/29
APPR:J.MURPHY 2010/01/29

QUALITY SYMBOLS
▽=0
▽=0

GENERAL TOLERANCES (UNLESS SPECIFIED)	
	mm INCH
4 PLACES	± .005 ± .0002
3 PLACES	± .005 ± .0002
2 PLACES	± .005 ± .0002
1 PLACE	± .005 ± .0002
ANGULAR ±1/2°	
DRAFT WHERE APPLICABLE MUST REMAIN WITHIN DIMENSIONS	

DIMENSION STYLE	
IN/MM	
DRAWN BY	DATE
BW	2009/07/27
CHECKED BY	DATE
VO	2009/07/28
APPROVED BY	DATE
JM	2009/07/28
MATERIAL NO.	
SEE CHART	

SCALE	DESIGN UNITS	THIRD ANGLE PROJECTION
1:1	INCH	☉ □
TITLE		
MMC-5P-AC(E)-FE-90 PROFIBUS		
MOLEX INCORPORATED		
MATERIAL NO.	DOCUMENT NO.	SHEET NO.
	SD-120039-003	1 OF 1
THIS DRAWING CONTAINS INFORMATION THAT IS PROPRIETARY TO MOLEX INCORPORATED AND SHOULD NOT BE USED WITHOUT WRITTEN PERMISSION		