
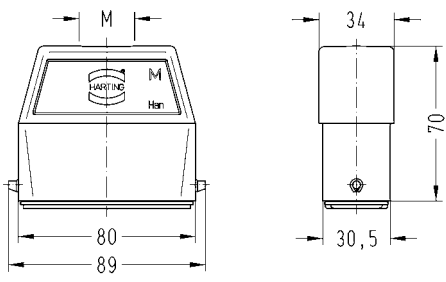

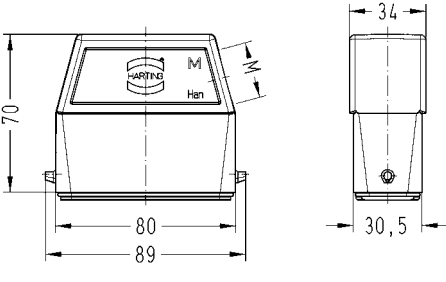

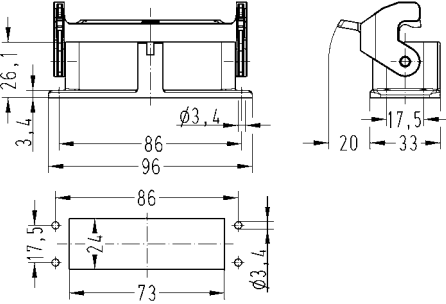


Hoods/Housings for higher EMC requirements
single locking lever

Identification	Cable entry	Part number	Drawing Dimensions in mm
Han® EMV, Hoods, top entry 	1xM25	19 62 025 0446	
Han® EMV, Hoods, side entry 	1xM25	19 62 025 0546	
Han® EMV, Bulkhead mounted housings, Han-Easy Lock® 		09 62 025 0301	 <p>Panel cut out</p>

Hoods
Housings