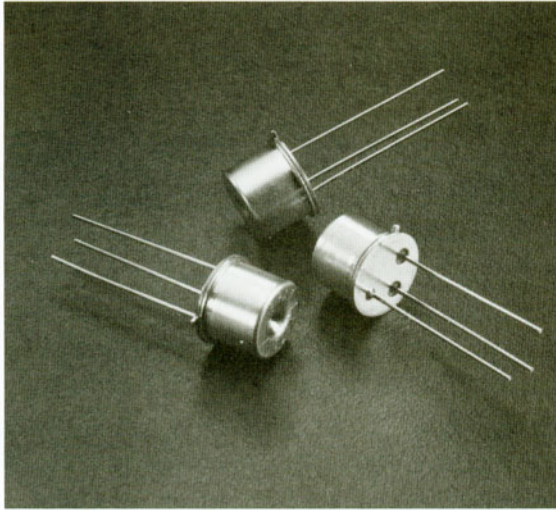


SERIES 3600/3601 TO-5 THERMAL SWITCHES

Typical Applications:

Printed Circuit Boards

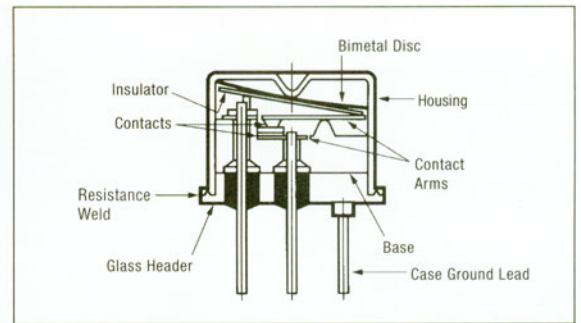
Logic Level or Dry Circuit Applications



The Series 3600/3601 of TO-5 Switches are single-pole, single-throw, bimetal snap-action switches available to open or close on temperature rise. These quality-engineered devices are specifically designed for mounting on printed circuit boards to protect against hazardous temperatures associated with the thermal density of components on backplanes, flexible circuitry and sophisticated time-based circuits.

The Series 3600/3601 is packaged in a standard JEDEC TO-5 transistor housing with .75" length (19mm), .018" (457mm) diameter leads. These devices represent the first hermetically sealed switches in a TO-5 package that is wave solderable for increased labor efficiency.

To insure that a safe combination of thermostat and application is achieved, the purchaser must determine product suitability for their individual requirements.



Series 3600/3601

LIFE CYCLES	28VDC/AC	5VDC/AC
10,000	1.0A	5.0mA

mA: milliAmps

A: Amps

Consult Elmwood Sensors for additional ratings.

Key Features:

- *Hermetically Sealed*
- *Wave solderable TO-5 package*
- *Electrical Rating to 1 Amp Resistive*
- *No Power Budget*
- *Ambient and Surface Sensing*
- *Single-Pole, Single-Throw (SPST)*
- *Pre-set and Tamperproof*
- *Variety of Mounting Brackets Available*
- *Patent Number 4367452*

SERIES 3600/3601 TO-5 THERMAL SWITCHES

Standard Temperature Characteristics

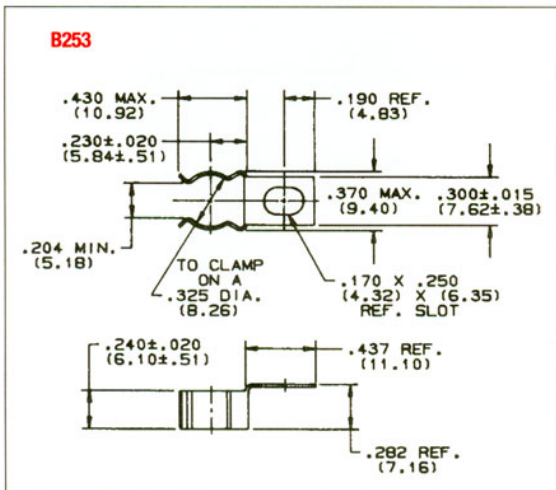
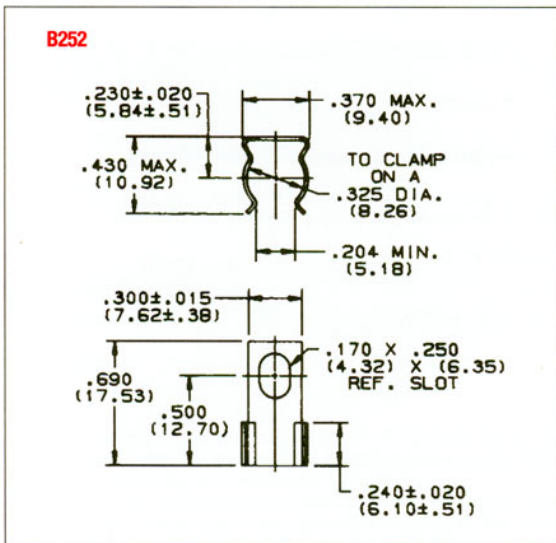
Series	Available Operating Temps.	Contact Action	Set Point Tolerance
3600	(40°-120°C)	Open on Rise	±5°C
3601	(40°-120°C)	Close on Rise	±7°C

Operating temperatures are available in 5°C increments between 40°C and 120°C. Standards 3600/3601 Series are available from stock. Consult factory for price categories.

Operating Parameters

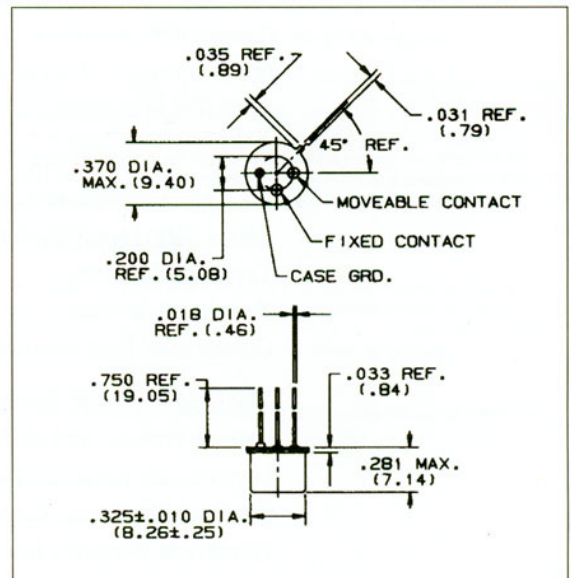
Dielectric Strength	500 VAC 60 Hz for One Second - Terminal to Case
Insulation Resistance	20 Megohms at 500 VDC
Environmental Exposure	-58° to 302°F (-50° to 150°C)
Operating Temp. Range	104° to 248°F (40° to 120°C)
Contact Resistance	60 Milliohms
Hermetic Seal	1x10 ⁻³ Atm cc/sec
Weight	1.6 Grams (Brackets and wire leads not included)
Materials	Base: Nickel Terminals: Nickel Iron Alloy Copper Core Closure: Hermetically Sealed Brackets: Phosphor Bronze Contacts: WE-1 Gold Cross Point

3600/3601 - Brackets



Note: 1. Bracket thickness .018±.004 (.46±.10) unless specified.
2. Decimal Tolerance ±.010 (.25) unless specified.
3. All dimensions in () are in mm's.

3600/3601 - Terminal



Note: All dimensions in () are in mm's.