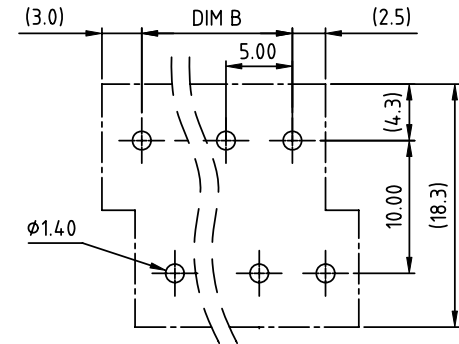
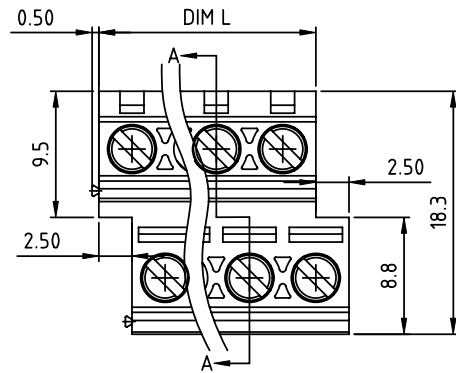


PRODUCT NUMBER	PITCH
YSxx01x000J0G	5.00 mm



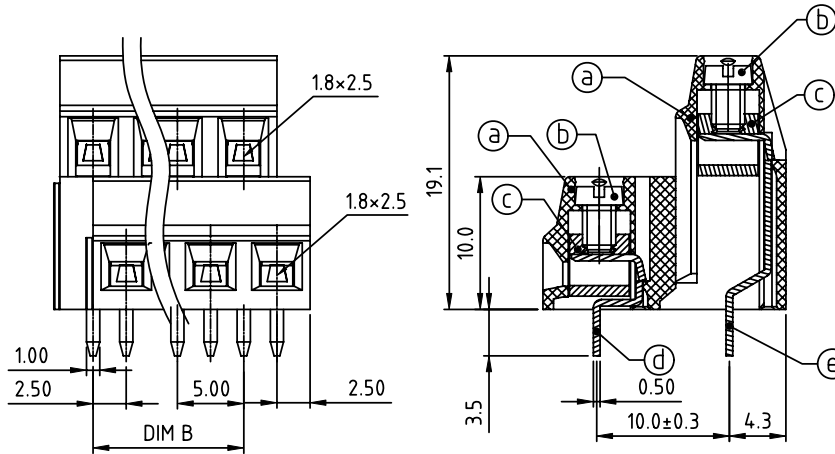
RECOMMENDED P.C.B LAYOUT
TOP VIEW

Material:

- ItemⒶ Terminal housing :Thermoplastic (UL94V-0)
- ItemⒷ Terminal screw : Steel Zinc plating "-" slot type
- ItemⒸ Clamp : Brass, Ni plated
- ItemⒹ Solder pin1 : Brass, Tin plated
- ItemⒺ Solder pin2 : Brass, Tin plated

Electrical cULus

- Voltage rating: 300V
- Current rating: 10A
- Torque(Lb-In): 3.5
- Screw: M3.0
- Wire range:
- Solid wire(AWG): 16-26
- Stranded wire(AWG): 16-26
- Wire strip length: 6-7mm
- Withstanding Voltage:1.6kv
- Operating temperature: -40°C to +115°C
- Soldering temperature: 260°C±5°C/5 Sec
- Safety Approval: cULus



SECTION A-A

PART NO.: YS xx 0 1 x 0 00J0 G

DIMENSION

Dim L	N/2x5.0
Dim B	(N/2-1)x5.0

N=Number of poles

Poles	Tolerance
2x2p~2x6p	±0.15
2x7p~2x12p	±0.25
2x13p~2x18p	±0.35
2x19p~2x24p	±0.45

End stackable	0	Color	Black (RAL9005)	RoHS compliant (lead<4%)
No. of poles	2		Red (RAL3001/D)	In copper Alloy
04 2x2 poles	3		Orange(RAL2011/P)	
06 2x3 poles	4		Yellow(RAL1018/A)	
...	...		Green(RAL6018/T)	
48 2x24 poles	6		Blue (RAL5015/A)	
	8		Grey(RAL7035/D)	
	9		White(RAL1102)	
	C		Green(RAL6018/U)	

mat'l. code	surface ASME Y14.5 ✓	tolerance ASME Y14.5	projection	product family
ltr	ecn no	dr	date	TERMINAL BLOCK
				title
				TERMINAL BLOCK
				scale
				sheet 1 of 1 size
				YSxx01x000J0G
				A4
				CUSTOMER Drawing
sheet index	revision sheet	A	1	