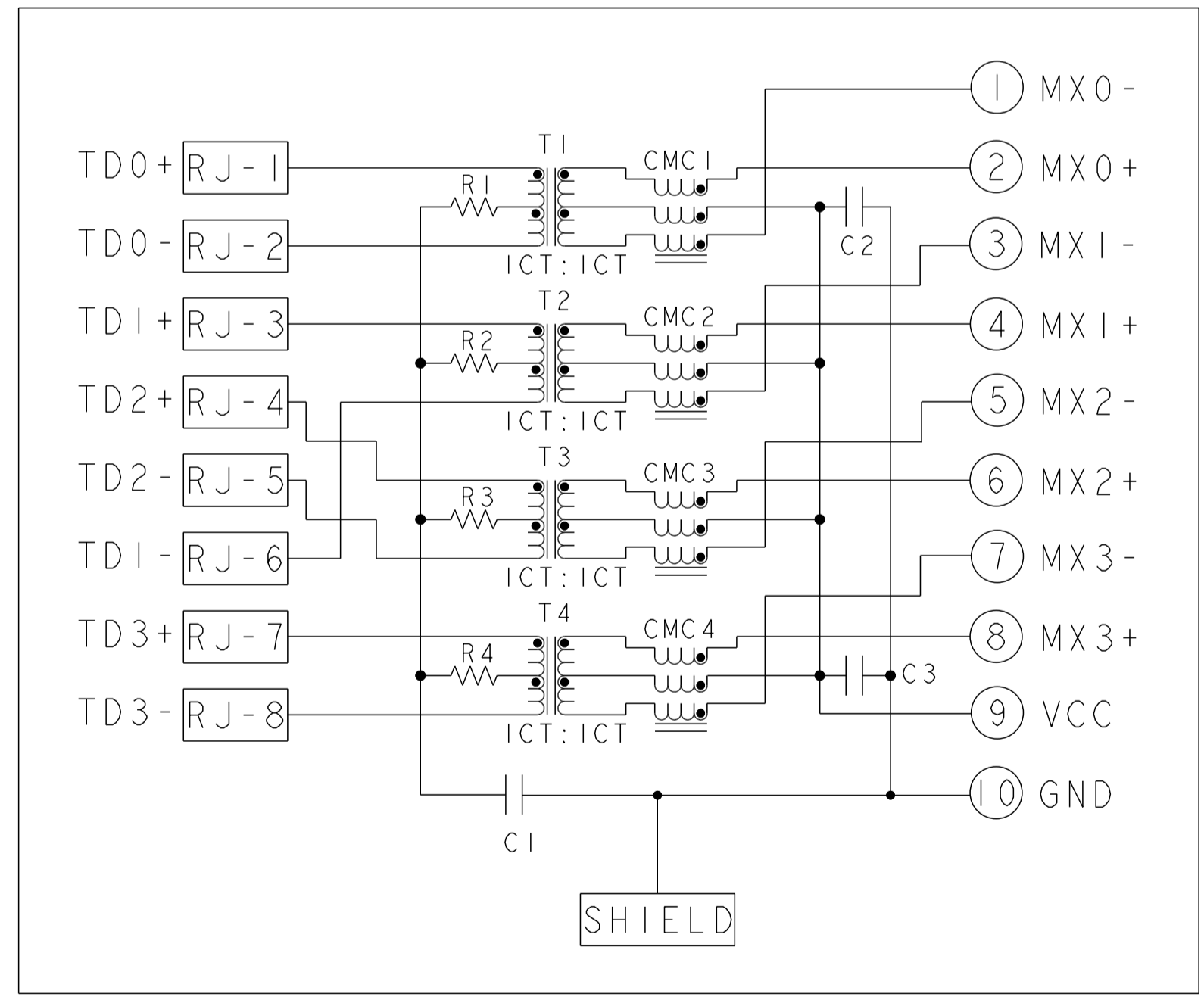


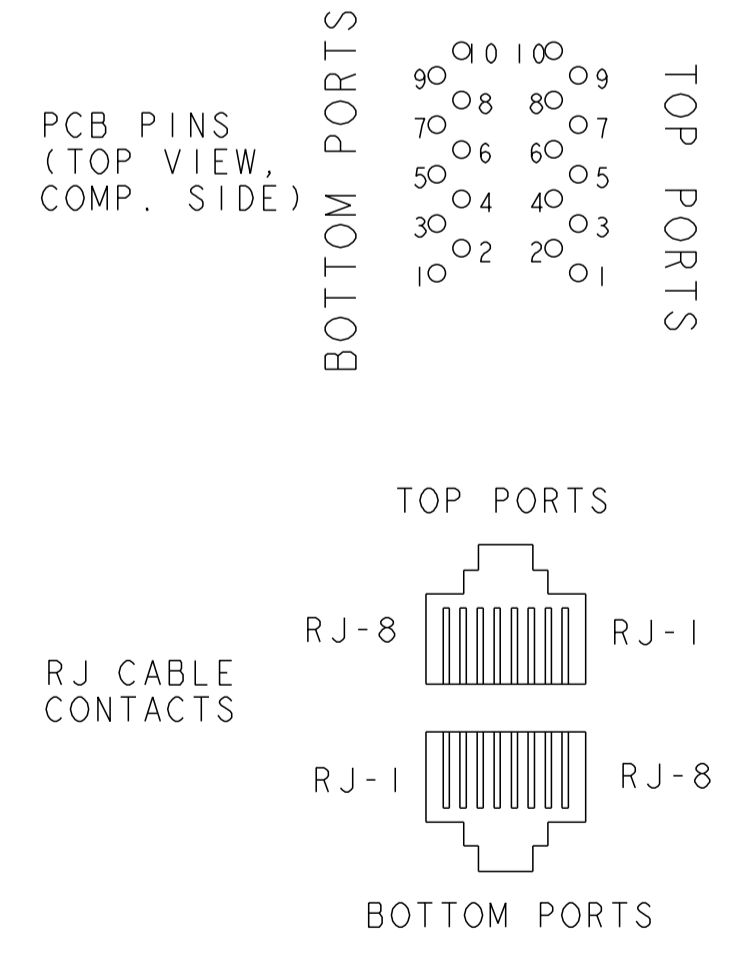
S8G56 GIGABIT CIRCUIT

TOP AND BOTTOM PORTS



C1 = 1000pF, 2kV CAPACITOR
C2 - C3 = 10nF, 50V CAPACITORS
R1 - R4 = 75 Ohms, 1/16W, RESISTORS

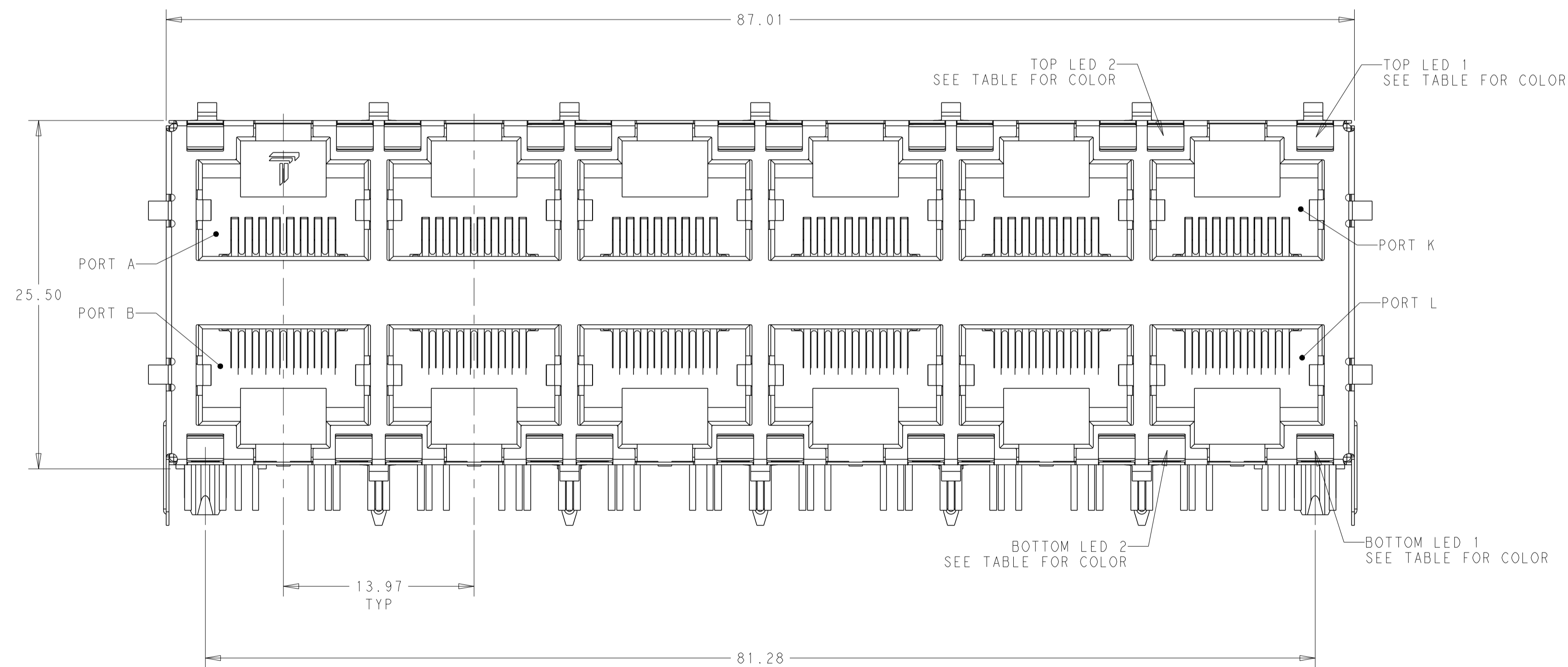
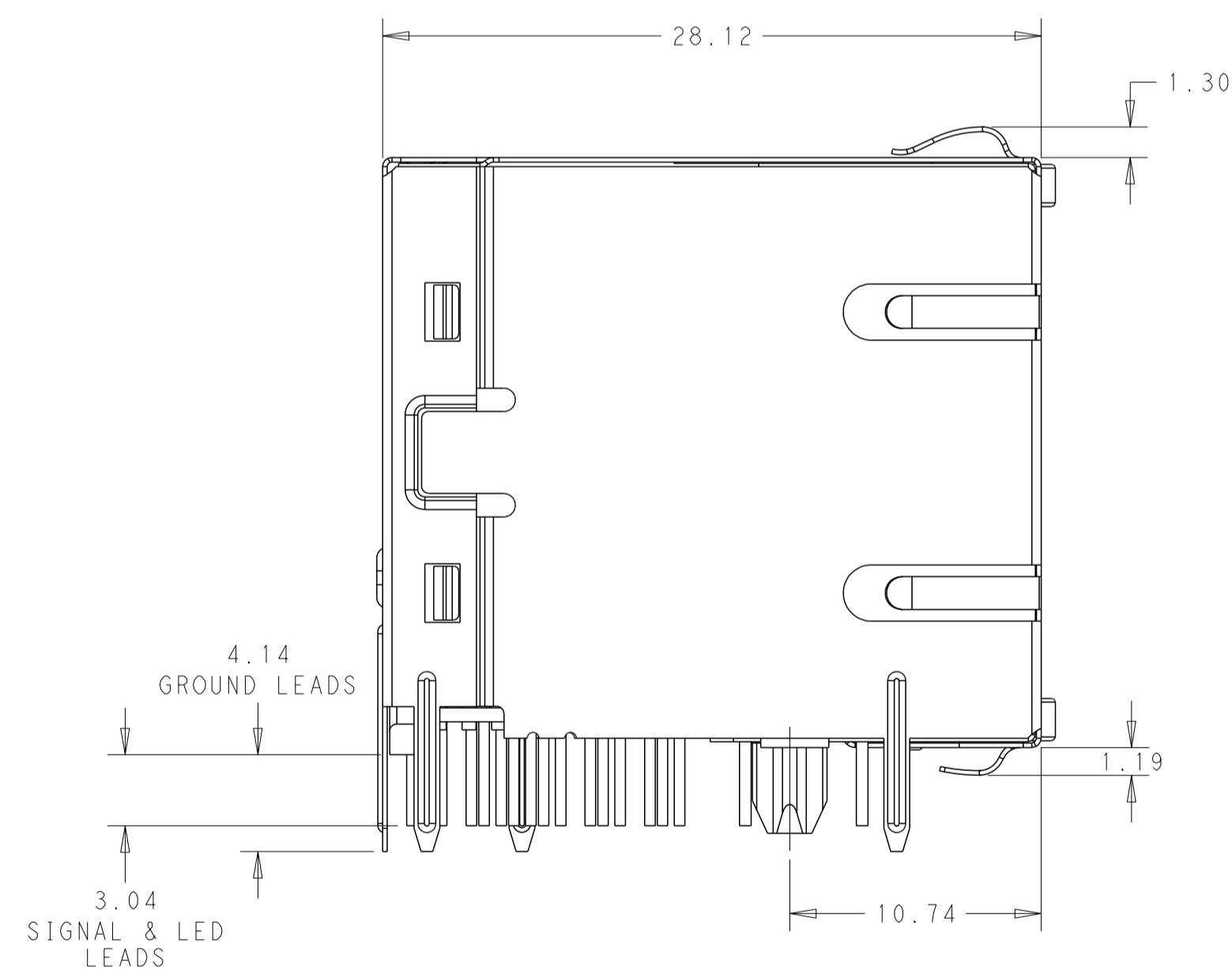
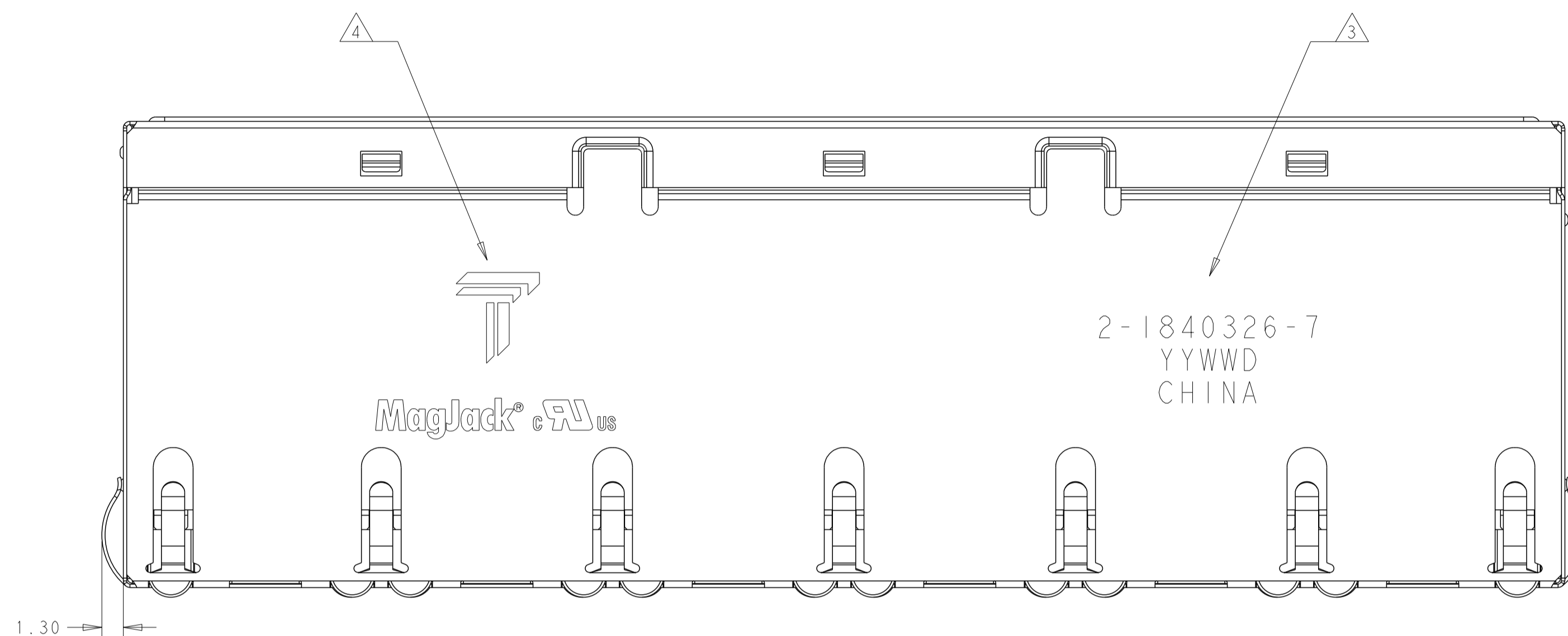
PIN DESIGNATIONS
(REPEAT FOR EACH VERTICAL PAIR OF PORTS.)


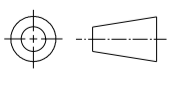


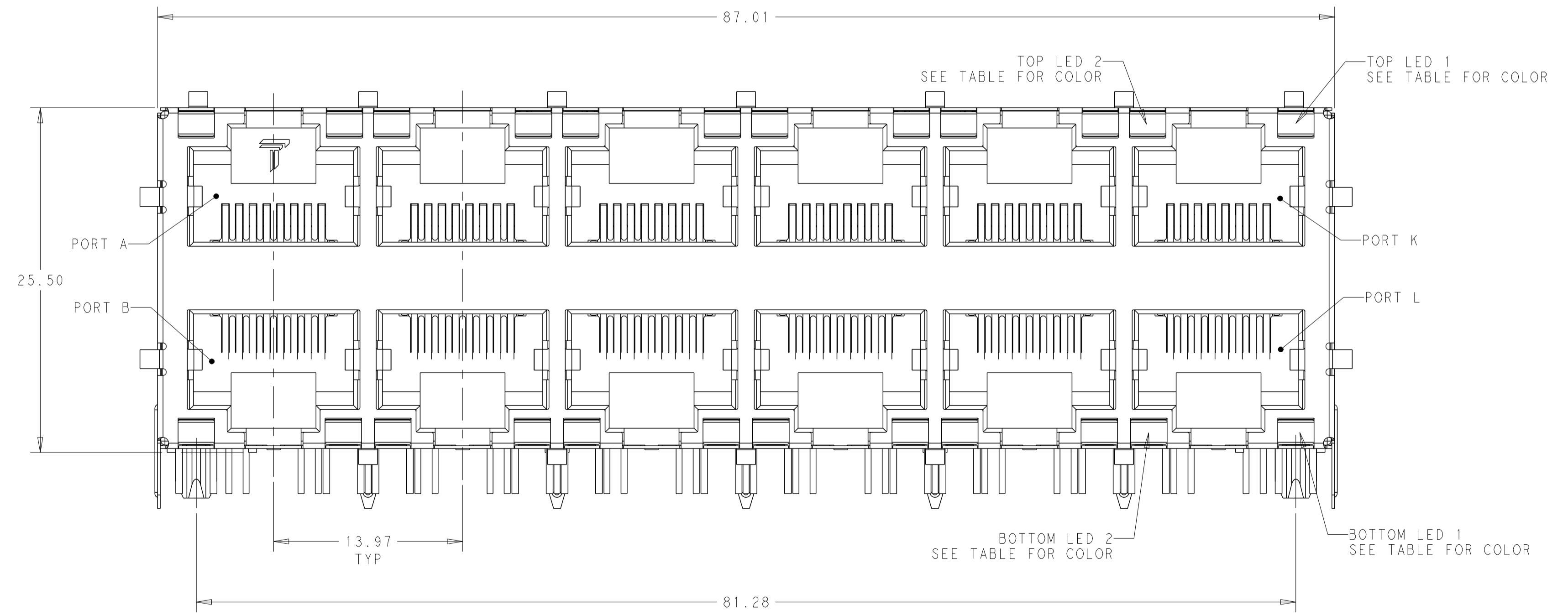
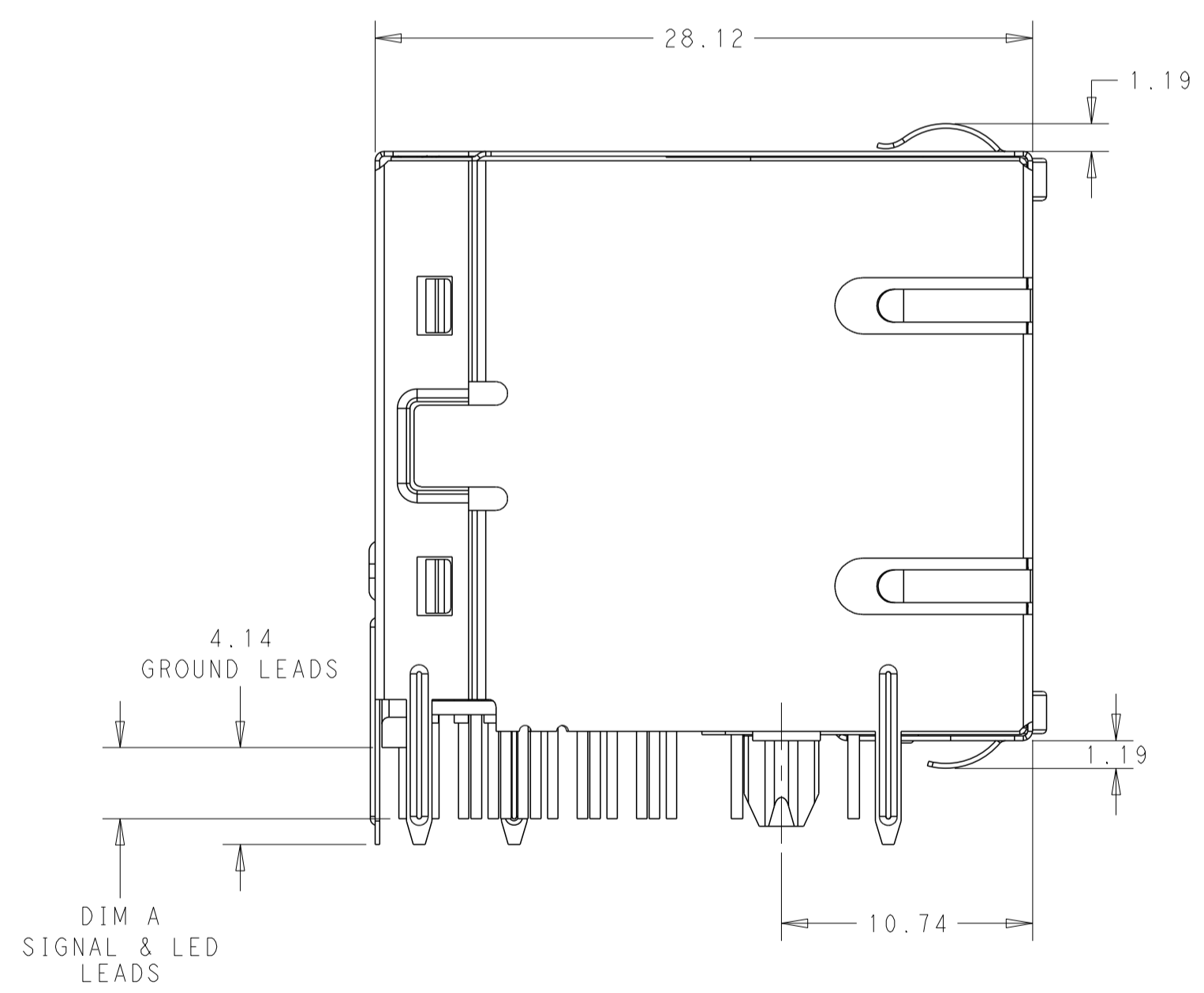
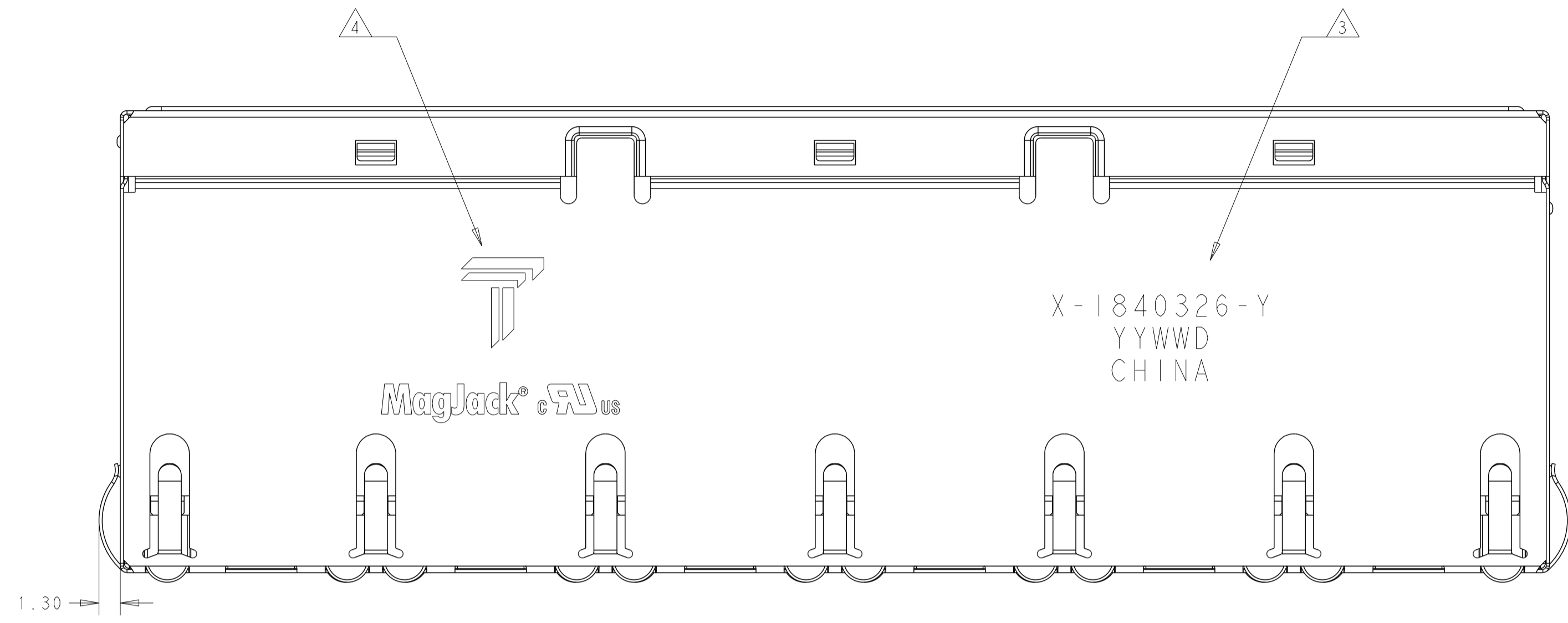
- MATERIALS:**
 PLASTIC HOUSING: BLACK, THERMOPLASTIC FLAMMABILITY RATING UL 94V-0
 SHIELD: BRASS, PREPLATED WITH 0.76um MIN SEMI-BRIGHT NICKEL, POST DIPPED WITH 2.54um MIN SAC SOLDER ON SOLDER TAILS,
 CONTACTS: PHOSPHOR BRONZE, 1.27um MIN OVERALL NICKEL UNDERPLATE, WITH SELECT 0.05um MIN GOLD OVER 0.76um MIN PALLADIUM-NICKEL AT MATING INTERFACE AND 2.54um MIN MATTE TIN ON SOLDER TAILS.
 LED: DIFFUSED EPOXY LENS, CARBON STEEL LEAD FRAME TAILS OF LED ARE PREPLATED WITH 2.03um MIN SILVER OVER 1.02um MIN NICKEL UNDERPLATE OVER 1.02um MIN COPPER UNDERPLATE. POST-PLATED WITH 2.54um MIN MATTE TIN AND/OR SAC SOLDER DIP OR PURE TIN SOLDER DIP
 ALL PC BOARDS: HIGH TEMPERATURE PCB, TG>170°C
- MAGNETICS**
 APPLICATION: 10/100/1000 BASE-T
 IMPEDANCE: 100 OHMS
 TURNS RATIO (CHIP:CABLE): 1:1 ALL FOUR PAIRS
 OPEN CIRCUIT INDUCTANCE (OCL): 350uH MIN @100kHz, 0.1VRMS, 8mADC BIAS FROM 0°C TO 70°C, ALL FOUR PAIRS
 ALL FOUR PAIRS BI-DIRECTIONAL
 PERFORMANCE @ 25°C:
 INSERTION LOSS (IL): 1.1dB MAX FROM 0.5MHz TO 100MHz
 RETURN LOSS (RL): 18dB MIN FROM 0.5MHz TO 40MHz
 12-20LOG(f/80)dB MIN FROM 40.1MHz TO 100MHz
 CROSSTALK ATTENUATION: 35dB MIN FROM 0.5MHz TO 40MHz
 33-20LOG(f/50)dB MIN FROM 40.1MHz TO 100MHz
 COMMON MODE REJECTION RATIO (CMRR): 30dB MIN FROM 0.5MHz TO 100MHz
 ISOLATION VOLTAGE: 2250VDC(MAX) FOR 60 SECONDS WITH A RISE TIME OF 500V/SEC AND WITH ALL PORTS CONNECTED.
- PART NUMBER, DATE CODE AND COUNTRY OF ORIGIN ARE LOCATED IN APPROXIMATE AREA SHOWN. DATE CODE: YYWW WHERE "YY" IS YEAR, "WW" IS WEEK, "D" IS DAY OF WEEK, WITH SUNDAY=1.
- TRP LOGO AND AGENCY APPROVAL LOGO ARE LOCATED IN APPROXIMATE AREA SHOWN.
- OPERATING TEMP: FROM 0°C TO +70°C.
- RJ45 CAVITY CONFORMS TO FCC RULES AND REGULATION PART 68 SUBPART F.
- INDICATED MAGNETIC CONNECTIONS ARE SYMMETRICAL AND SUPPORT AUTO-MDI/MDIX.
- DATUM AND BASIC DIMENSION ESTABLISHED BY CUSTOMER.
- BASIC DIMENSION ESTABLISHED BY CUSTOMER, BUT MAY NOT BE GREATER THAN 5.08mm.
- LEDS ARE DRIVEN WITH CONSTANT CURRENT AT APPROX 20mA
 LED COLOR: DOMINANT WAVELENGTH (λD): GREEN 568 nm TYP. @ IF=20mA
 FORWARD VOLTAGE (VF): GREEN 2.2V TYP. @ IF=20mA
 DOMINANT WAVELENGTH (λD): ORANGE 605 nm TYP. @ IF=20mA
 FORWARD VOLTAGE (VF): ORANGE 2.1V TYP. @ IF=20mA
 DOMINANT WAVELENGTH (λD): YELLOW 588 nm TYP. @ IF=20mA
 FORWARD VOLTAGE (VF): YELLOW 2.1V TYP. @ IF=20mA
- THE PARTS ARE RECOMMENDED FOR WAVE SOLDERING PROCESS, PEAK TEMPERATURE 260°C MAX, 10 SECONDS MAX.


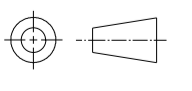
SEE SHEET 3	2.40	GRN/YEL	GRN/YEL	GRN/YEL	GRN/YEL	3-1840326-4
SEE SHEET 3	2.40	GREEN	GREEN	GREEN	GREEN	3-1840326-1
SEE SHEET 3	3.04	GRN/YEL	GREEN	GRN/YEL	GREEN	1840326-5
SEE SHEET 3	3.04	GRN/YEL	GRN/YEL	GRN/YEL	GRN/YEL	1840326-4
SEE SHEET 2	3.04	GRN/ORA	GRN/ORA	GRN/ORA	GRN/ORA	2-1840326-7
SEE SHEET 3	3.56	GRN/ORA	GRN/ORA	GRN/ORA	GRN/ORA	1-1840326-7
SEE SHEET 3	3.56	GRN/YEL	GRN/YEL	GRN/YEL	GRN/YEL	1-1840326-4
SEE SHEET 3	3.04	GREEN	GREEN	GREEN	GREEN	1840326-1
OUTLINE DIMENSION	DIM A	BOTTOM LED 2	BOTTOM LED 1	TOP LED 2	TOP LED 1	PART NUMBER
THIS DRAWING IS A CONTROLLED DOCUMENT.						
DIMENSIONS: mm		TOLERANCES UNLESS OTHERWISE SPECIFIED:		DWT: TOMMY REN 30JAN2010 CHK: TONY YUAN 30JAN2010 APD: KEITH ZHU 30JAN2010 MODEL NAME: MAGJACK DESC: 2X6 S8G56 GIGABIT W/ LED		
0 PLC ±0.25 1 PLC ±0.25 2 PLC ±0.25 3 PLC ±0.25 4 PLC ± ANGLES ± APPLICATION SPEC ±		PRODUCT SPEC 108-104004 APPLICATION SPEC		SIZE: A1 CAGE CODE: C=1840326 DRAWING NO: 1840326 RESTRICTED TO: CUSTOMER DRAWING SCALE: NTS SHEET 1 OF 5 REV N		

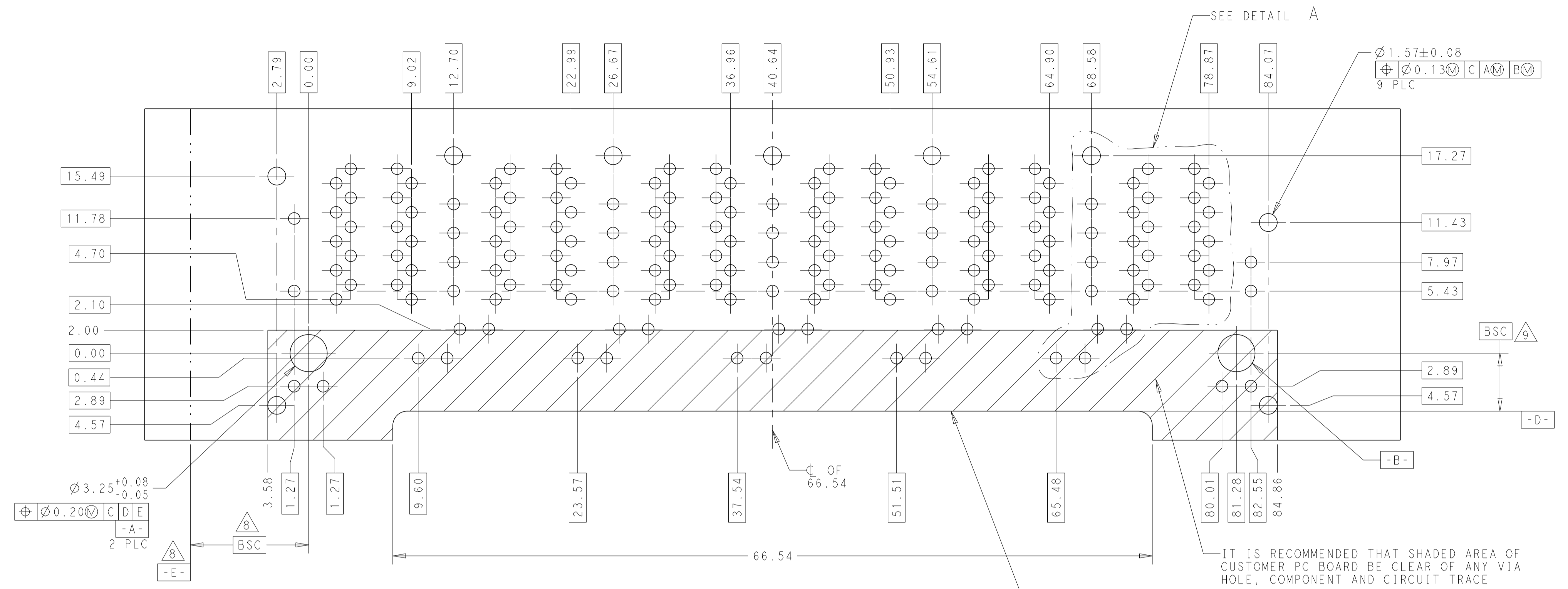
THIS SHEET FOR 2-1840326-7 ONLY



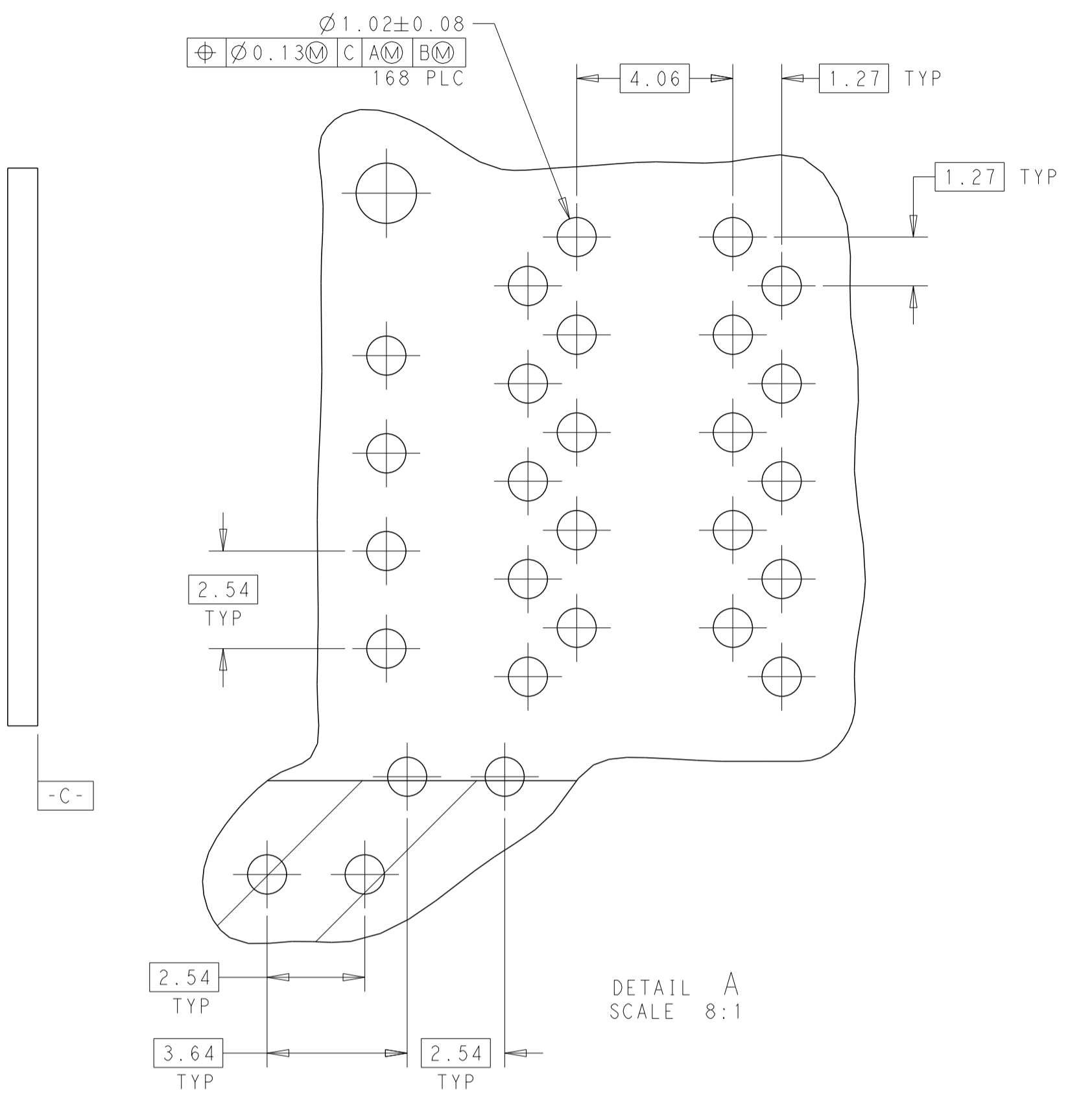
THIS DRAWING IS A CONTROLLED DOCUMENT.		DRW: TOMMY REN 30JAN2010	 trp CONNECTOR a bel group DONGGUAN CHINA
DIMENSIONS: mm		CHK: TONY YUAN 30JAN2010	
		APP'D: KEITH ZHU 30JAN2010	
TOLERANCES UNLESS OTHERWISE SPECIFIED:		MODEL NAME	DESC: 2X6 S8G56 GIGABIT W/ LED
0 PLC	±0.25	MAGJACK	SIZE: A1
1 PLC	±0.25	STACK Non-PoE	CAGE CODE: C=1840326
2 PLC	±0.25		DRAWING NO: -
3 PLC	±		RESTRICTED TO: -
4 PLC	±		SCALE: NTS
ANGLES	±		SHEET: 2 OF 5
PRODUCT SPEC: 108-104004	APPLICATION SPEC: -	CUSTOMER DRAWING	REV: N



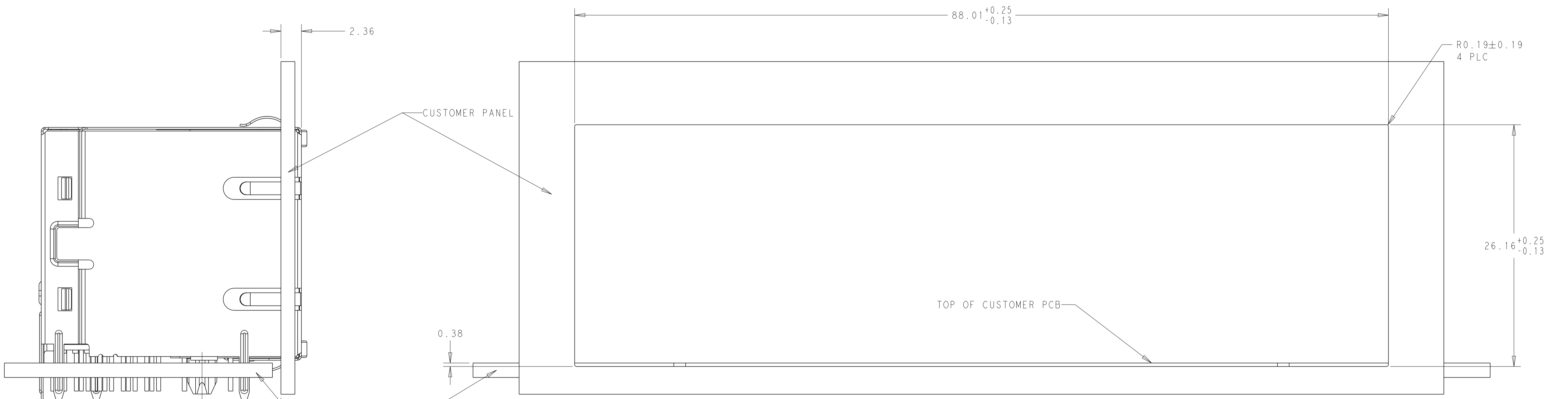
THIS DRAWING IS A CONTROLLED DOCUMENT.		DRW: TOMMY REN 30JAN2010	 trp CONNECTOR a bel group DONGGUAN CHINA
DIMENSIONS: mm		CHK: TONY YUAN 30JAN2010	
		APP'D: KEITH ZHU 30JAN2010	
TOLERANCES UNLESS OTHERWISE SPECIFIED: 0 PLC ±0.25 1 PLC ±0.25 2 PLC ±0.25 3 PLC ±0.25 4 PLC ± ANGLES ± APPLICATION SPEC ±		MODEL NAME: MAGJACK	DESC: 2X6 S8G56 GIGABIT W/ LED
PRODUCT SPEC: 108-104004		SIZE: A1	RESTRICTED TO: -
CUSTOMER DRAWING		SCALE: NTS	SHEET 3 OF 5 REV N



RECOMMENDED PCB LAYOUT COMPONENT SIDE VIEW



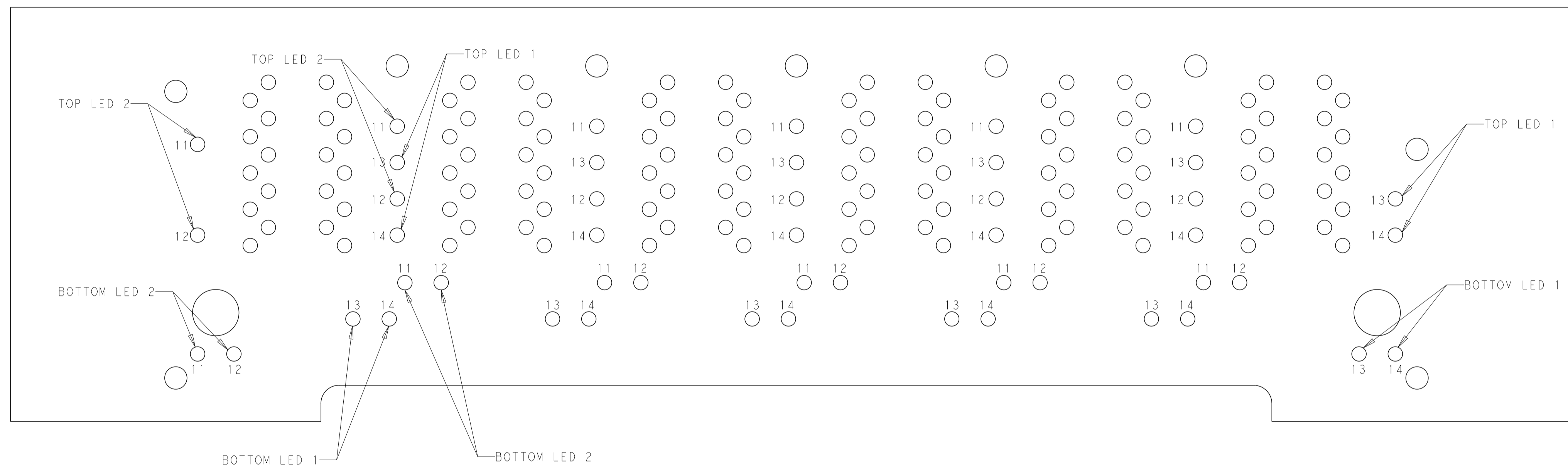
DETAIL A SCALE 8:1



SUGGESTED PANEL CUTOUT DIMENSIONS

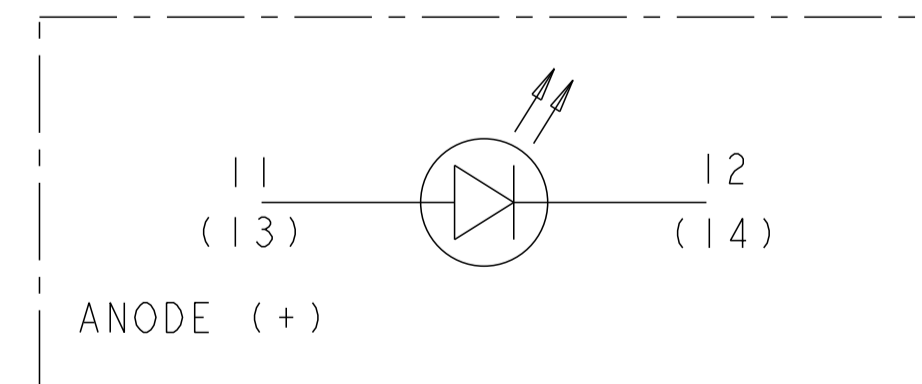
SHOWN WITH PANEL AND CUSTOMER PCB ASSEMBLY

THIS DRAWING IS A CONTROLLED DOCUMENT.		DRW: TOMMY REN 30JAN2010	TRP CONNECTOR DONGGUAN CHINA a bel group	
DIMENSIONS: mm		CHK: TONY YUAN 30JAN2010		
TOLERANCES UNLESS OTHERWISE SPECIFIED:		APR: KEITH ZHU 30JAN2010	DESC: 2X6 S8G56 GIGABIT W/ LED	
0 PLC ±0.25 1 PLC ±0.25 2 PLC ±0.25 3 PLC ± 4 PLC ± ANGLES APPLICATION SPEC		MODEL NAME: MAGJACK		
PRODUCT SPEC 108-104004		SIZE: A1		RESTRICED TO: -
CUSTOMER DRAWING		CAGE CODE: 1840326	SCALE: NTS SHEET: 4 OF 5 REV: N	

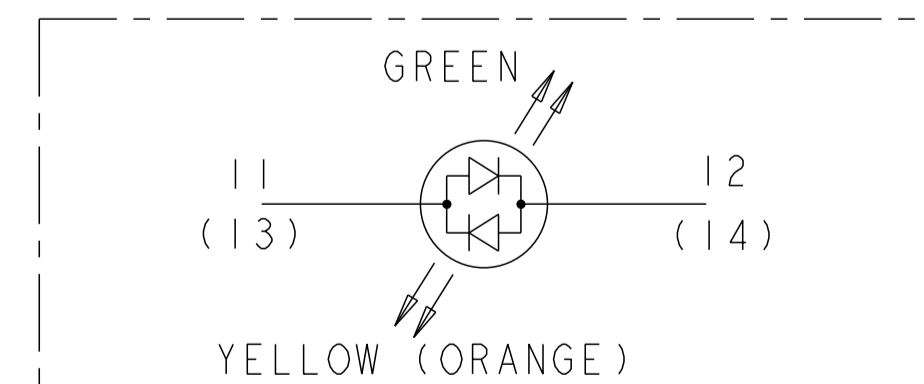



LED HOLE DESIGNATIONS VIEWED FROM COMPONENT SIDE

SINGLE COLOR LED



BI-COLOR LED



THIS DRAWING IS A CONTROLLED DOCUMENT.		DRW: TOMMY REN 30JAN2010	 trp CONNECTOR <small>a bel group</small>	DONGGUAN CHINA	
DIMENSIONS: mm		CHK: TONY YUAN 30JAN2010		DESC: 2X6 S8G56 GIGABIT W/ LED	RESTRICTED TO
TOLERANCES UNLESS OTHERWISE SPECIFIED:		APP'D: KEITH ZHU 30JAN2010		SIZE: A1	CAGE CODE: -
0 PLC ±0.25	1 PLC ±0.25	MODEL NAME: MAGJACK	DRAWING NO: C=1840326	SCALE: NTS	
2 PLC ±0.25	3 PLC ±	PRODUCT SPEC: 108-104004	APPLICATION SPEC: -	SHEET 5 OF 5	
4 PLC ±	ANGLES ±	CUSTOMER DRAWING	REV: N		