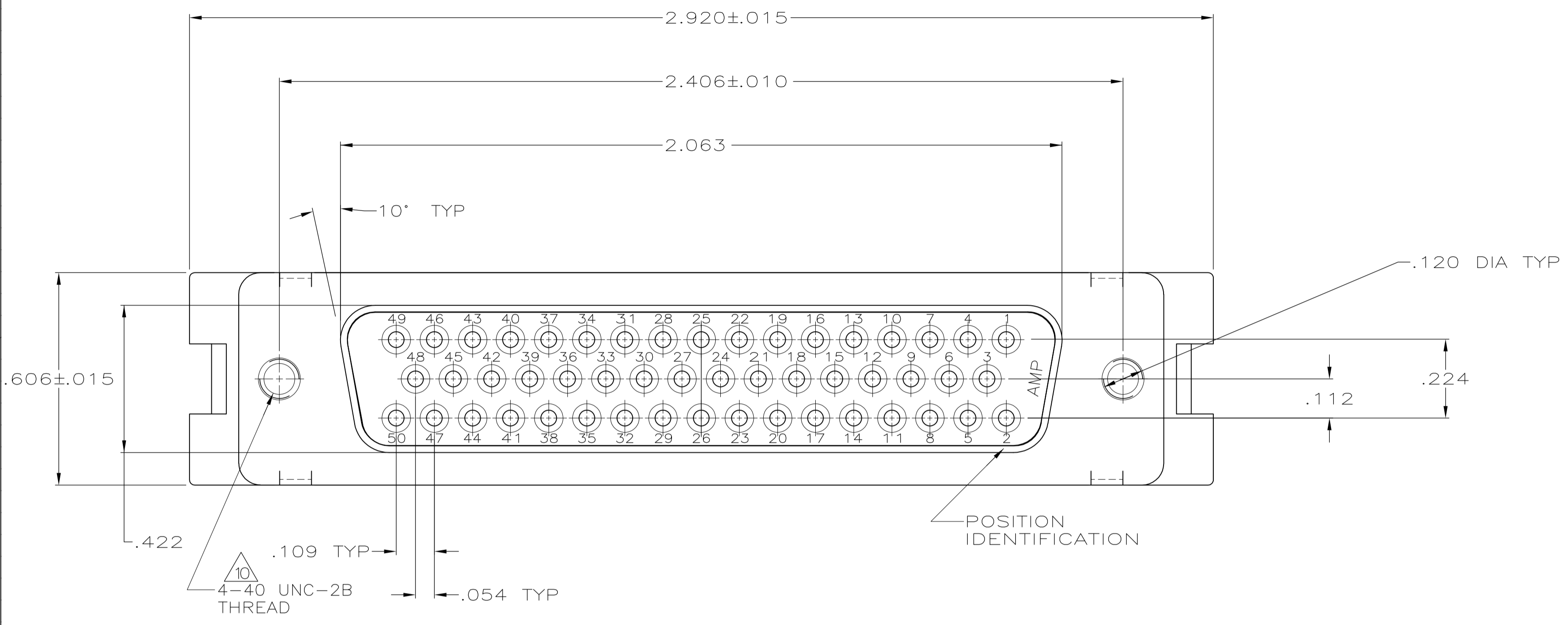
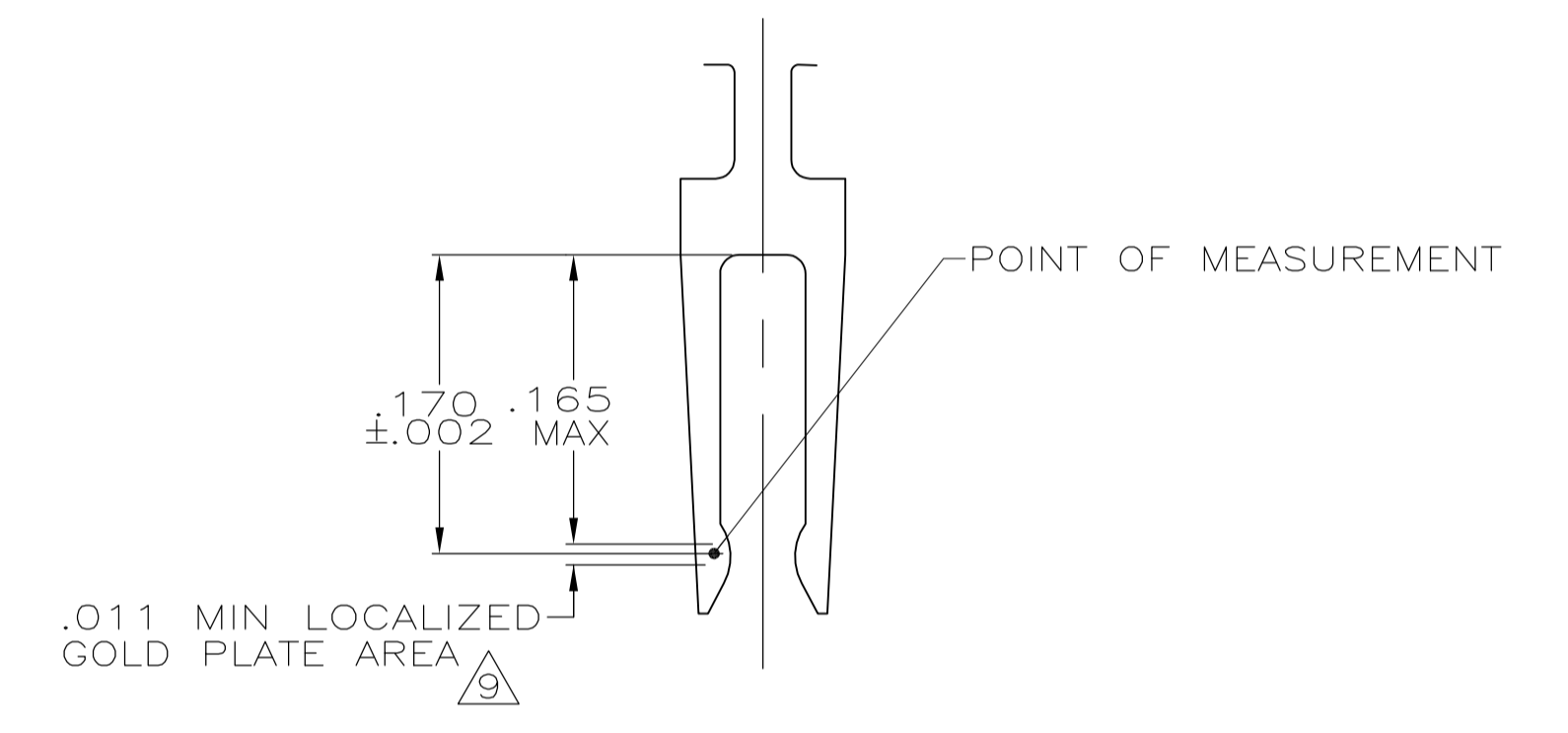
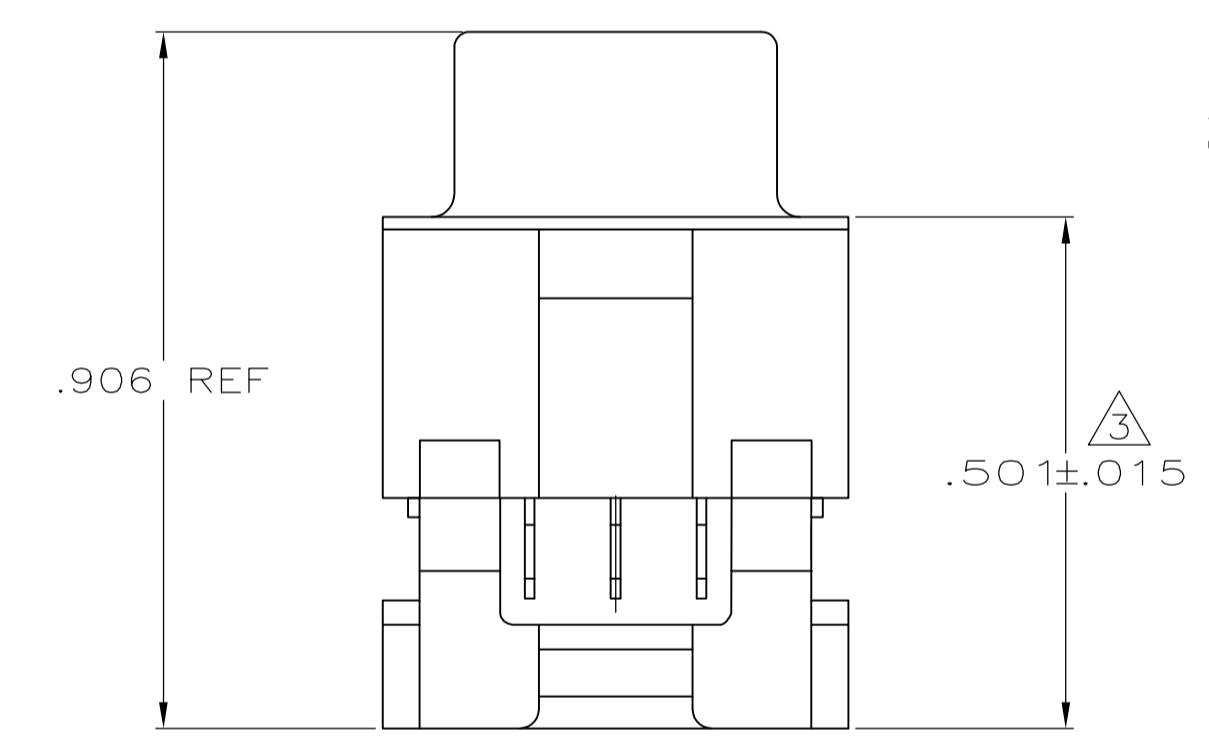
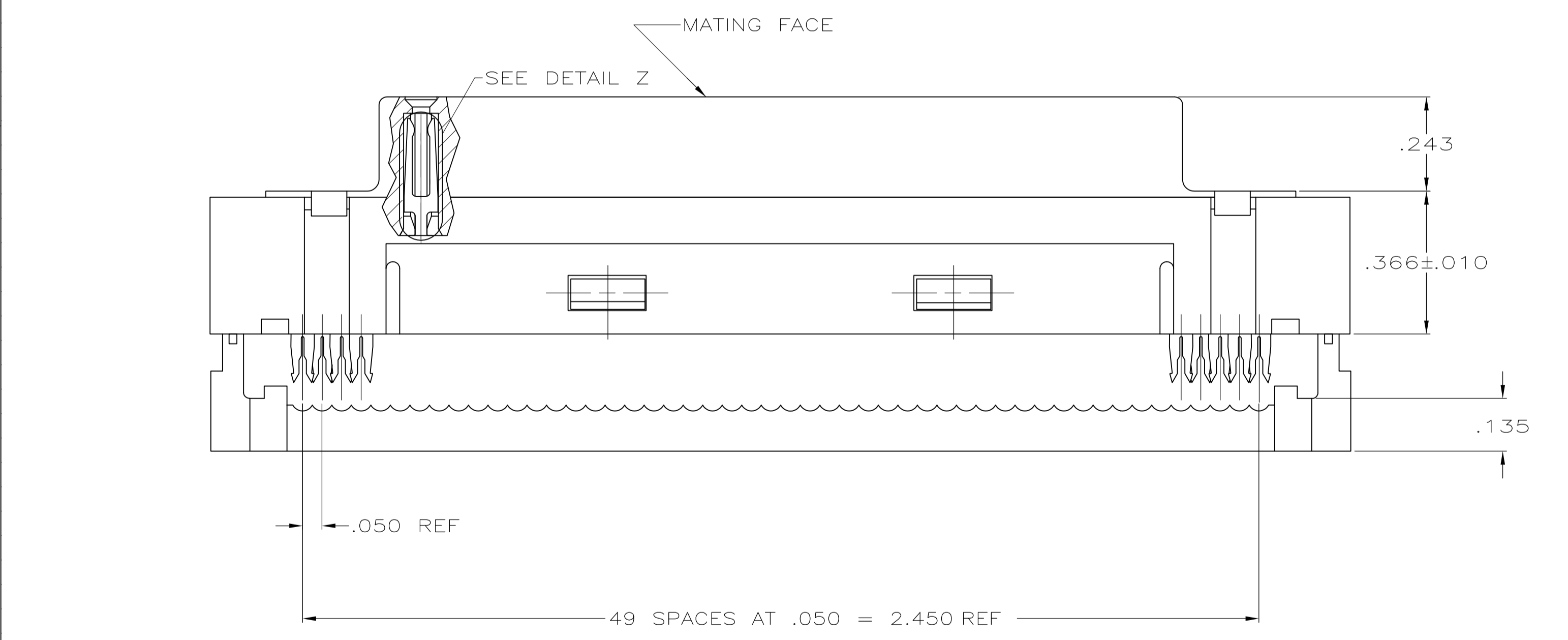


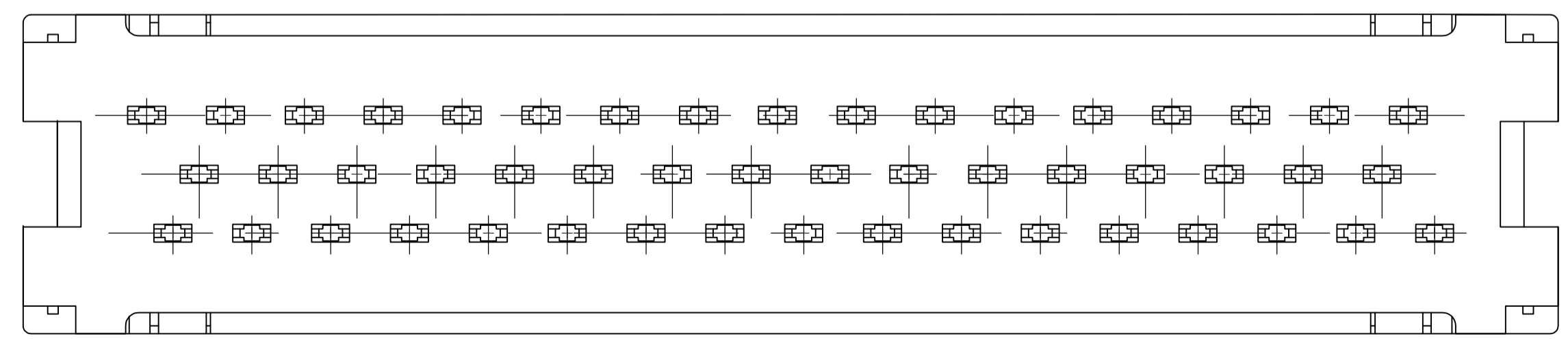
LOC		DIST		REVISIONS			
GP	00	REV	DATE	BY	CHK	APPV	
B1	REVISED PER ECO-11-004835		11MAR11	RK	HMR		



- CONNECTORS COMPLY WITH AMP SPEC 108-40012.
 - CONNECTOR DESIGNED FOR 28 AND 26 AWG STRANDED AND SOLID CONDUCTOR RIBBON CABLE ON .050 ϕ .
- △3 DIMENSION APPLIES TO TERMINATED CONNECTOR.
 △4 MOLDED PARTS:FLAME RETARDANT 94V-0 RATED THERMOPLASTIC; COLOR:BLACK.
 △5 SHELL: STEEL PER QQ-S-698.
 △6 CONTACTS: PH BRZ PER QQ-B-750.
 △7 GOLD PLATING PER MIL-G-45204, TIN PLATING PER MIL-T-10727,NICKEL PLATING PER QQ-N-290.
 △8 SHELL: BRIGHT TIN PLATED.
 △9 CONTACTS: PLATED .000030 GOLD IN LOCALIZED GOLD PLATE AREA,.000100 - .000200 MATTE TIN ON TERMINATION END,ALL OVER .000050 NICKEL ON ENTIRE CONTACT.
 △10 THE MAX SCREW PENETRATION INTO THE CONNECTOR = .312.
 △11 THREADED INSERTS: ZINC PLATED .000150-.000300 THICK, CLEAR CHROMATE COATED.



DETAIL Z
 SCALE 10:1
 ROTATED 180° CW



1658606-1
 PART NO

THIS DRAWING IS A CONTROLLED DOCUMENT.		DIN	L BAUM	6/12/03	TE Connectivity
DIMENSIONS: INCHES		CHK	C ROHDE	6/12/03	
TOLERANCES UNLESS OTHERWISE SPECIFIED:		APVD	M WALMSLEY	6/12/03	NAME
0 PLC ± -		PRODUCT SPEC		RECPT ASSY, HDF, FRONT METAL SHELL LEAD-FREE, AMP-LATCH	
1 PLC ± -		APPLICATION SPEC		-	
2 PLC ± -		SIZE	A1	CAGE CODE	00779
3 PLC ± .005		DRAWING NO	1658606		RESTRICTED TO
4 PLC ± -		WEIGHT	-		-
ANGLES ± -		CUSTOMER DRAWING		SCALE	NTS
MATERIAL		SHEET		1	OF 1
FINISH		REV		B1	