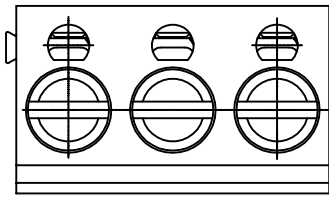


| | | | |
|------|------|---|----------|
| SIGN | DATE | DESCRIPTION | APPROVER |
| | | <i>THIS IS CAD DRAWING, DO NOT REVISE MANUALLY!!!</i> | |



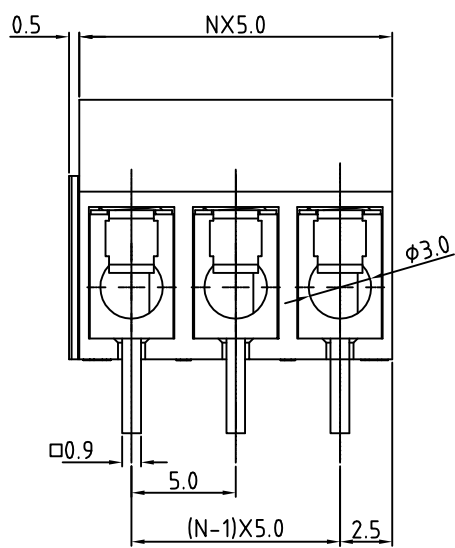
Material

- Terminal body
- (metal housing): Brass(CuZn)
- Terminal screw: Steel Zinc plating "-" slot type
- Wire guard: Stainless steel
- Surface of solder tail: Tin plated
- Insulator (housing): Thermoplastic (UL94V-0)

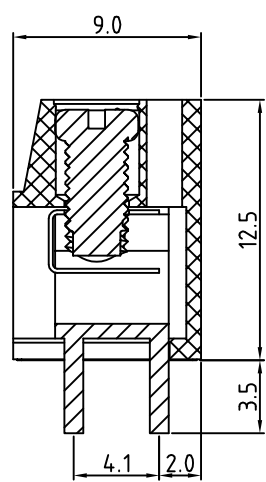
Electrical

- Voltage rating: 300VAC
- Current rating: 15A
- Wire range:
 - Solid wire(AWG): 14-22
 - Stranded wire(AWG): 14-22
- Torque(Lb-in): 3.5
- Screw: M3
- Wire strip length: 6-7mm
- Withstanding Voltage: 1.6KV
- Operating temperature: -30°C to +105°C
- Soldering temperature: 250°C±10°C/5 Sec
- Safety Approval: US

RoHS Compliant



N=Number of contacts



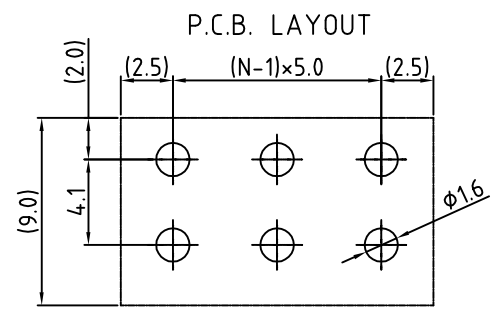
PART NUMBER:

OSTVAXX0160

| | |
|--------------|----------|
| No. of Poles | |
| 02 | 2 Poles |
| 03 | 3 Poles |
| ... | ... |
| 24 | 24 Poles |

COLOR

- 0: Black
- 5: Green
- 6: Blue (Standard)
- 8: Grey



THESE DRAWINGS AND SPECIFICATIONS ARE THE PROPERTY OF ON-SHORE TECHNOLOGY, INC. AND SHALL NOT BE REPRODUCED, COPIED OR USED IN ANY MANNER WITHOUT THE PRIOR WRITTEN CONSENT OF ON-SHORE TECHNOLOGY, INC.



| | | | | | | |
|-----------------------|-----------------------|---------------------------|---------------------------|--------------|-------------|------------|
| TITLE | | OSTVA- 5.0mm Series | | | | |
| PART NO. | OSTVAXX0160 | DWG NO. | OSTVAXX0160.DWG | | | |
| APPROVED | CHECKED | DESIGNED | DRAWN | CUST NO. | Tolerance | |
| Shi Jun 2006.10.19 | Shi Jun 2006.10.19 | xionghaitao 2006.10.19 | xionghaitao 2006.10.19 | | X. ±0.50 | |
| | | | | | UNIT: mm | X.X ±0.30 |
| | | | | SHEET: 01/01 | SCALE: NONE | X.XX ±0.10 |
| | | | | REV: D | X° ±1° | |