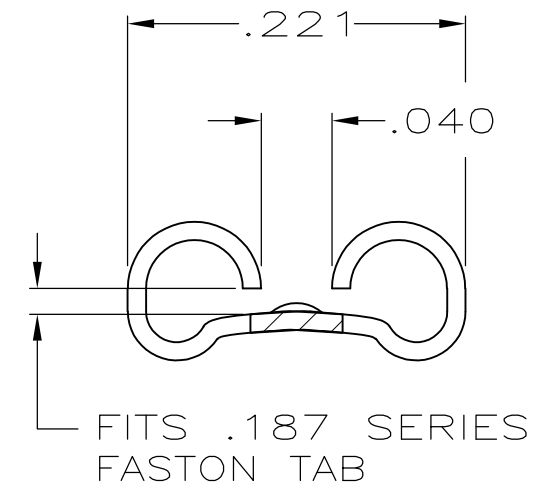
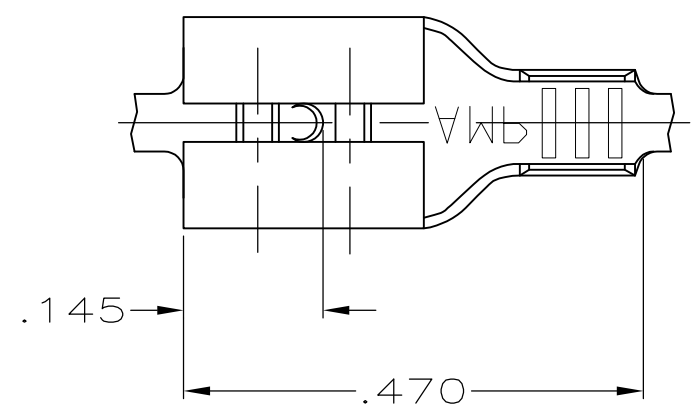


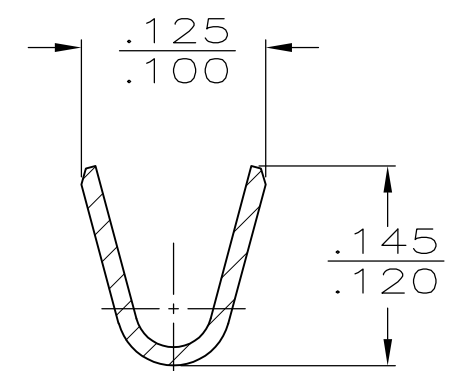
THIS DRAWING IS UNPUBLISHED. RELEASED FOR PUBLICATION  
 © COPYRIGHT - By - ALL RIGHTS RESERVED.

LOC	DIST	REVISIONS					
AF	50	P	LTR	DESCRIPTION	DATE	DWN	APVD
		L		REVISED PER ECR-12-013445	09NOV12	KH	PD

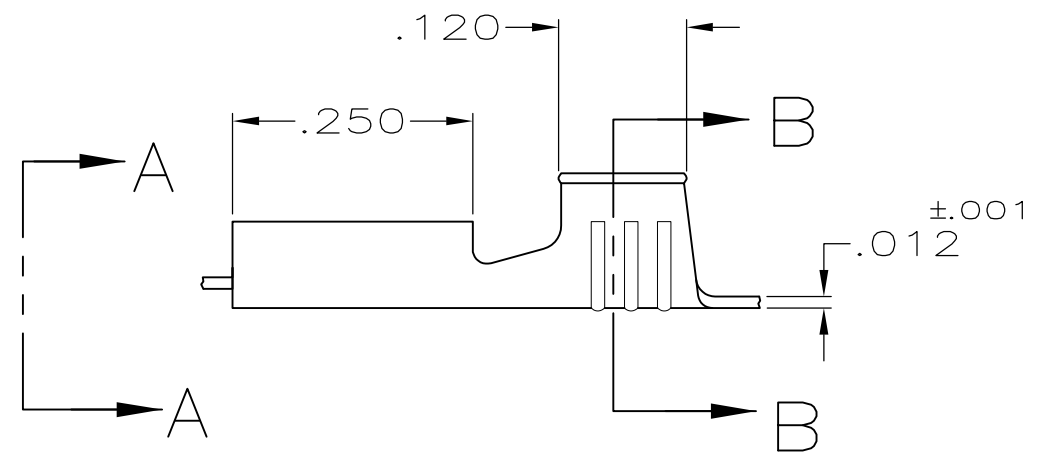
1 CONTINUOUS STRIP ON REELS



VIEW A-A  
SCALE 8:1



SECTION B-B  
SCALE 8:1



OBSOLETE

NICKEL	#2H STEEL	20-16	.020	42373-3
TIN	BRASS	20-16	.020	42373-2
-	#4H BRASS	20-16	.020	<del>42373-1</del>
FINISH	MATERIAL	WIRE SIZE	MATING TAB THK ±.001	PART NUMBER

.188	F	.090	.060	16
			.053	18
			.049	20
STRIP LENGTH ±.015	TYPE	WIDTH	±.002 HEIGHT	WIRE
	WIRE BARREL CRIMP			

THIS DRAWING IS A CONTROLLED DOCUMENT.

DIMENSIONS: INCHES

TOLERANCES UNLESS OTHERWISE SPECIFIED:

0 PLC	± -
1 PLC	± -
2 PLC	± -
3 PLC	± .015
4 PLC	± -
ANGLES	± -

MATERIAL: SEE TABLE

FINISH: SEE TABLE

DWN JR RUTH 7/14/89

CHK MS FEHER 7/14/89

APVD C MEYERS 7/14/89

PRODUCT SPEC

APPLICATION SPEC

WEIGHT -

**STE** TE Connectivity

RECEPTACLE, FASTON™, .187 SERIES

SIZE	CAGE CODE	DRAWING NO	RESTRICTED TO
A3	00779	C-42373	-

CUSTOMER DRAWING

SCALE 5:1 SHEET 1 OF 1 REV L