

## CONTENT

| NO.        | DESCRIPTION                |
|------------|----------------------------|
| 1          | Product characteristics    |
| 1 .1       | General description        |
| 1 .2       | Electrical characteristics |
| 1 .3       | Mechanical characteristics |
| 1 .4       | Adaptor colour             |
| 2          | Attachment                 |
| (Att. 1)   | Circuit diagram            |
| (Att. 2)   | Test circuit               |
| (Att. 3)   | Label                      |
| (Att. 4)   | Outdrawing                 |
| (Att. 5)   | Package                    |
| (Att. 5.1) | Package flow chart         |
| (Att. 6)   | Dc cord drawing            |
| (Att. 7)   | Assembly drawing           |

## 1. Product Characteristics:

### 1.1 General Description:

Model DPR090080-P5P-SZ is a wall-mount AC/DC adaptor. The output voltage is 9V DC at loading 800 mA under a rated input voltage 120 VAC.

### 1.2 Electrical Characteristics:

1.2.1 Primary rated voltage & frequency: 120 VAC 60 Hz 16 W.

1.2.2 Primary exciting current: 80 mA r.m.s MAX.

1.2.3 Secondary rated voltage & current:

The adaptor described by this specification shall meet the following output requirement given in the test circuit as shown in item (1.2.5).

| Input Voltage(VAC) | Output Load Current(mA) | Output Voltage(VDC) | Ripple Voltage(r.m.s) |
|--------------------|-------------------------|---------------------|-----------------------|
| 120                | 800                     | 9V ±5%              |                       |
| 120                | 0                       | 9.4V ±5%            |                       |
|                    |                         |                     |                       |

1.2.4 Temperature rise of primary winding: 70 °C MAX.at input 120 VAC 60 Hz, loading 800 mA, by using resistance method.

1.2.5 Insulation resistance: insulation resistance between input and output plug, and between winding and core, shall not be less than 100 MΩ measured by 500 VDC insulation resistance tester.

1.2.6 HI-POT test: 1240 VAC (2mA) for 1 minute (or 1600 VAC(2mA) for 1 second in the mass production) between AC plug and DC plug. 1600 VAC(2mA) for 1 second between primary winding and secondary winding, and between primary winding and core. 750 VAC (2mA) for 1 second between secondary winding and core.

1.2.7 Safety standard: **UL/cUL.**

1.2.8 Unit weight: **about 423g**

1.2.9 Humidity test: In an ambient temperature of 40 °C±2°C, relative humidity 90-95% for 96 hours, unit should meet the requirements of item (1.2.6) and minimum 10 MΩ insulation resistance after 10 minutes.

1.2.10 Life test: In an ambient temperature of 40°C, 90-95% R. H., applied a power source of

---

120 VAC 60 Hz to primary, with secondary full load 800 mA for 8 hours continuously, the unit should meet the requirements of item (1.2.3;1.2.5;1.2.6)

### 1.3 Mechanical Characteristics:

1.3.1 Appearance: Damage, rust, foam not permitted.

### 1.4 Adaptor colour:

1.4.1 Case: BLK

1.4.2 Cord: BLK

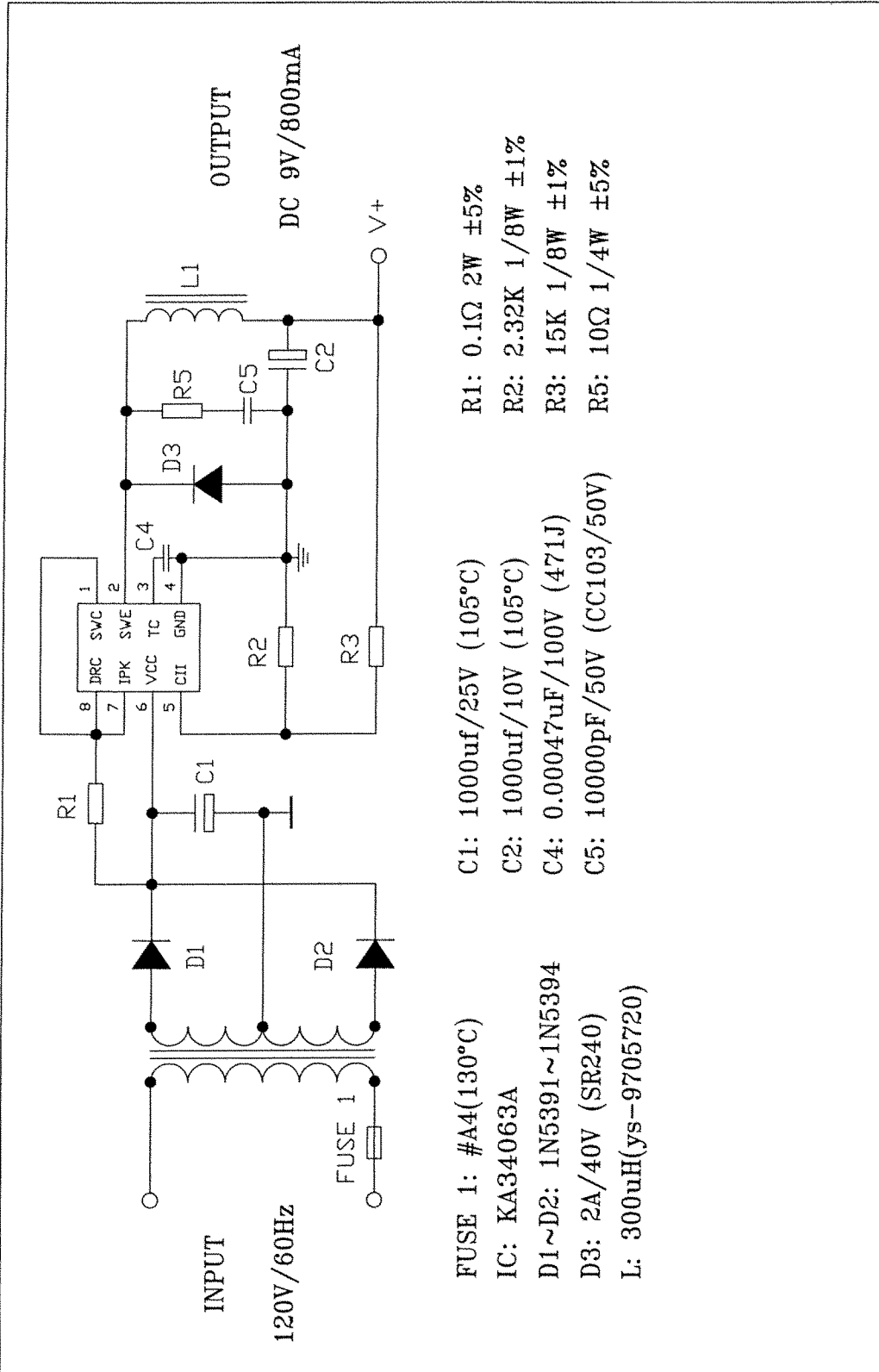
1.4.3 Plug top: BLK (Insulation Chip)

---

## 2.Attachment:

- (Att.1) Circuit diagram
- (Att.2) Test circuit
- (Att.3) Label
- (Att.4) Outdrawing
- (Att.5) Package
- (Att.5.1) Package flow chart
- (Att.6) Dc cord drawing
- (Att.7) Assembly drawing

Att.1



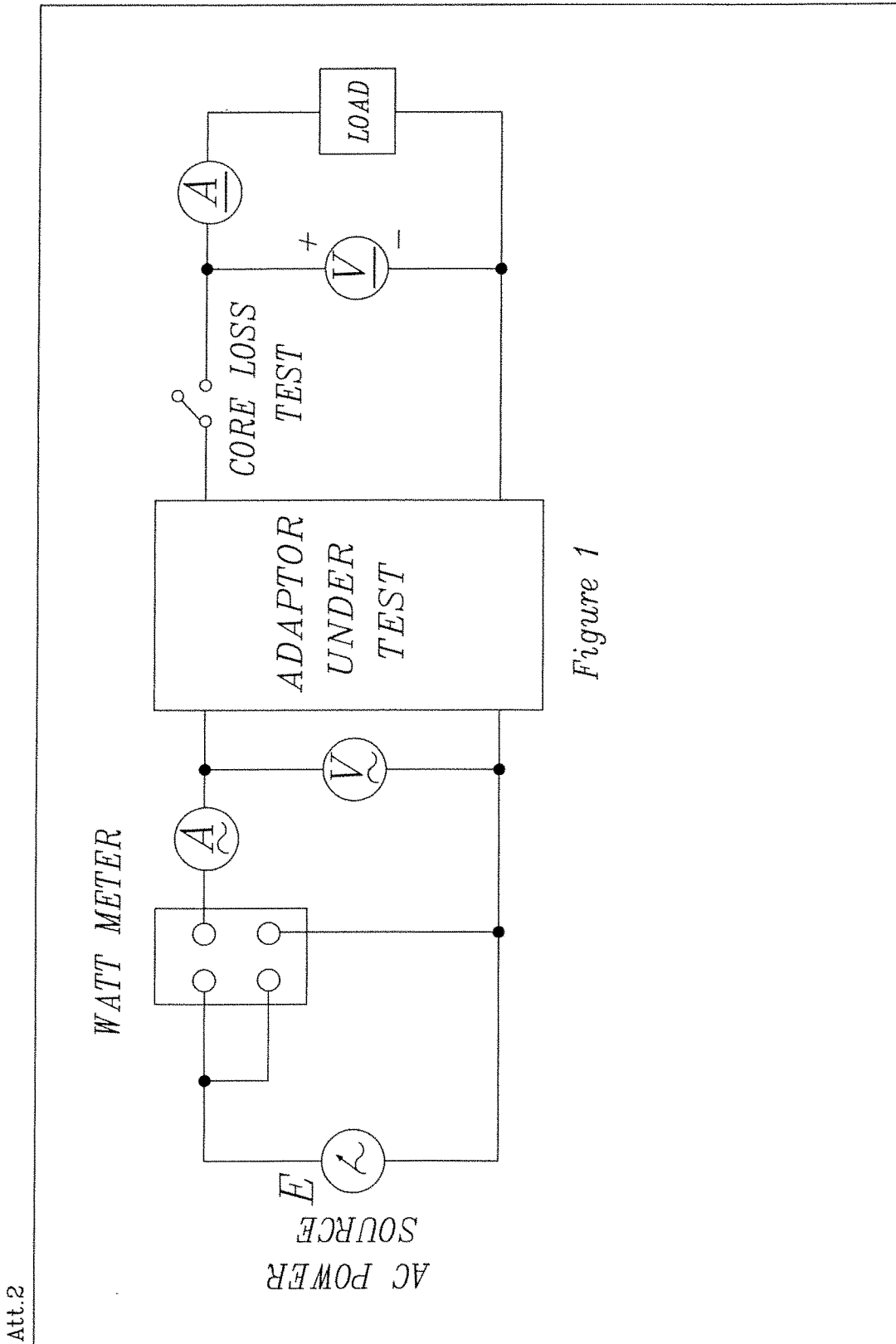
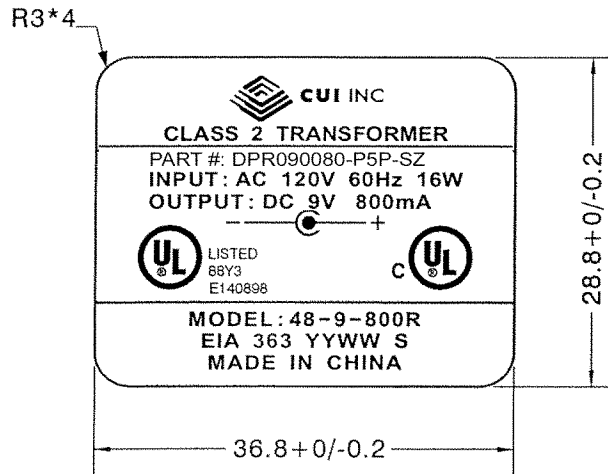


Figure 1

Att.3 \*CASE NO.: ENG48-21-01



Remarks: YYWW S

YY provides production year

WW provides production week

S Fu Yong

Adhesion strength of specification label (Tape peeling test).

Firmly apply pressure sensitive adhesive tape on the middle of the specification label to the lengthwise direction.

Pull the tape off quickly at a 90° angle to the surface of the label oncel.

[Specification] There shall be no blistering or peeling of the specification label.

[Used adhesive tape] 3m #44 tape 18 width.

Thickness:0.2mm

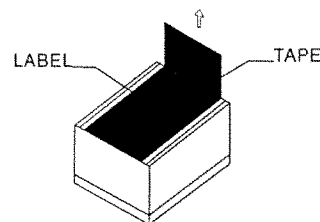
Material:  PVC

ALUMINIUM

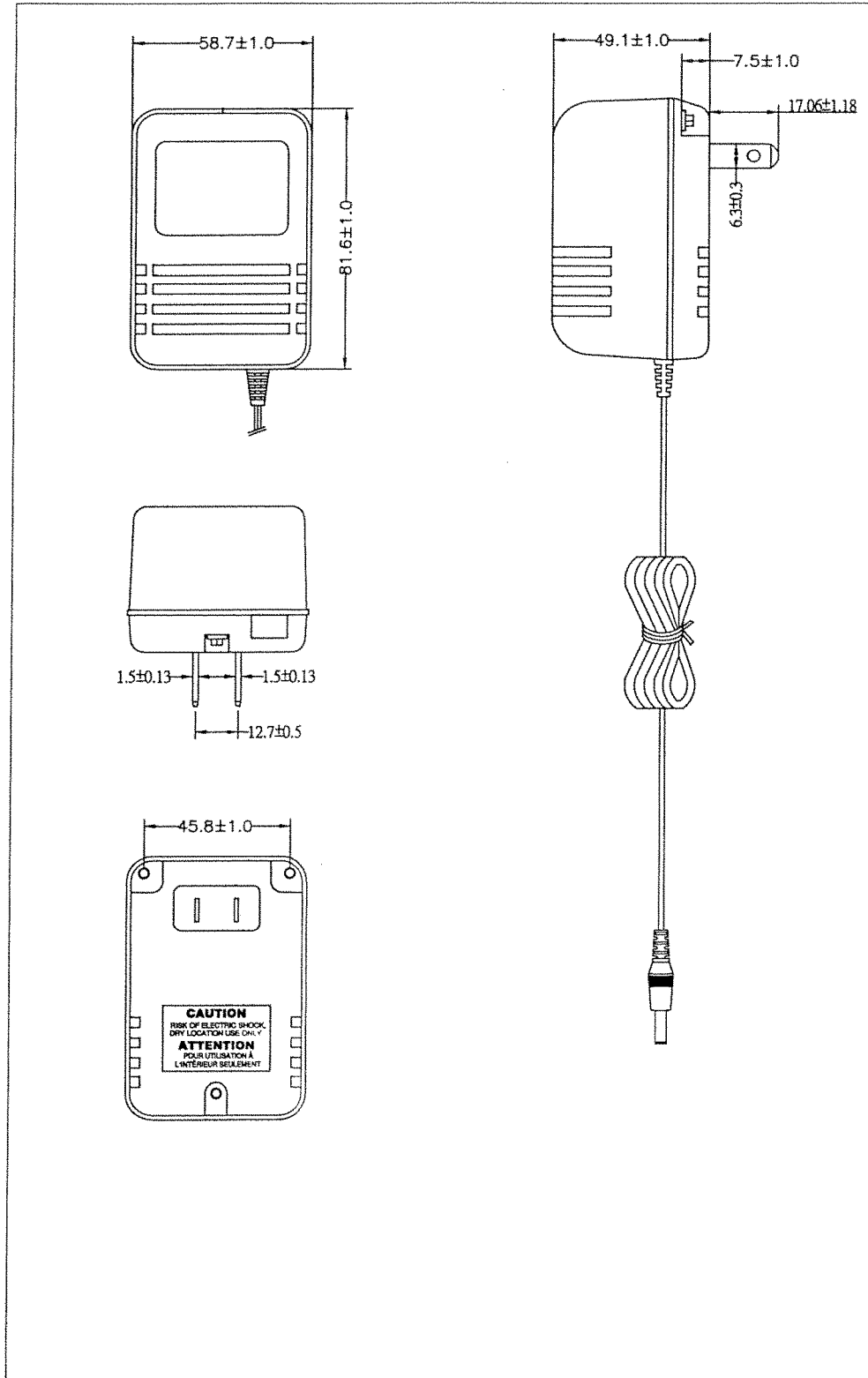
BLACK WORD ON SILVER BASE

SILVER WORD ON BLACK BASE

WHITE WORD ON BLACK BASE



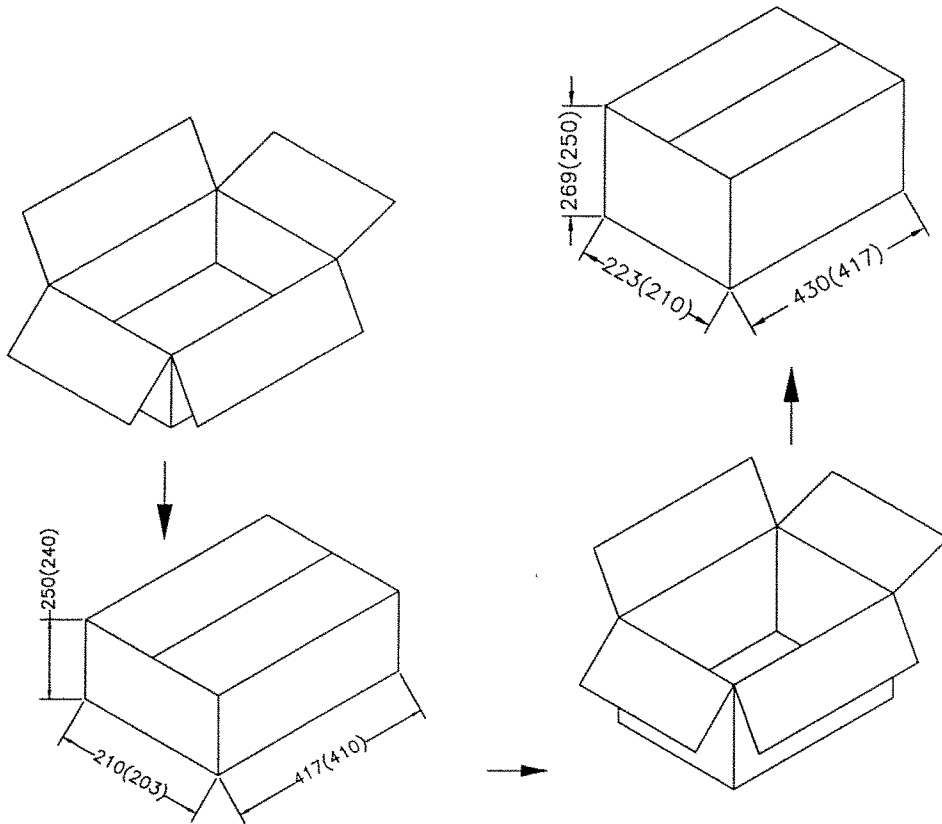
Att.4



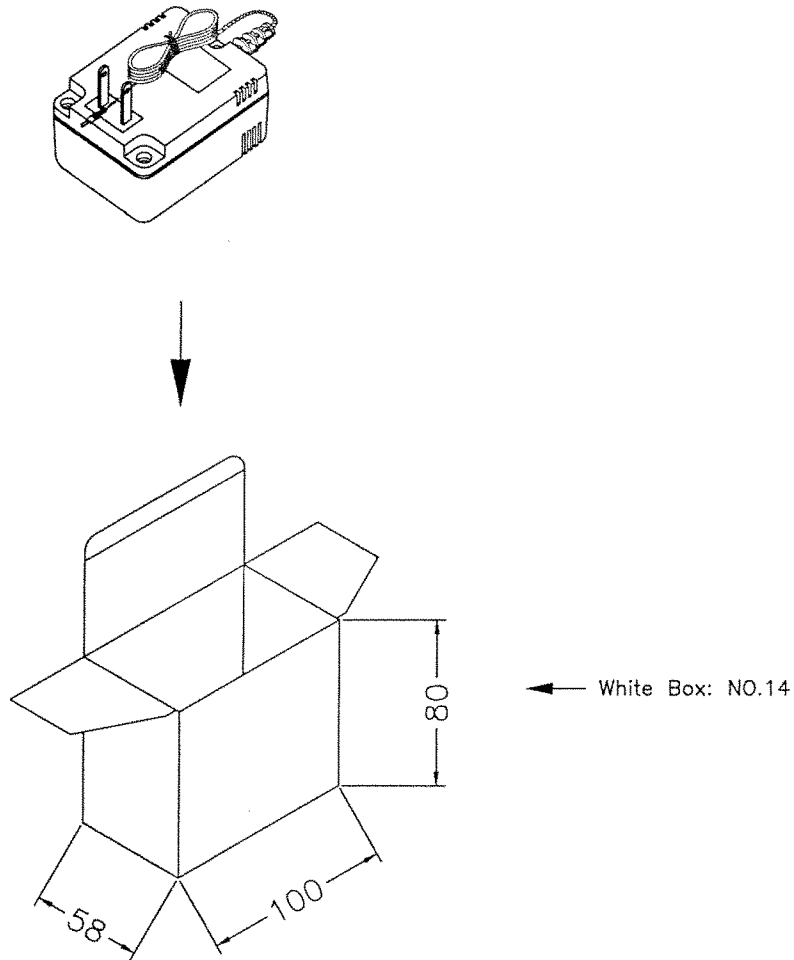


Att.5

OUTSIDE CARTON:A=B(6mm)  
INSIDE CARTON:A=B(3mm)  
CARTON SIZE: 430x223x269mm  
Q'TY: 40pcs(10X4X1)



Att.5.1



Att.6

