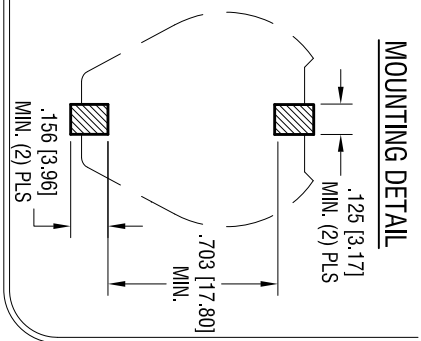
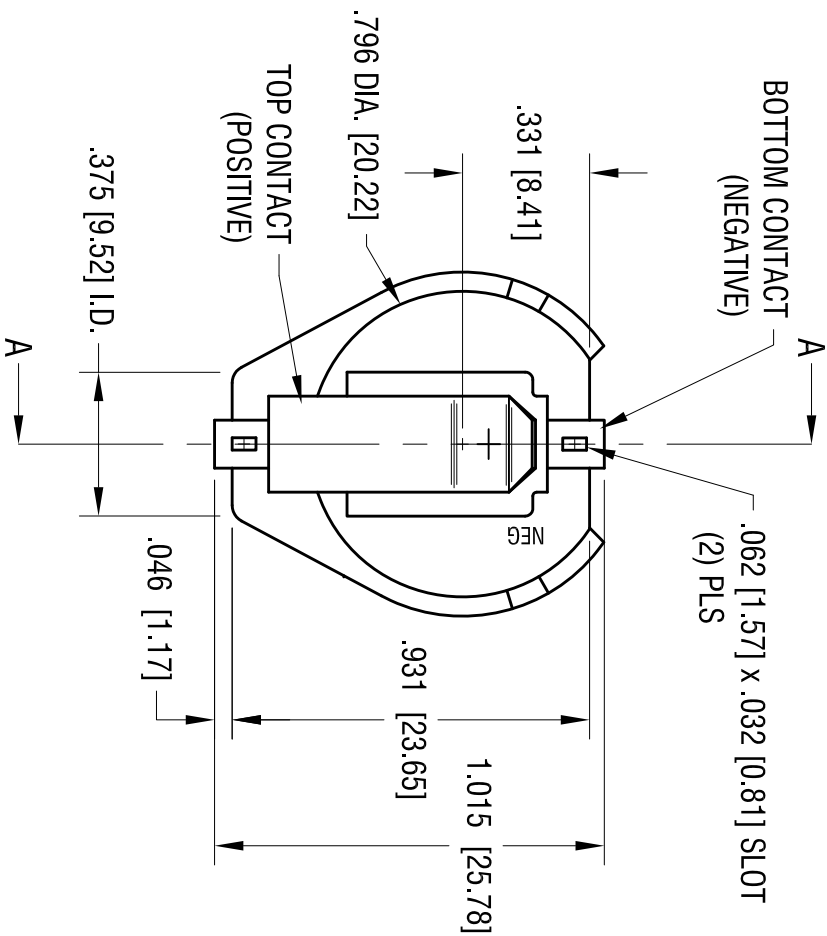
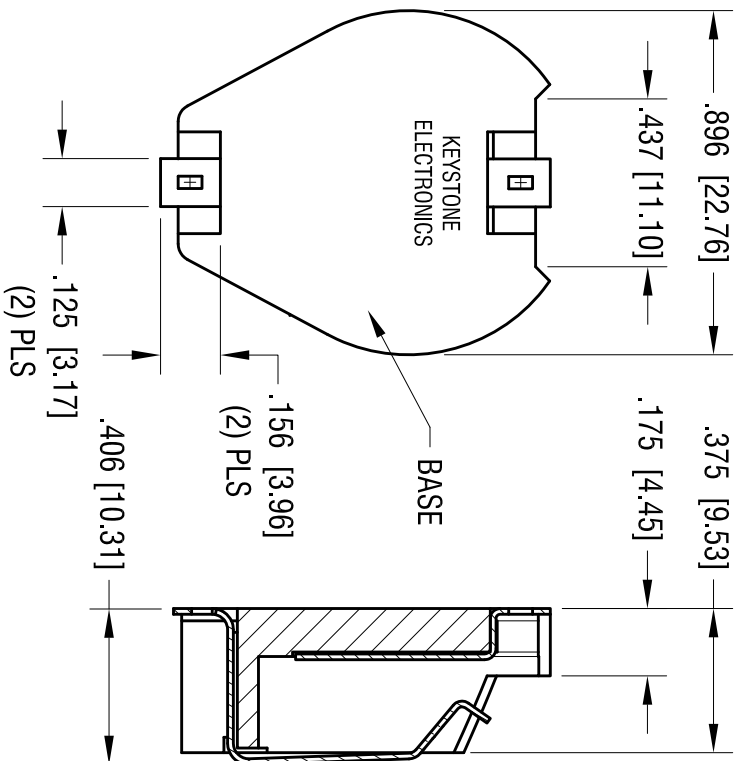


DATE	DESCRIPTION	REV.
9.17.04	CHANGE AS PER ECN 04-105	E
11.04.11	CHANGE AS PER ECN 11-148	F

MOUNTING DETAIL

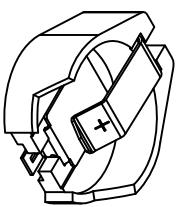


SECTION A-A



- NOTES:**
1. BASE:
MATERIAL - HIGH TEMPERATURE NYLON (UL 94V-0)
 2. CONTACTS (TOP AND BOTTOM):
MATERIAL - .015 [0.38] THICK SPRING STEEL
FINISH: TIN NICKEL PLATE

COLOR BLACK



ACTUAL SIZE

THIS DOCUMENT IS THE PROPERTY OF KEYSSTONE ELECTRONICS CORP. AND SHALL NOT BE REPRODUCED, DISTRIBUTED OR USED AS A BASIS FOR MANUFACTURE OF ANY OTHER KEYSSTONE ELECTRONICS CORP. PRODUCT WITHOUT THE WRITTEN PERMISSION FROM KEYSSTONE ELECTRONICS CORP.

KEYSTONE ELECTRONICS CORP.			
www.keystec.com • ASTORIA, N.Y. 11105-2017 • Tel (718) 956-8900			
PART NAME			
DUAL 20mm BATTERY HOLDER, SMT			
MATERIAL			
AS NOTED			
FINISH			
AS NOTED			
TOLERANCES	INCH	[MM]	CODE
DECIMAL	± .010	[± 0.25]	C
ANGULAR	± 1°		
UNLESS OTHERWISE SPECIFIED			
DRN BY	BOONE	DATE	12.14.92
APP'D	LN	SCALE	2X
DWG NO.		1062	