

4

3

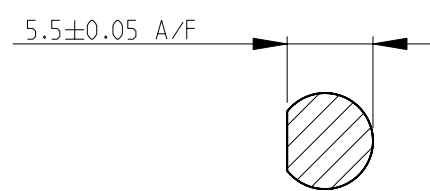
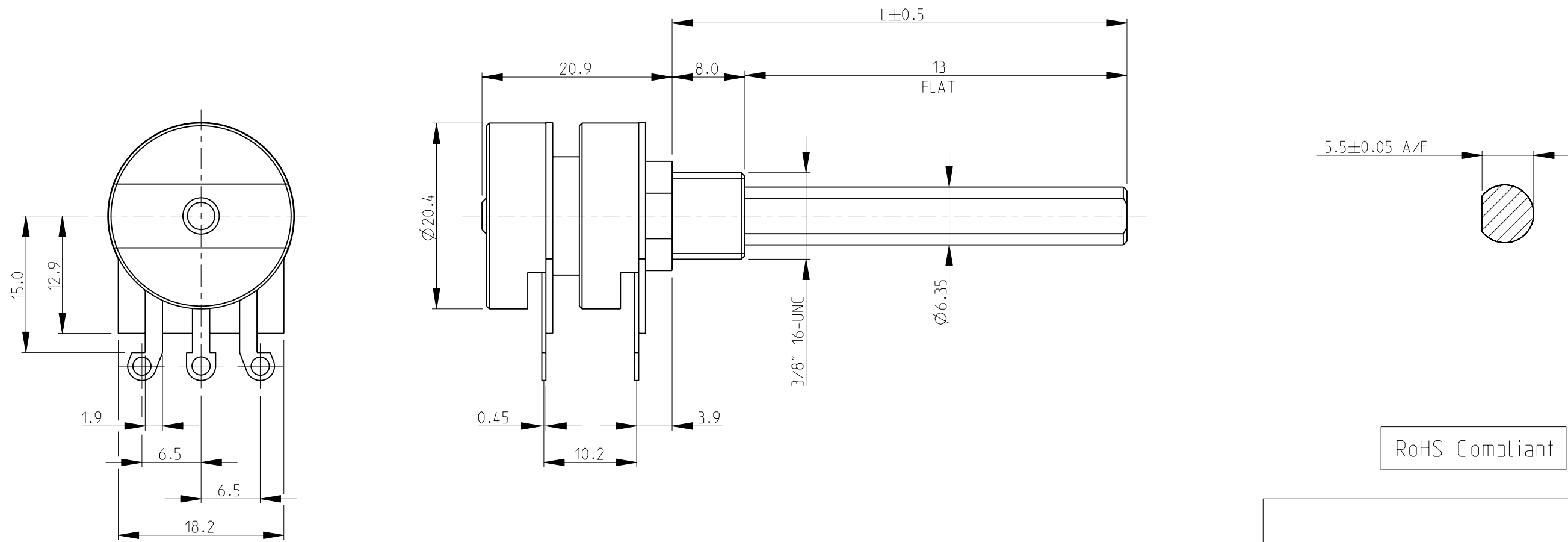
2

1

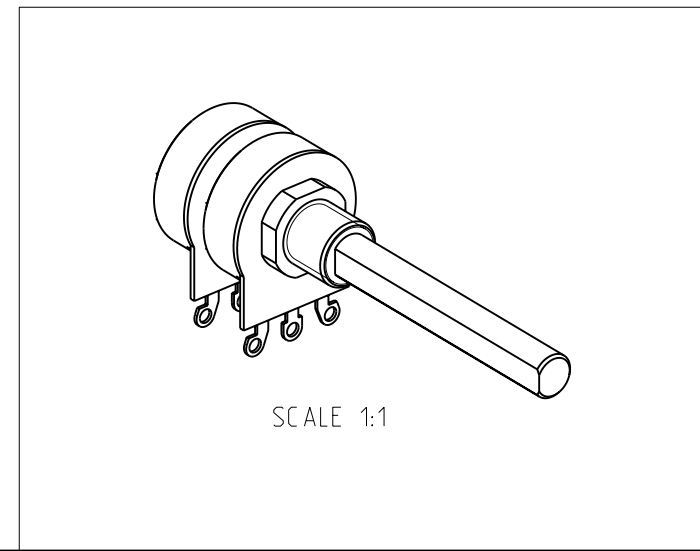
THIS DRAWING IS UNPUBLISHED. RELEASED FOR PUBLICATION 2008
 © COPYRIGHT 2008 BY TYCO ELECTRONICS CORPORATION. ALL RIGHTS RESERVED.

LOC	DIST	REVISIONS			
P	LTR	DESCRIPTION	DATE	DWN	APVD
E	B	BA	NEW RELEASE	30-Jul-08	SM St.P

1 AVAILABLE IN DIFFERENT SHAFT LENGTHS (L) SEE DATA SHEET
 2 FOR FURTHER INFORMATION SEE DATA SHEET FOR 23 SERIES-SPINDLE OPERATED POTENTIOMETER



RoHS Compliant



THIS DRAWING IS A CONTROLLED DOCUMENT FOR TYCO ELECTRONICS CORPORATION IT IS SUBJECT TO CHANGE AND THE CONTROLLING ENGINEERING ORGANIZATION SHOULD BE CONTACTED FOR THE LATEST REVISION.		DWN	SUBHASH.M	30-Jul-08	Tyco Electronics Corporation Dorcan, Swindon, SN3 5HH
DIMENSIONS: mm		CHK	PRAKASH.S	30-Jul-08	
		APVD	STEPHEN.P	30-Jul-08	
TOLERANCES UNLESS OTHERWISE SPECIFIED:		NAME			SPINDLE OPERATED POTENTIOMETER SERIES 23 (DUAL GANG STYLE)
0 PLC ±0.5 1 PLC ±0.2 2 PLC ±0.1 3 PLC ± 4 PLC ± ANGLES ±5°		PRODUCT SPEC			-
MATERIAL -		APPLICATION SPEC			-
FINISH -		WEIGHT -			-
		SIZE	A3	CAGE CODE	00779
		DRAWING NO	C=1624177		RESTRICTED TO
CUSTOMER DRAWING		SCALE	2:1	SHEET	1 OF 1
		REV			BA