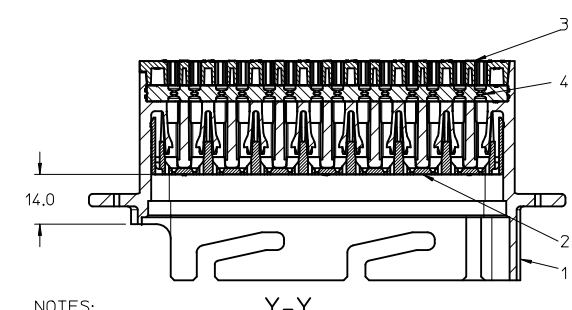
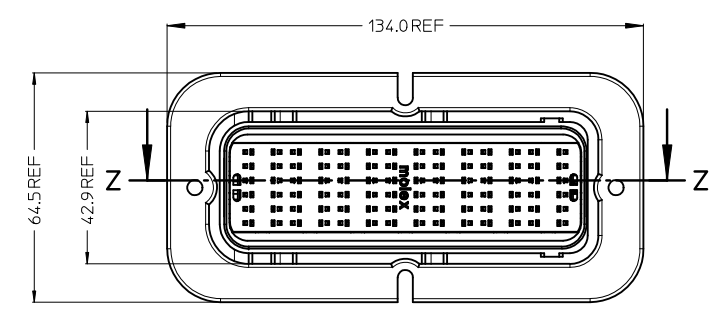
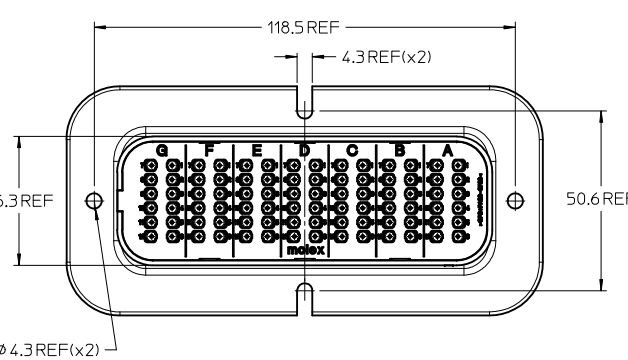
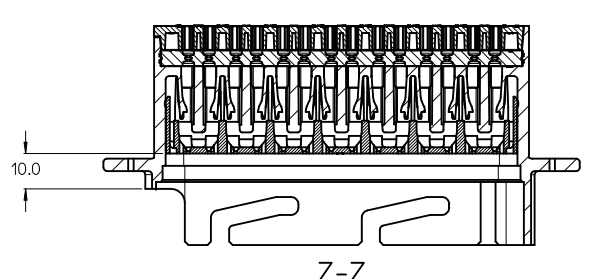


TPA IN CLOSED POSITION



- NOTES:
- MATERIAL:
HOUSINGS: SPS/NYLON BLEND, GLASS FILLED, UL 94 HB
SEAL: LIQUID SILICONE RUBBER
 - MX150 BLADE TERMINALS PER SD-33000-001 TO BE USED WITH THIS ASSEMBLY CRIMPED WITH CABLE INSULATION OUTER DIAMETER IN THE RANGE 1.5mm TO 2.69mm
 - PRODUCT SPECIFICATION: PS-85070-001
 - PACKAGING SPECIFICATION: PK-85071-001, FRONT COVER SHIPPED IN EITHER CLOSED OR PRE-LOAD POSITION
 - MATES WITH: SRC RECEPTACLE ASSEMBLY PER SD-85070-500
 - APPLICATION SPECIFICATION: AS-85070-001
 - FLANGE GASKET OPTIONS: REFER TO SD-85071-016

TPA IN PRELOAD POSITION



No.	DESCRIPTION	QTY.	COLOUR
4	MALE BACK SEAL	1	TRANSPARENT
3	MALE REAR COVER	1	BLACK
2	MALE FRONT COVER	1	BLACK
1	MALE HOUSING	1	BLACK
BILL OF MATERIAL			

ADD NOTE 7 & REF DIMS EC NO: WIEU2012-0136 DRAWN: DSHEA 2012/02/06 CHKD: JMALACE 2012/02/10 APPR: EFCOLAN 2012/02/22	QUALITY SYMBOLS $\nabla=0$ $\nabla=0$	GENERAL TOLERANCES (UNLESS SPECIFIED) <table border="1"> <tr> <th></th> <th>mm</th> <th>INCH</th> </tr> <tr> <td>4 PLACES</td> <td>$\pm .005$</td> <td>$\pm .0004$</td> </tr> <tr> <td>3 PLACES</td> <td>$\pm .002$</td> <td>$\pm .0001$</td> </tr> <tr> <td>2 PLACES</td> <td>± 0.20</td> <td>$\pm .0079$</td> </tr> <tr> <td>1 PLACE</td> <td>± 0.5</td> <td>$\pm .0197$</td> </tr> </table> ANGULAR $\pm .5^\circ$		mm	INCH	4 PLACES	$\pm .005$	$\pm .0004$	3 PLACES	$\pm .002$	$\pm .0001$	2 PLACES	± 0.20	$\pm .0079$	1 PLACE	± 0.5	$\pm .0197$	DIMENSION STYLE MM ONLY	SCALE 1:1	DESIGN UNITS METRIC	THIRD ANGLE PROJECTION	DRAWN BY: CSEBASTIAN DATE: 2007/07/27 CHECKED BY: MMUELLER DATE: 2007/08/21 APPROVED BY: TREMHOF DATE: 2007/08/21	TITLE SRC MALE 84 PIN BLADE HOUSING ASSEMBLY
				mm	INCH																		
4 PLACES	$\pm .005$	$\pm .0004$																					
3 PLACES	$\pm .002$	$\pm .0001$																					
2 PLACES	± 0.20	$\pm .0079$																					
1 PLACE	± 0.5	$\pm .0197$																					
DRAFT WHERE APPLICABLE MUST REMAIN WITHIN DIMENSIONS	MATERIAL NO. 850710100	DOCUMENT NO. SD-85071-100	SHEET NO. 1 OF 1																				