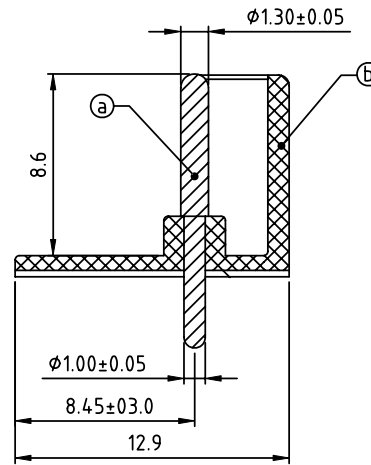
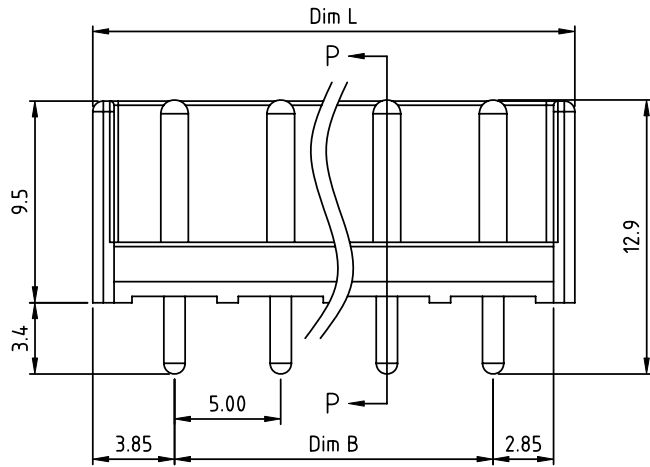
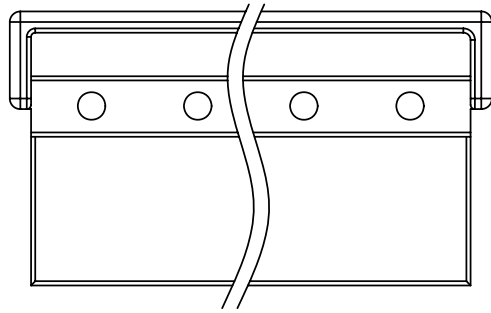
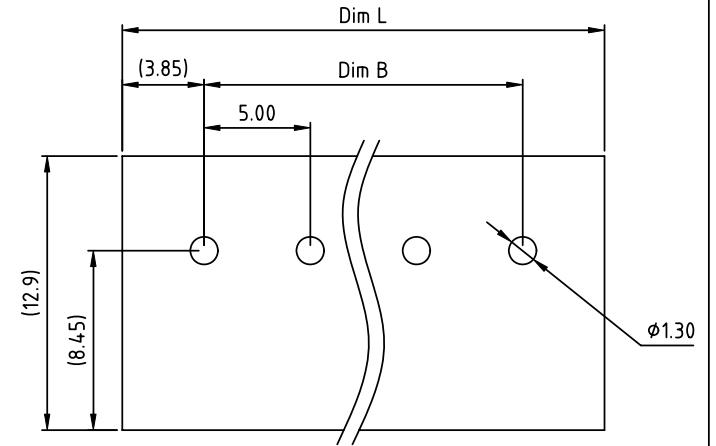


PRODUCT NUMBER	PITCH
EXxx0xx000J0G	5.00 mm



Section P-P



RECOMMENDED P.C.B LAYOUT  
TOP VIEW

Material

- Item Ⓐ Pin: Brass, Tin or Au plated.
- Item Ⓑ Terminal (housing): Thermoplastic (UL94V-0)

Electrical cULus

- Voltage rating: 300V
- Current rating: 10A
- Withstanding Voltage: 1.6KV
- Operating temperature: -40°C to +115°C
- Soldering temperature: 260°C±5°C/5 Sec
- Safety Approval:

PART NO.: EX xx 0 x x 0 00J 0 G

N=NUMBER OF POLES

Dim L=N×5.00+2.7
Dim B=(N-1)×5.00

POLES	Tolerance
2P-6P	±0.15
7P-12P	±0.20
13P-18P	±0.25
19P-24P	±0.30

Solid block		Tin plating		Color		RoHS compliant	
No. of poles	1	G/F plating	2			(lead<4%)	In copper Alloy
02	2 poles		3	Black (RAL9005)			
03	3 poles		4	Red (RAL3001/D)			
...	...		5	Orange(RAL2011/P)			
24	24 poles		6	Yellow(RAL1018/A)			
			7	Green(RAL6018/T)			
			8	Blue (RAL5015/A)			
			9	Grey(RAL7035/D)			
			C	White(RAL1102)			
				Green(RAL6018/U)			

mat'l. code				surface ASME Y14.5 ✓		tolerance ASME Y14.5		projection		product family	
ltr ecn no dr date				tolerances unless otherwise specified		X.±0.5		MM		TERMINAL BLOCK	
				angles		X.X±0.3				title	
				X*±1*		X.XX±0.1		scale		TERMINAL BLOCK	
				dr		EVIN ZHONG 041714				PLUGGABLE SOCKET,VERTICAL	
				enr		EVIN ZHONG 041714				dwg no	
				chr		HANKE FENG 041714				sheet 1 of 1	
				appd		SHI JUN 041714				size	
										A4	
sheet index				revision						type	
				A						CUSTOMER Drawing	
sheet 1											