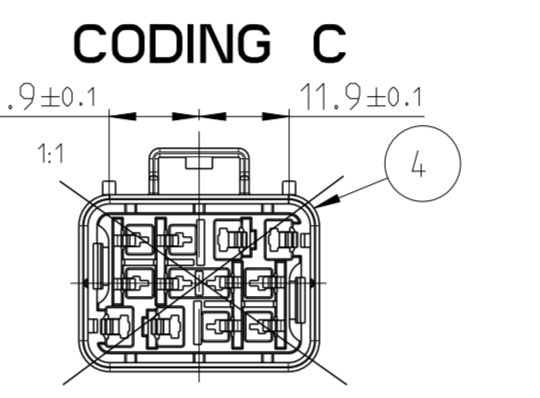
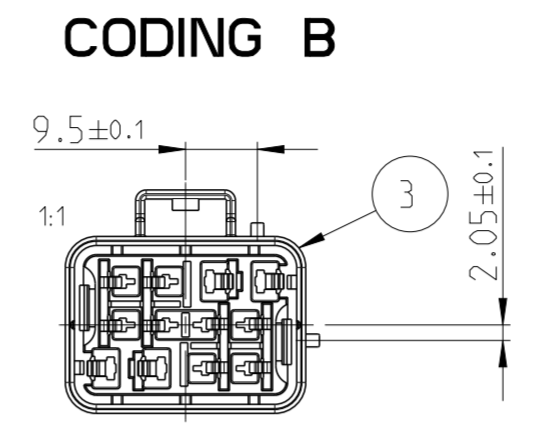
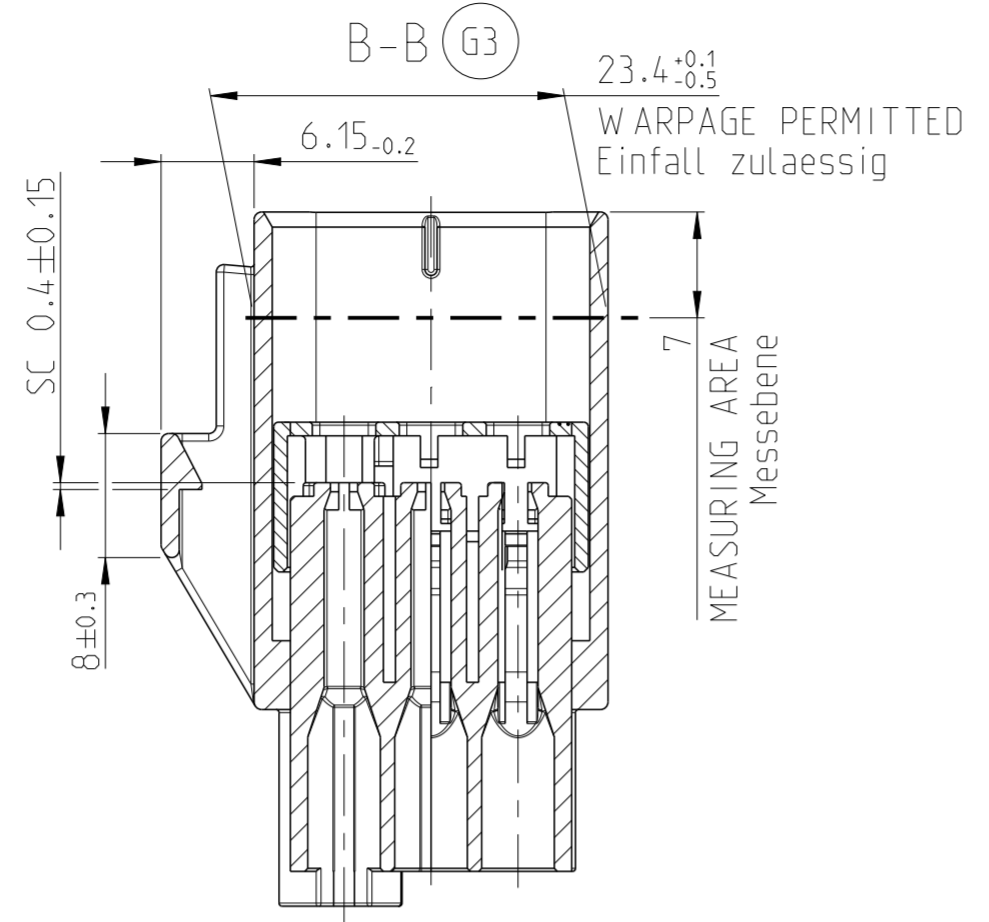
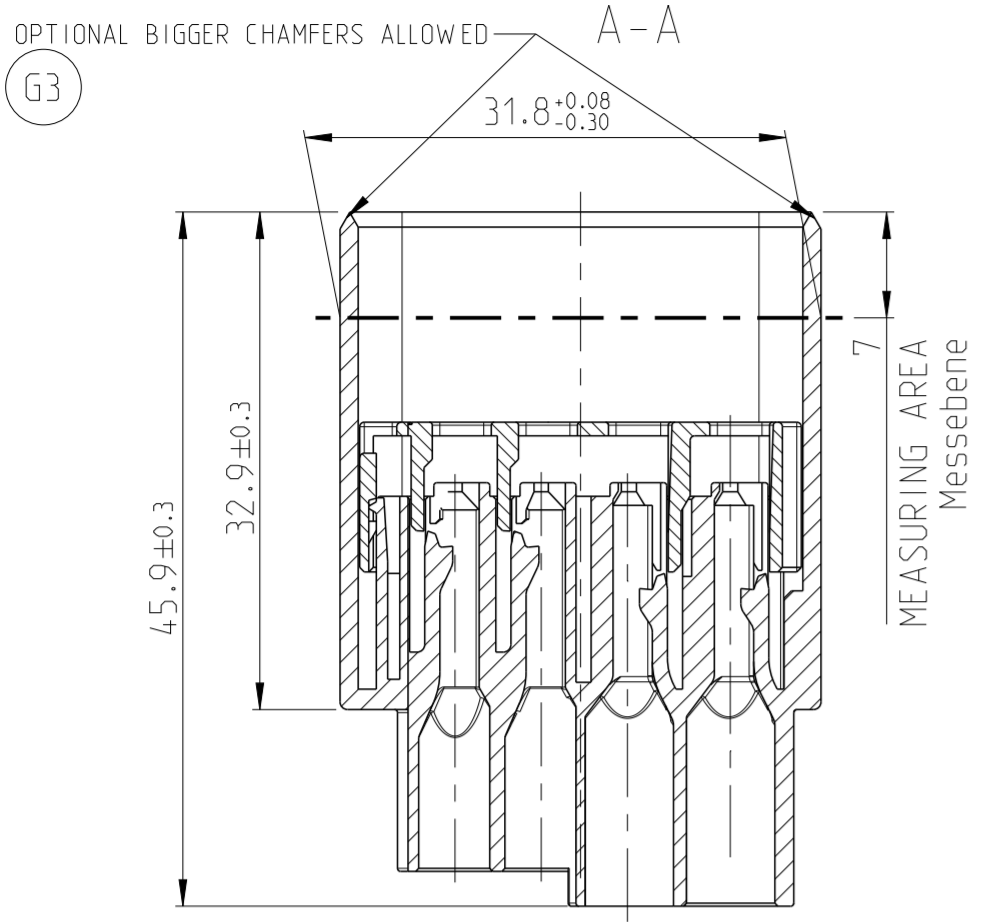
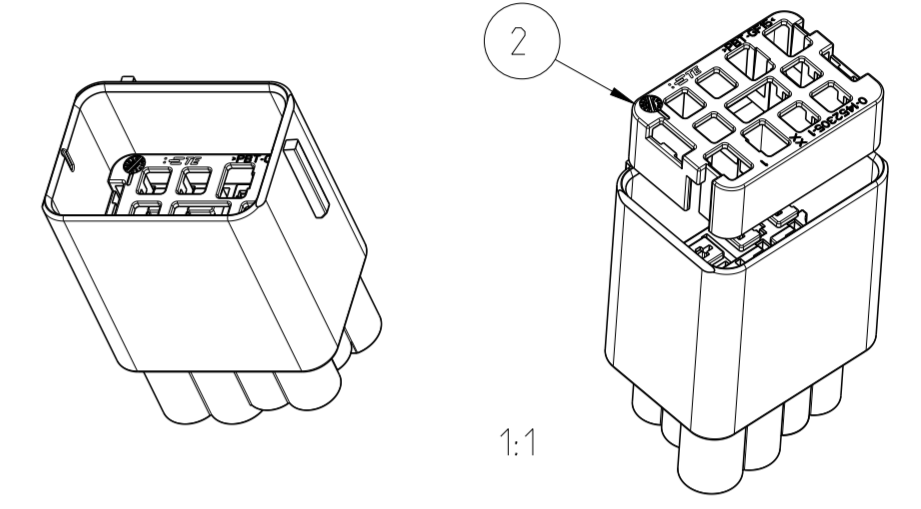


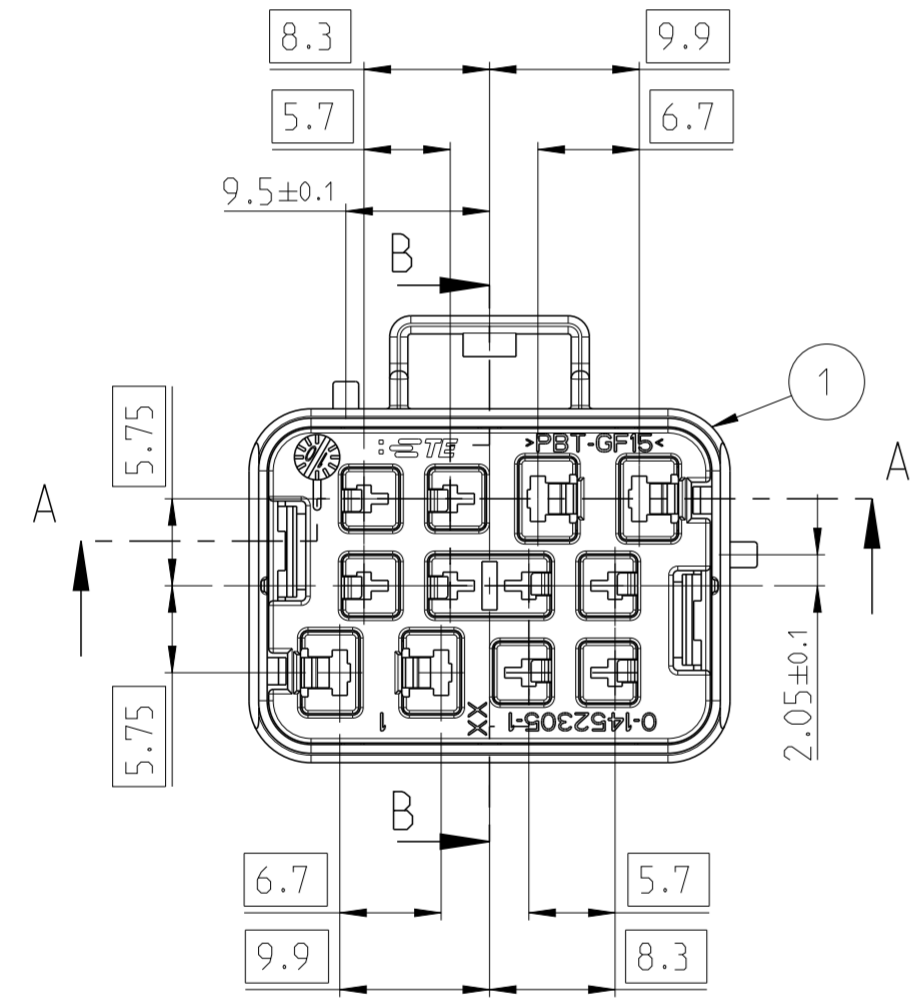
REVISIONS					
P	LTR	DESCRIPTION	DATE	DWN	APVD
G2		SEE PCN E-14-018294	08DEC2014	MK	KR
G3		ECR-15-002126	09FEB2015	GP	KR



1.5MM MALE TERMINAL SEALED  
 SUITABLE TERMINALS: FORD CAT2 (SUPPLIER YAZAKI)  
 2.8MM MALE TERMINAL SEALED  
 SUITABLE TERMINALS: FORD CAT3 (SUPPLIER YAZAKI OR TE)



**CODING A**



**PINOUT CONFIGURATION**  
 Pinoutkonfiguration

CODING A												
3-1452303-1	X	X	X	X	X			X	X	X	X	X
1-1452303-1	X	X	X	X	X			X	X	X	X	X
0-1452303-1												
	1	2	3	4	5	6	7	8	9	10	11	12

WITH "X" MARKED INDICATE CLOSED LOCATIONS  
 Markierte Felder mit "X" kennzeichnen geschlossene Kammern  
 BLANKED CAVITIES INDICATE OPEN LOCATIONS FOR TERMINALS  
 Leere Felder kennzeichnen offene Kammern fuer Kontakte

CODING B												
4-1452303-1	X	X	X	X	X					X	X	
2-1452303-1	X	X	X	X	X					X	X	
0-1452303-2												
	1	2	3	4	5	6	7	8	9	10	11	12

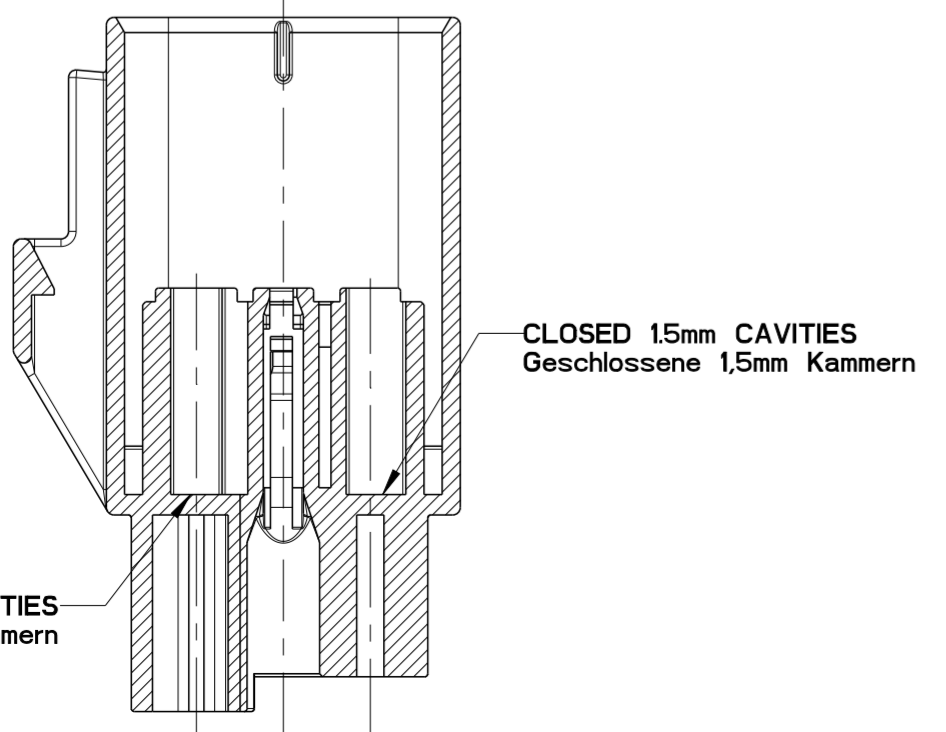
WITH "X" MARKED INDICATE CLOSED LOCATIONS  
 Markierte Felder mit "X" kennzeichnen geschlossene Kammern  
 BLANKED CAVITIES INDICATE OPEN LOCATIONS FOR TERMINALS  
 Leere Felder kennzeichnen offene Kammern fuer Kontakte

CODING C												
0-1452303-3												
	1	2	3	4	5	6	7	8	9	10	11	12

WITH "X" MARKED INDICATE CLOSED LOCATIONS  
 Markierte Felder mit "X" kennzeichnen geschlossene Kammern  
 BLANKED CAVITIES INDICATE OPEN LOCATIONS FOR TERMINALS  
 Leere Felder kennzeichnen offene Kammern fuer Kontakte

- NOTES:  
 Bemerkungen:
- DELIVERY CONDITION: SPACER IN PRE LOCK POSITION  
 Anlieferungszustand: Spacer in Vorraststellung
  - MATED WITH TE PART NO 1452299 AND 1452734  
 passend zu TE Teile Nr. 1452299 und 1452734
- SC SIGNIFICANT CHARACTERISTIC  
 Significantes Merkmal

**CLOSED CAVITIES / Geschlossene Kammern**



1x		1x					PBT-GF20	MALE HSG. CODING B	green	-
	1x		1x				PBT-GF20	MALE HSG. CODING A	black	-
				1x			PBT-GF20	MALE HSG. CODING C	nature	4
						1x	PBT-GF20	MALE HSG. CODING B	green	3
1x	1x	1x	1x	1x	1x	1x	PBT-GF15	SPACER	red	2
						1x	PBT-GF20	MALE HSG. CODING A	black	1
A	A	D	F	-	C	E	REVISION OF EACH ASSY NO (WHEN BLANK, USE DWG REVISION)			
18.3	18.3	18.3	18.3	-	18.3	18.3	WEIGHT OF EACH ASSY NO [g]			
4-1452303-1	3-1452303-1	2-1452303-1	1-1452303-1	0-1452303-3	0-1452303-2	0-1452303-1	TE ASSY PN			
<b>B</b>	<b>A</b>	<b>B</b>	<b>A</b>	<b>C</b>	<b>B</b>	<b>A</b>	<b>CODING</b>			
2-1452299-1	1-1452299-1	2-1452299-1	1-1452299-1	0-1452299-3	0-1452299-2	0-1452299-1	MATING COMPONENT TE ASSY PN			
PARTS LIST										

THIS DRAWING IS A CONTROLLED DOCUMENT.

DIMENSIONS: mm

TOLERANCES UNLESS OTHERWISE SPECIFIED:

0 PLC	±
1 PLC	±
2 PLC	±
3 PLC	±
4 PLC	±
ANGLES	#5
FINISH	-

DWN G.PUCKEL 16OCT2001  
 CHK S.DENTER 16OCT2001  
 APVD G.MUMPER 16OCT2001

PRODUCT SPEC -  
 APPLICATION SPEC 114-18487  
 WEIGHT -  
 CUSTOMER DRAWING

NAME 12 POS. INLINER TO REAR-BUMPER CON. ASSY MALE HOUSING

SIZE A2 CAGE CODE 00779 DRAWING NO C-1452303 RESTRICTED TO -

SCALE 2:1 SHEET 1 OF 1 REV G3

TE Connectivity

-1 AS SHOWN  
 wie gezeichnet