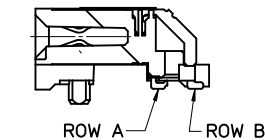


68 CIRCUIT ASSEMBLY SHOWN



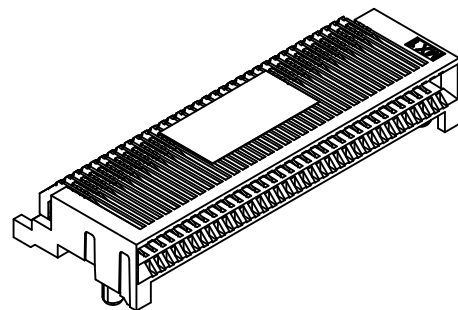
SECTION A-A

CIRCUIT SIZE	ITEM NUMBER	PLATING OPTION	DIM 'A'	DIM 'B'	DIM 'C'
26	75586-0004	OPTION 1	13.40	11.80	12.00
26	75586-0009	OPTION 2	13.40	11.80	12.00
36	75586-0003	OPTION 1	17.40	15.80	16.00
36	75586-0008	OPTION 2	17.40	15.80	16.00
38	75586-0010	OPTION 1	18.20	16.60	16.80
38	75586-0011	OPTION 2	18.20	16.60	16.80
50	75586-0001	OPTION 1	23.00	21.40	21.60
50	75586-0006	OPTION 2	23.00	21.40	21.60
68	75586-0002	OPTION 1	30.20	28.60	28.80
68	75586-0007	OPTION 2	30.20	28.60	28.80

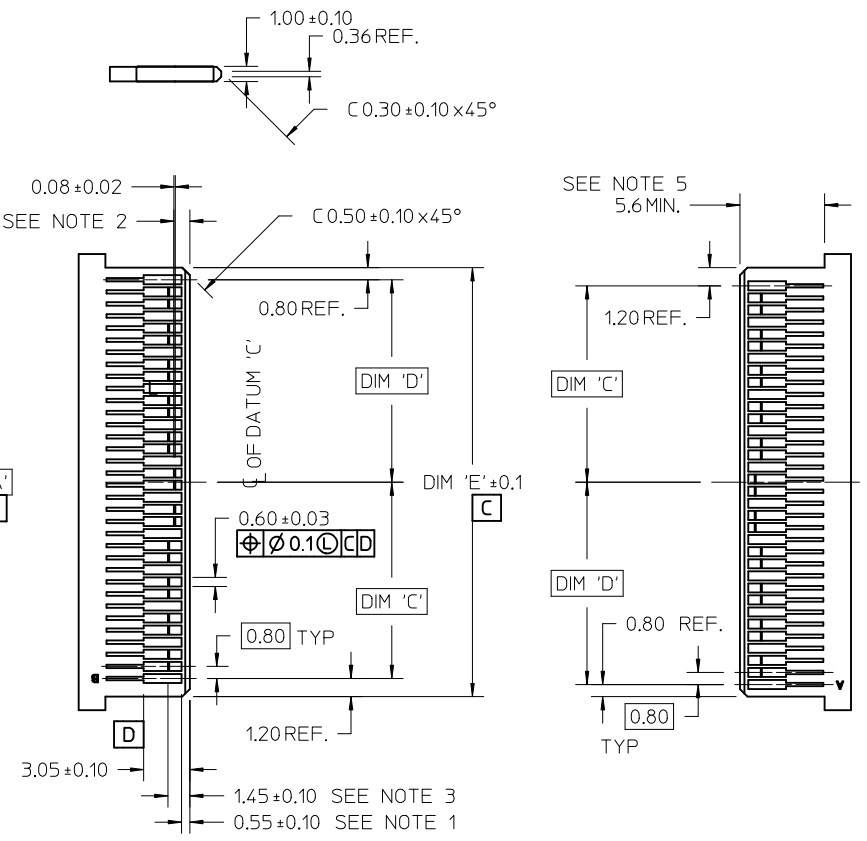
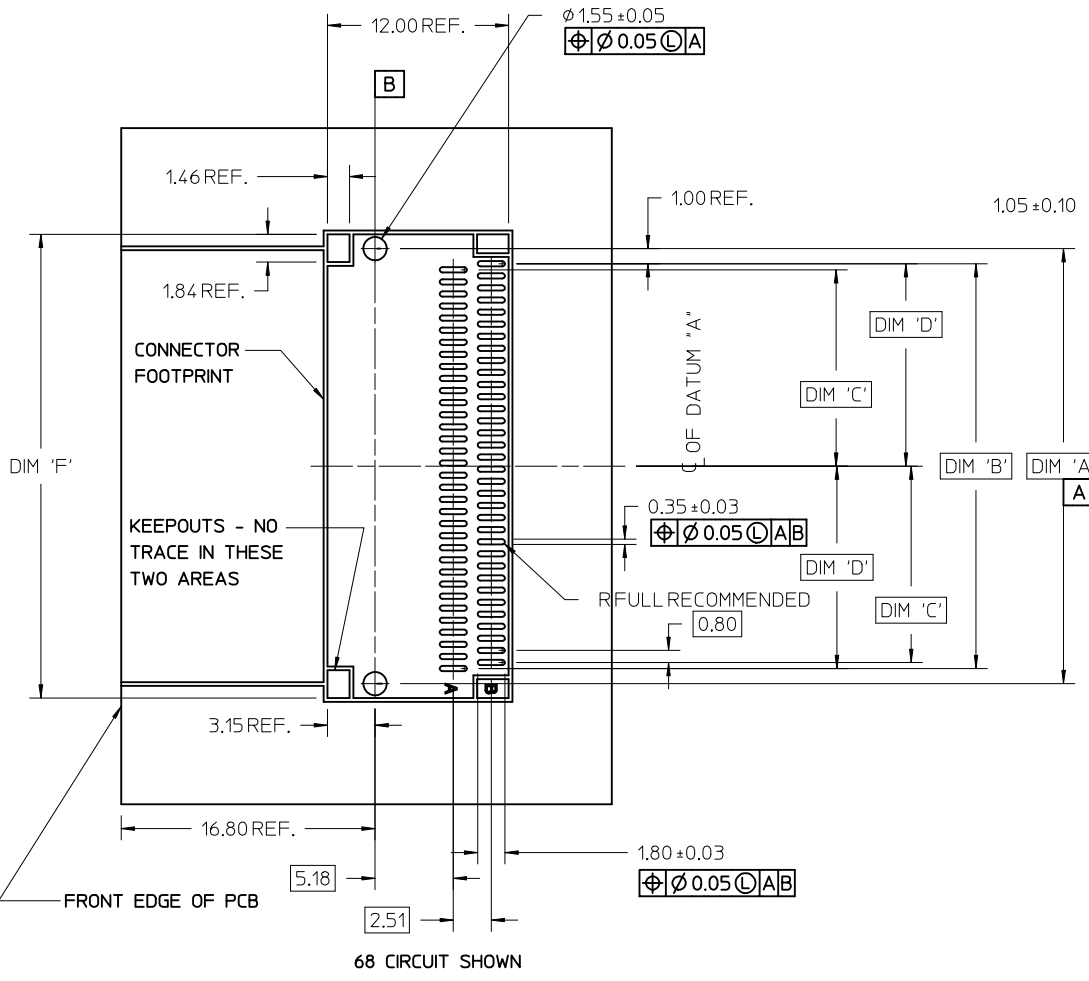
NOTES

- MATERIAL:
HOUSING - HIGH TEMPERATURE THERMOPLASTIC GLASS FILLED,
UL 94V-0, BLACK
TERMINALS - COPPER ALLOY
- PLATING:
OPTION 1
CONTACT AREA - 0.38 μm MIN GOLD OVER 2.54 μm MIN NICKEL
SOLDER FOOT AREA - 2.54 - 5.09 μm TIN OVER 1.27 μm MIN NICKEL.
OPTION 2
CONTACT AREA - 0.76 μm MIN GOLD OVER 2.54 μm NICKEL
SOLDER AREA - 2.54 - 5.09 μm TIN OVER 1.27 μm MIN NICKEL.
- TERMINAL SOLDER FEET TO BE COPLANAR WITHIN 0.10/004 MEASURED FROM FRONT HOUSING STAND OFF (DATUM E)
- DATE CODE: 4 DIGIT (3 DIGIT DATE, 1 DIGIT YEAR)
- CIRCUIT IDENTIFIER: SEE APPROPRIATE INDUSTRY SPECIFICATION FOR LOCATION OF PIN 1
- TO BE USED WITH EXTERNAL CABLES (74546 & 74547 SERIES) AND GUIDE FRAMES (74540 & 74548 SERIES)
- TESTER/ANALYZER CABLES AVAILABLE (74557 & 74558 SERIES)
- PACKAGED PER PACKAGING SPECIFICATION: PK-75586-002
- CONFORMS TO PRODUCT SPECIFICATION: PS-75586-001
- THIS PART CONFORMS TO CLASS C REQUIREMENTS OF COSMETIC SPECIFICATION PS-45499-002.

iPass™ IS A TRADEMARK OF MOLEX



REVISED NOTE 2 IEC NO: UCP2012-4064 DRWN: TMCLELL 2012/06/26 CHKD: APPR: MBANAKIS 2012/06/28 REV: G2	QUALITY SYMBOLS ▽=0 ▽=0 ▽=0	GENERAL TOLERANCES (UNLESS SPECIFIED)		DIMENSION STYLE MM ONLY		SCALE 4:1	DESIGN UNITS METRIC	THIRD ANGLE PROJECTION		
		mm	INCH	DRAWN BY KREGNIER	DATE 07/28/04	I-PASS R/A CONNECTOR EXTERNAL ASSEMBLY .8 MM PITCH I/O molex DOCUMENT NO. SD-75586-001 SHEET NO. 1 OF 3				
		4 PLACES ± ---	± ---	CHECKED BY JLONG	DATE 07/29/04					
		3 PLACES ± ---	± ---	APPROVED BY RNELSON	DATE 07/30/04					
2 PLACES ± 0.13	± ---	MATERIAL NO.								
1 PLACE ± 0.25	± ---	DRAFT WHERE APPLICABLE MUST REMAIN WITHIN DIMENSIONS		SEE CHART		THIS DRAWING CONTAINS INFORMATION THAT IS PROPRIETARY TO MOLEX INCORPORATED AND SHOULD NOT BE USED WITHOUT WRITTEN PERMISSION				
0 PLACE ±	±	ANGULAR ±1/2°		SIZE C						



- NOTES:**
- PAD CONFIGURATION FOR FIRST MATE.
 - PAD CONFIGURATION FOR SECOND MATE.
 - PAD CONFIGURATION FOR THIRD MATE (HIGH SPEED SIGNALS).
 - FOR PIN ASSIGNMENTS AND MATING SEQUENCE (1ST, 2ND, 3RD), SEE APPLICABLE SPECIFICATION.
 - MINIMUM STEP REQUIRED IF PCB MADE WIDER THAN CARD TOUNGE.
 - SEE 74540 OR 74548 SERIES FOR GUIDE FRAME FOOT PRINT AND KEEP OUT AREA.

iPass™ IS A TRADEMARK OF MOLEX

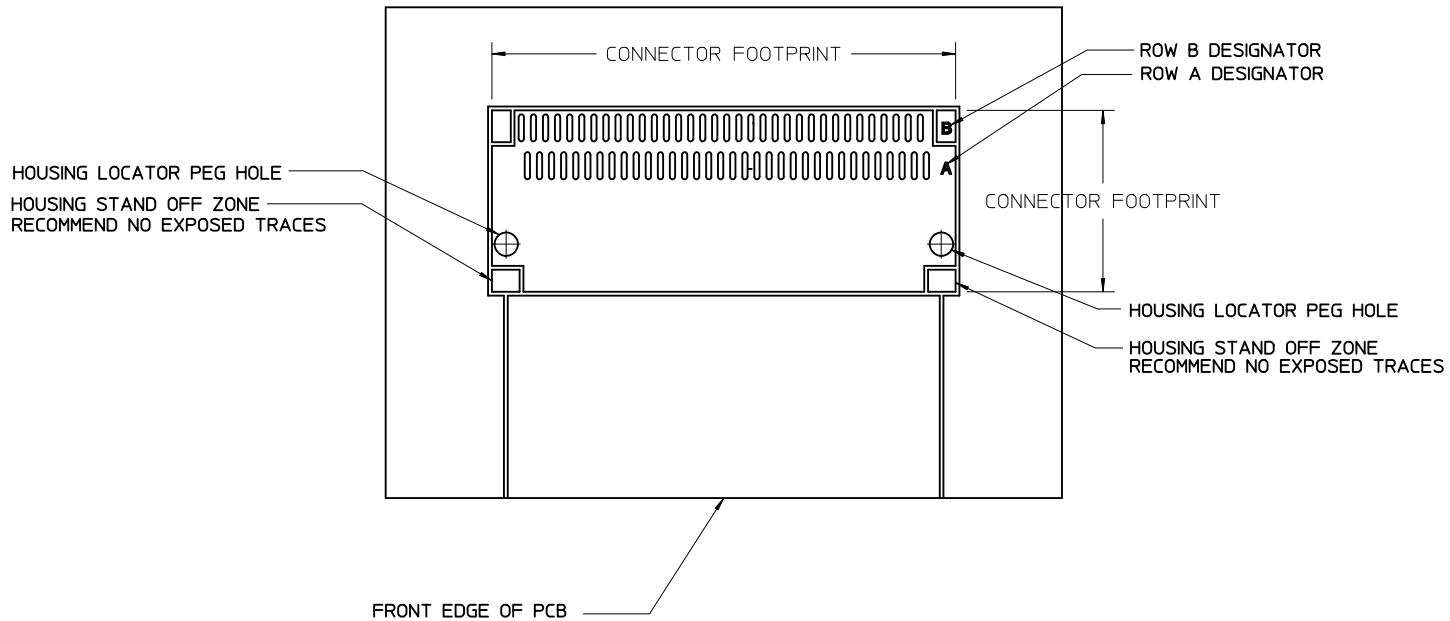
CIRCUIT SIZE	TERM/SIDE 'N'	DIMENSIONS					
		DIM 'A'	DIM 'B'	DIM 'C'	DIM 'D'	DIM 'E'	DIM 'F'
26	13	12.00	10.00	4.60	5.00	11.60	13.90
36	18	16.00	14.00	6.60	7.00	15.60	17.90
38	19	16.80	14.80	7.00	7.40	16.40	18.70
50	25	21.60	19.60	9.40	9.80	21.20	23.50
68	34	28.80	26.80	13.00	13.40	28.40	30.70

SEE SHEET 1	QUALITY SYMBOLS
EC NO: UCP2012-4064	▽=0
DRWN:MCLELL 2012/06/26	▽=0
CHKD:	▽=0
APPR:MBANAKIS 2012/06/28	
REV	

GENERAL TOLERANCES (UNLESS SPECIFIED)	
4 PLACES ± ---	± ---
3 PLACES ± ---	± ---
2 PLACES ± 0.13	± ---
1 PLACE ± 0.25	± ---
0 PLACE ±	±
ANGULAR ±1/2°	
DRAFT WHERE APPLICABLE MUST REMAIN WITHIN DIMENSIONS	

DIMENSION STYLE MM ONLY	
DRAWN BY	DATE
CHECKED BY	DATE
APPROVED BY	DATE
MATERIAL NO.	DOCUMENT NO.
SEE CHART	

SCALE 4:1	DESIGN UNITS METRIC	THIRD ANGLE PROJECTION
I-PASS R/A CONNECTOR EXTERNAL ASSEMBLY .8 MM PITCH I/O		
molex		
SD-75586-001		SHEET NO. 2 OF 3
THIS DRAWING CONTAINS INFORMATION THAT IS PROPRIETARY TO MOLEX INCORPORATED AND SHOULD NOT BE USED WITHOUT WRITTEN PERMISSION		



iPass™ IS A TRADEMARK OF MOLEX

SEE SHEET 1 EC NO: UCP2012-4064 DRAWN: TMCLELL 2012/06/26 CHKD: APPR: MBANAKIS 2012/06/28	QUALITY SYMBOLS	GENERAL TOLERANCES (UNLESS SPECIFIED)	DIMENSION STYLE	SCALE	DESIGN UNITS	THIRD ANGLE PROJECTION
	▽=0	mm INCH	MM ONLY	4:1	METRIC	
	▽=0	4 PLACES ± --- ± ---	DRAWN BY DATE	TITLE I-PASS R/A CONNECTOR EXTERNAL ASSEMBLY .8 MM PITCH I/O molex		
	▽=0	3 PLACES ± --- ± ---	KREGNIER 07/28/04			
REV	DESCRIPTION	ANGULAR ±1/2°	CHECKED BY DATE	DOCUMENT NO. SD-75586-001 SHEET NO. 3 OF 3		
G2		DRAFT WHERE APPLICABLE MUST REMAIN WITHIN DIMENSIONS	JLONG 07/29/04			
			APPROVED BY DATE	THIS DRAWING CONTAINS INFORMATION THAT IS PROPRIETARY TO MOLEX INCORPORATED AND SHOULD NOT BE USED WITHOUT WRITTEN PERMISSION		
			RNELSON 07/30/04			