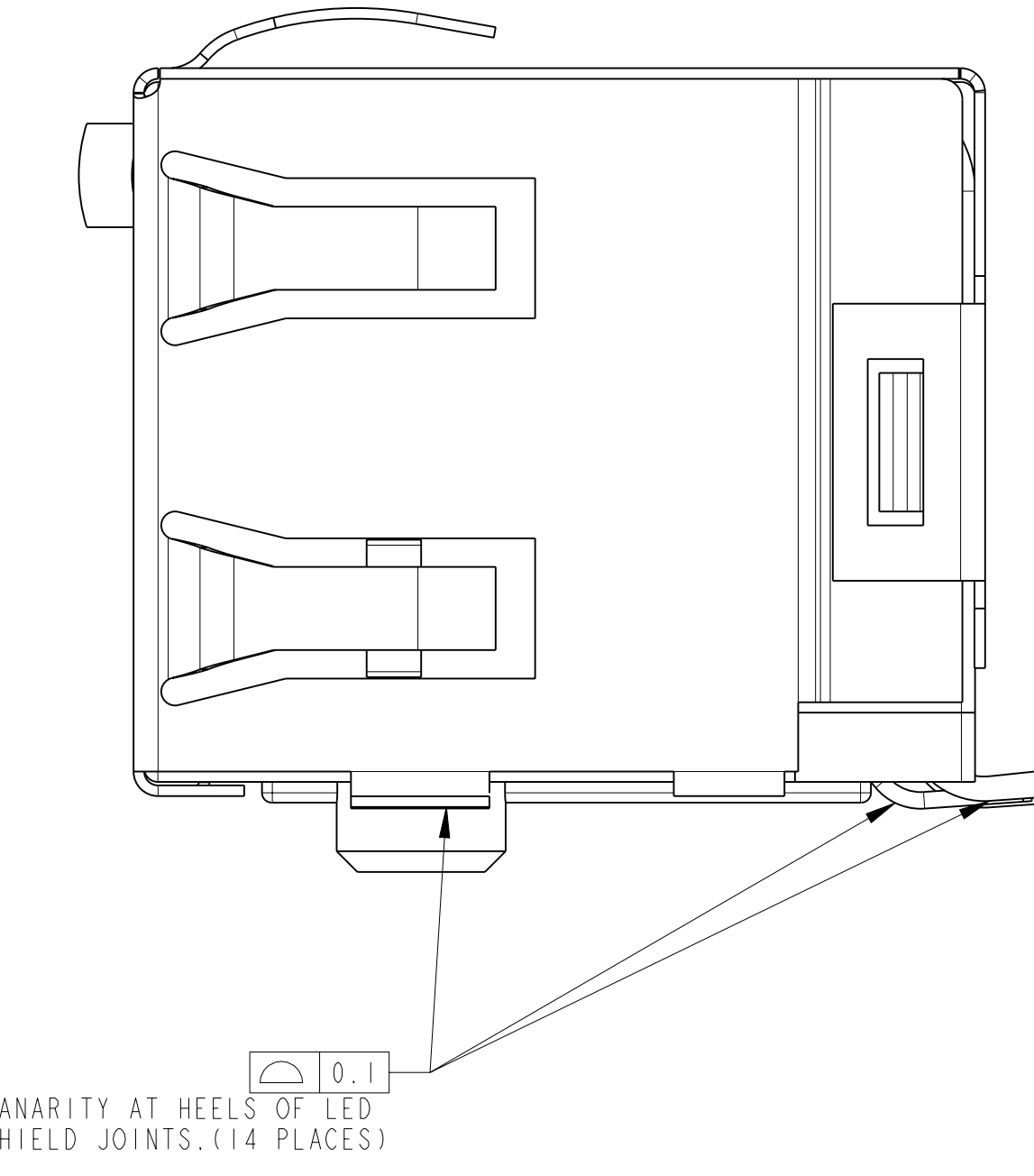
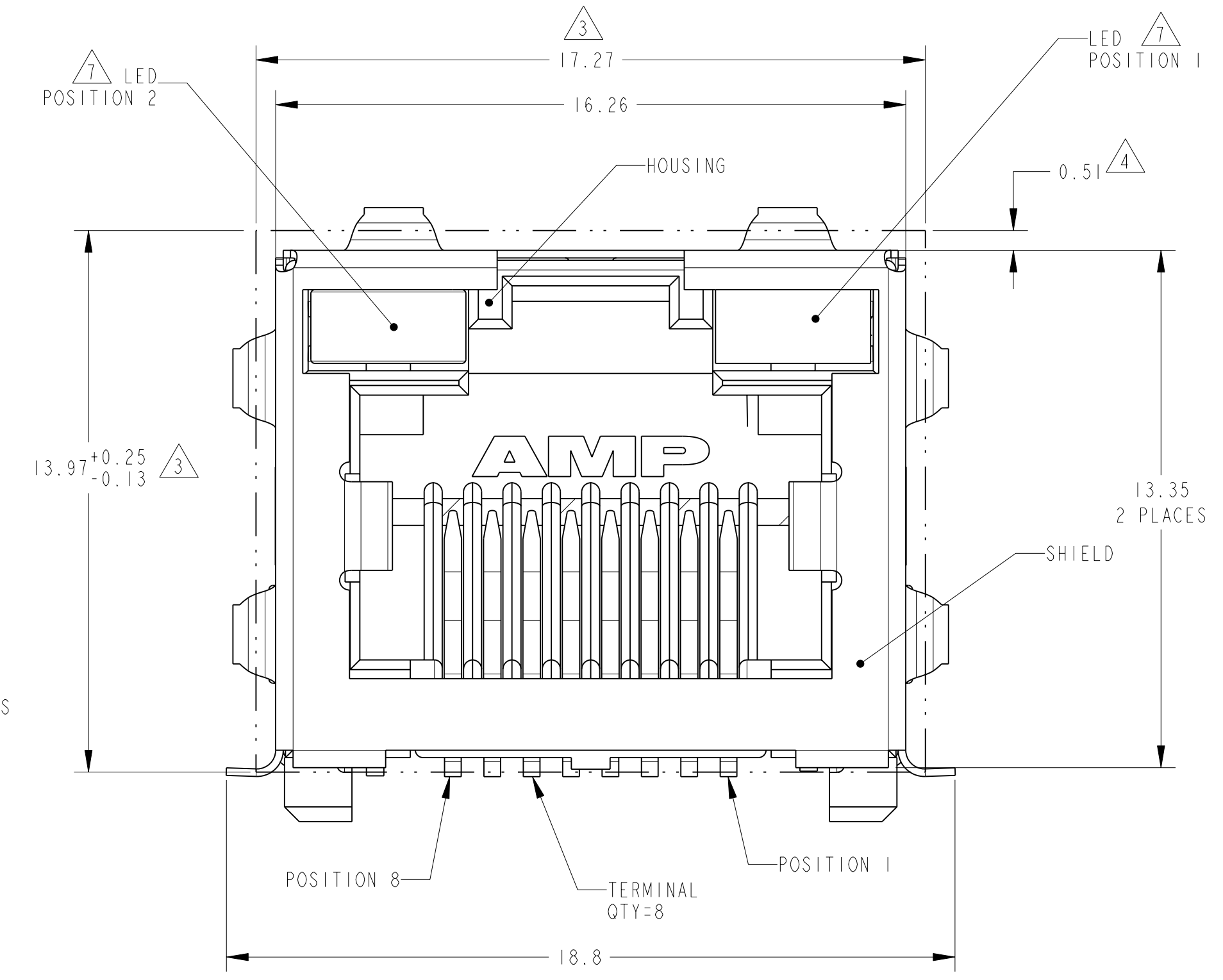
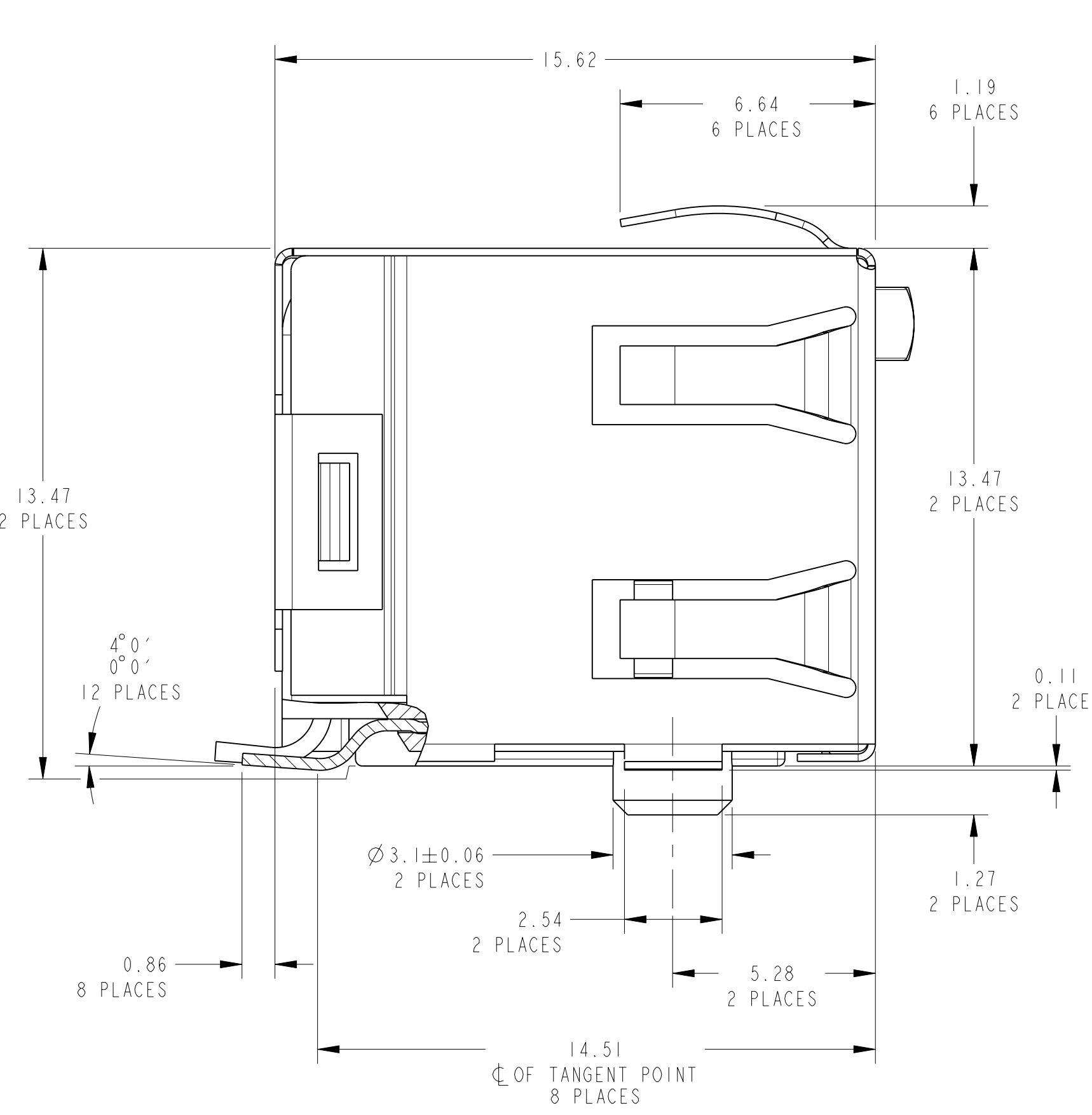
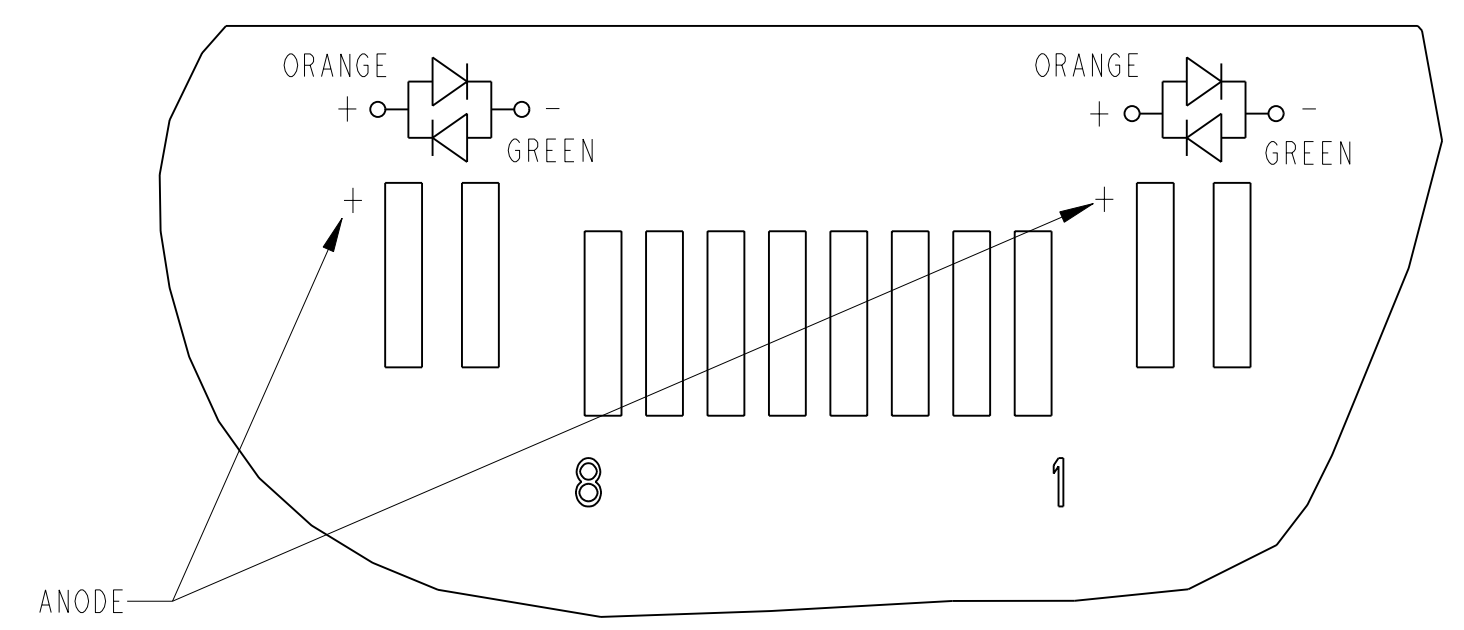
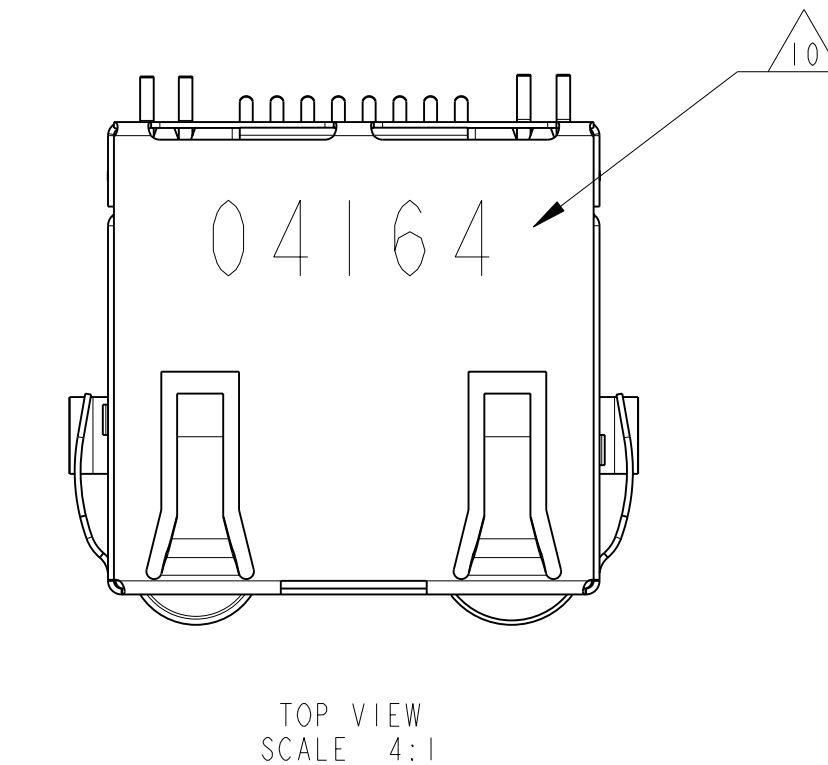
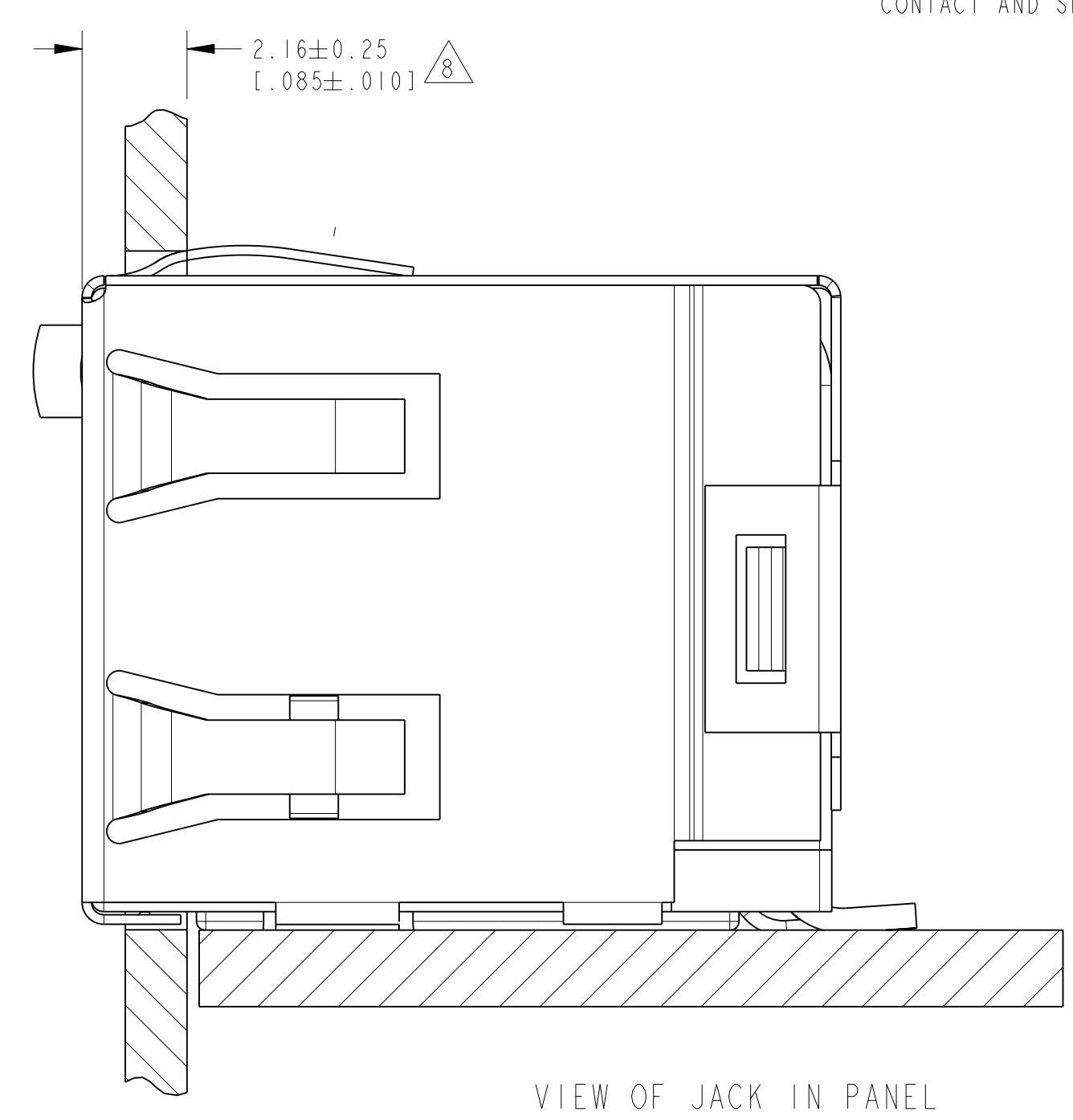
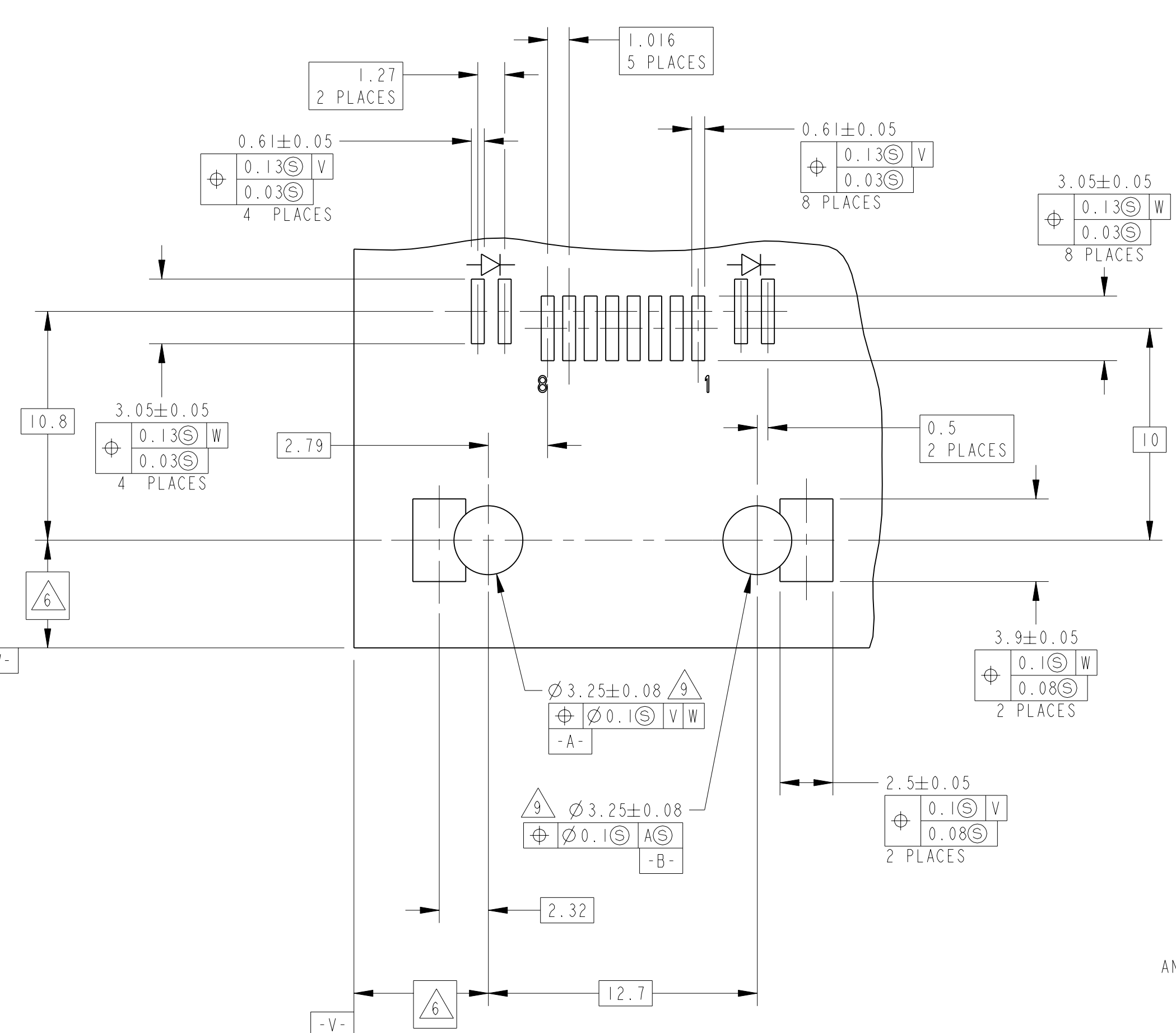


LOC	DIST	REV	DATE	BY	APPD
IR	-	E	18NOV2011	PS	RRP

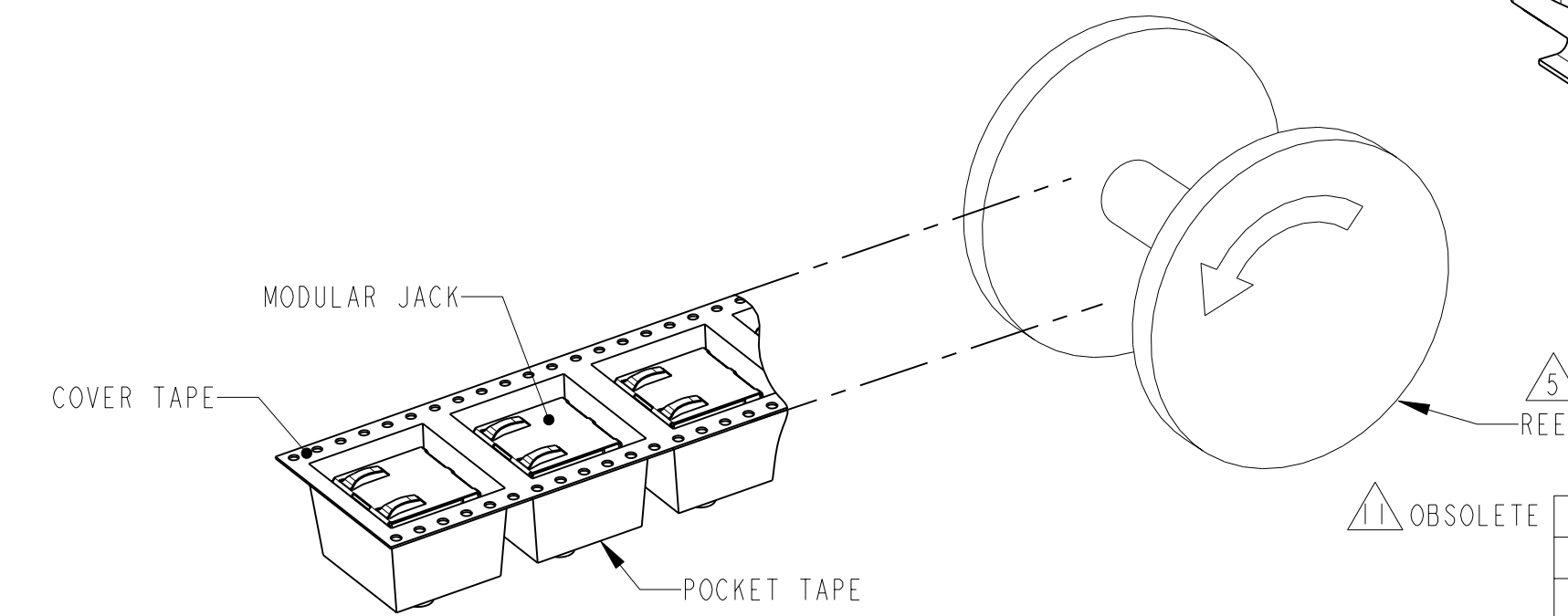
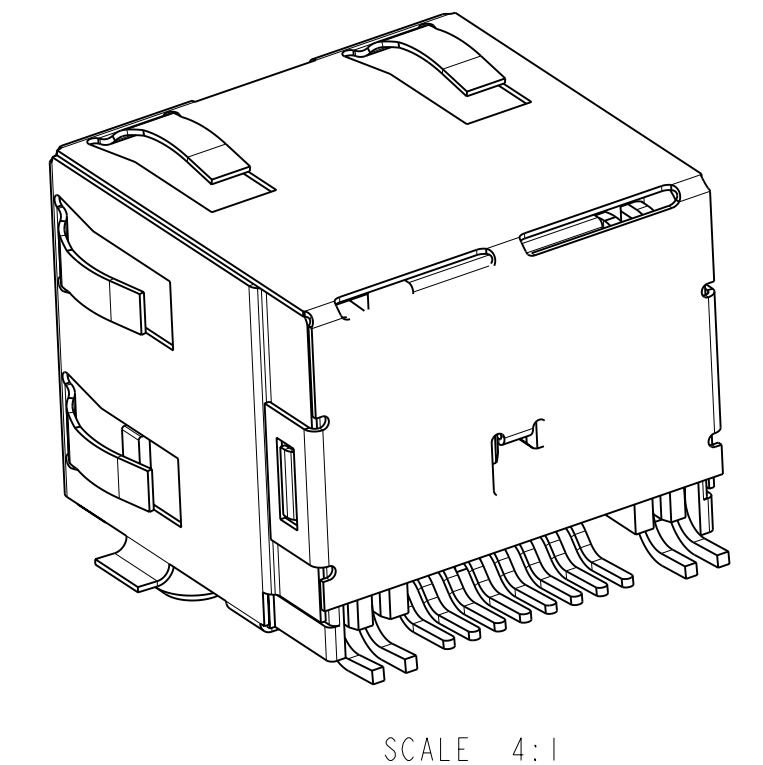


- MATERIAL: HOUSING - HIGH TEMP THERMOPLASTIC - LCP, BLACK, UL94V-0
TERMINALS - 0.30 THICK PHOS BRONZE PLATED WITH 3-81µm MINIMUM THICK MATTE TIN IN SOLDER AREA, 1.27µm MINIMUM THICK GOLD IN LOCALIZED PLATE AREA. ENTIRE TERMINAL PLATED WITH 1.27µm MINIMUM THICK NICKEL.
SHIELD - 0.196 THICK COPPER ZINC ALLOY PREPLATED WITH 2.03µm-3.81µm THICK MATTE TIN OVER 1.27µm THICK NICKEL.
LIGHT EMITTING DIODE (LED) -- DIFFUSED EPOXY LENS, 0.51 X 0.51 (.020 X .020) CARBON STEEL WIREFRAME LEADS PREPLATED WITH 8.89 µm (.00080) THICK Ag OVER 1.02 µm (.00040) THICK Cu OVER 3.56 µm (.00140) THICK Ni OVER 1.02 µm (.00040) Cu UNDERPLATE.
 - JACK CAVITY CONFORMS TO FCC RULES AND REGULATIONS PART 68, SUBPART F
- 3 SUGGESTED PANEL OPENING DIMENSIONS. SEE APPLICATION SPEC 114-2154 FOR PANEL THICKNESS AND POSITION RECOMMENDATIONS
- 4 SUGGESTED CLEARANCE BETWEEN TOP OF CONNECTOR AND TOP PANEL OPENING
- 5 PACKAGED: POCKET TAPE & REEL (PER EAI 481 SPECIFICATIONS)
- POCKET TAPE WIDTH - 44mm
POCKET PITCH - 24mm
POCKET DEPTH - 16.7mm
- CLEAR COVER TAPE, PSA
CLEAR COVER TAPE TRAILER - 610mm, WRAPPED ON REEL HUB
- PLASTIC REEL - 381mm DIAMETER
- PRODUCT QUANTITY - 200 PIECES PER REEL



SUGGESTED PCB LAYOUT (COMPONENT SIDE)

BI-COLOR LED SCHEMATIC FOR 2-6339191-2 ONLY SCALE 8:1



POSITION 2	POSITION 1	PART NUMBER
RED	GREEN	2-6339191-3
ORANGE/GREEN	ORANGE/GREEN	2-6339191-2
GREEN	ORANGE	2-6339191-1
GREEN	GREEN	6339191-5
GREEN	YELLOW	6339191-4
YELLOW	GREEN	6339191-1

THIS DRAWING IS A CONTROLLED DOCUMENT.

DIMENSIONS: mm	TOLERANCES UNLESS OTHERWISE SPECIFIED:	9 PLC ±	1 PLC ±0.25	2 PLC ±	3 PLC ±	4 PLC ±	ANGLES ±	FINISH SEE NOTE 1
----------------	--	---------	-------------	---------	---------	---------	----------	-------------------

MATERIAL: SEE NOTE 1

THIS DRAWING IS A CONTROLLED DOCUMENT. DWG: B. HOLTZCLAW & MAYER 27 JULY 2005. CHK: J. WESTMAN 27 JULY 2005. APPD: S. FLICKINGER 27 JULY 2005. NAME: INVERTED MODULAR JACK ASSEMBLY, 1x1, SHIELDED, SURFACE MOUNT, 8 POSITION, RJ45, WITH TWO LED'S. PRODUCT SPEC: 108-1163-7. APPLICATION SPEC: 114-6040/114-2154. SIZE: A1. CAGE CODE: 00779. DRAWING NO: 6339191. WEIGHT: -. CUSTOMER DRAWING. SCALE: 5:1. SHEET: 1 OF 1. REV: E.

STC TE Connectivity