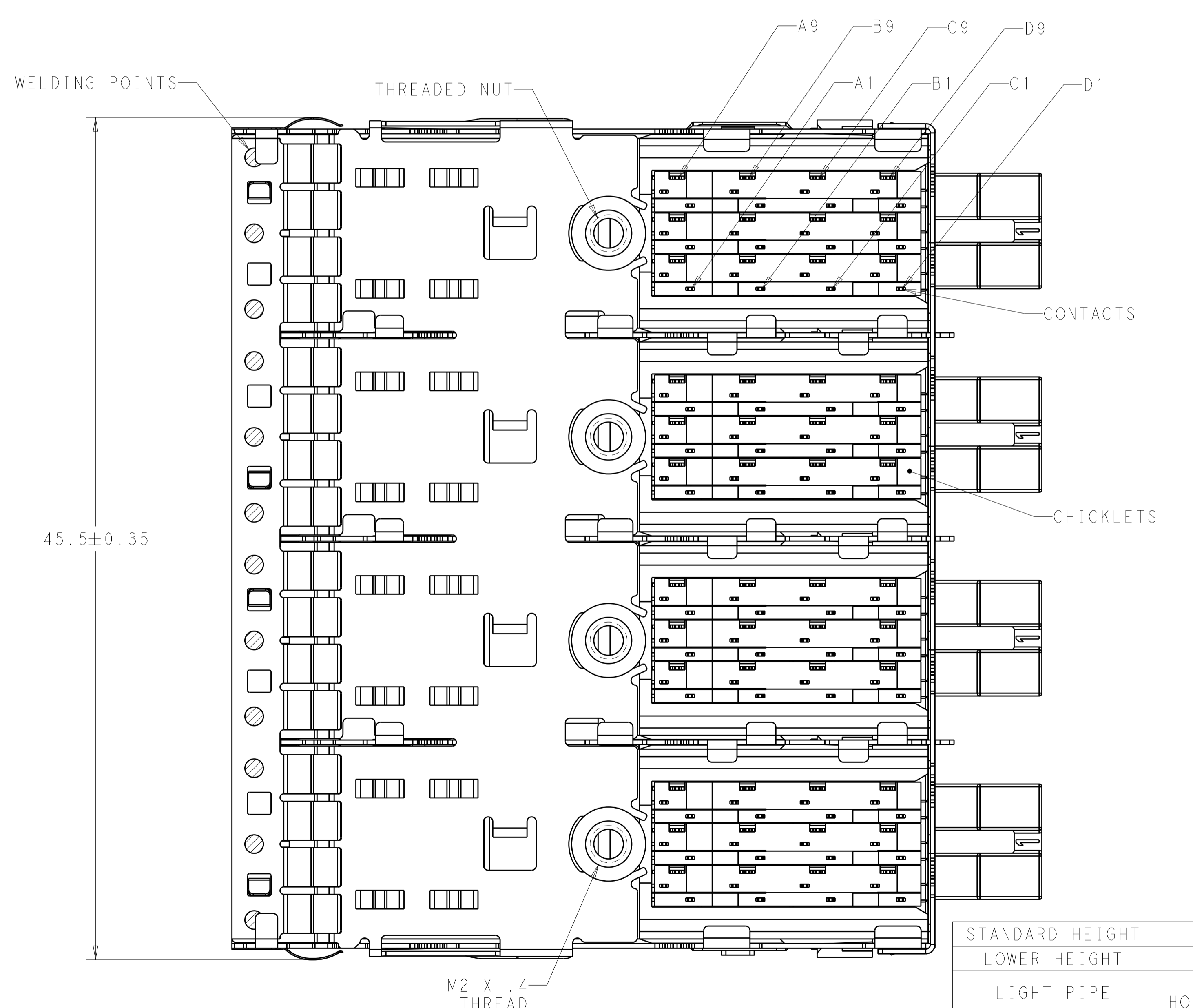
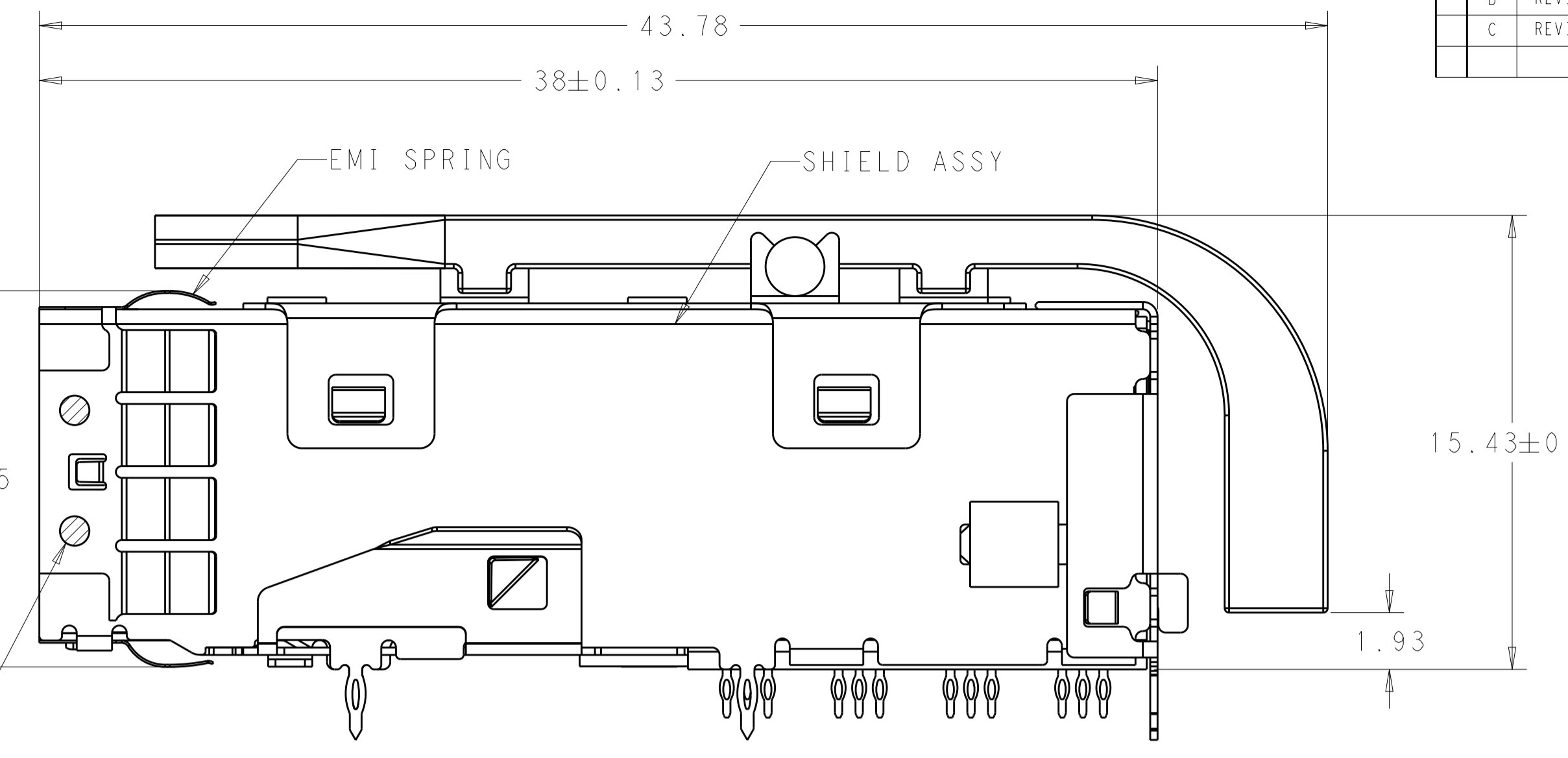
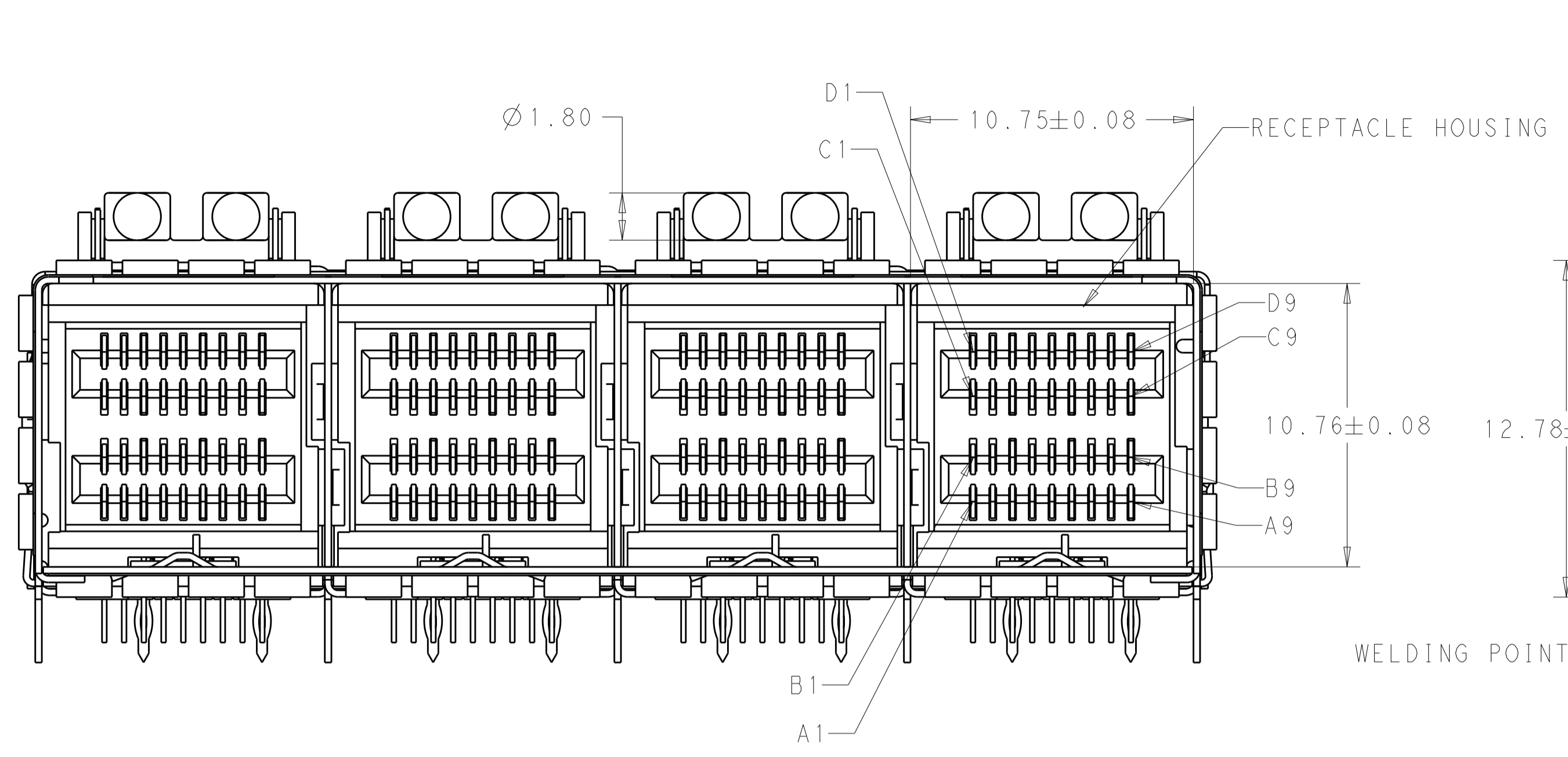


LOC		DIST		REVISIONS			
P	LTN	DESCRIPTION	DATE	DMN	APVD		
A		INITIAL RELEASE	18FEB2014	BM	DG		
B		REVISED PER ECO-14-002851	03MAR2014	BM	DG		
C		REVISED PER ECO-15-013876	19JUN2016	JY	SH		



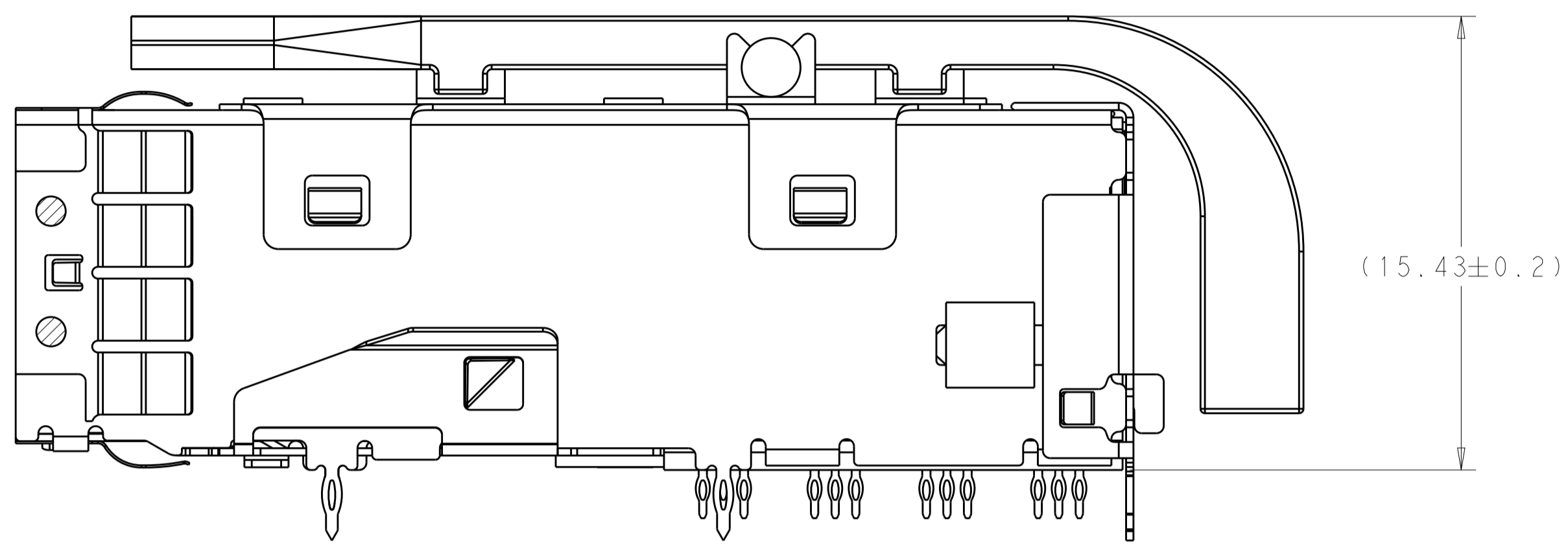
- MATERIALS**  
 RECEPTACLE HOUSING: LCP, BLACK, UL94V-0 RATED  
 SHIELD ASSY: NICKEL-SILVER COPPER ALLOY  
 CONTACTS: COPPER ALLOY  
 EMI SPRING: COPPER ALLOY  
 THREADED NUT: BRASS  
 CHICKLETS: LCP, BLACK, UL 94V-0 RATED  
 LIGHTPIPE CLIP: STAINLESS STEEL  
 LIGHTPIPE: POLYCARBONATE
  - FINISH**  
 EMI SPRING: TIN PLATE OVER NICKEL PLATE  
 NON-PLATED EDGES PERMISSABLE  
 THREADED NUT: NICKEL PLATE
- 3 CONTACT FINISH: 0.76µm MIN GOLD PLATE IN CONTACT AREA, 1.25µm MIN TIN ON PCB TAILS. ALL OVER 1.27µm MIN NICKEL UNDERPLATE.
4. THREAD LENGTH OF FASTENER = PCB THICKNESS+1.45 MAX
5. THIS PRODUCT HAS NOT COMPLETED VALIDATION/QUALIFICATION TESTING
- 6 RECOMMENDED TRACE KEEP OUT ZONE

STANDARD HEIGHT	15.54	2274681-2
LOWER HEIGHT	14.53	2274681-1
LIGHT PIPE	H HOLE HIGHT OF LP	PART NUMBER

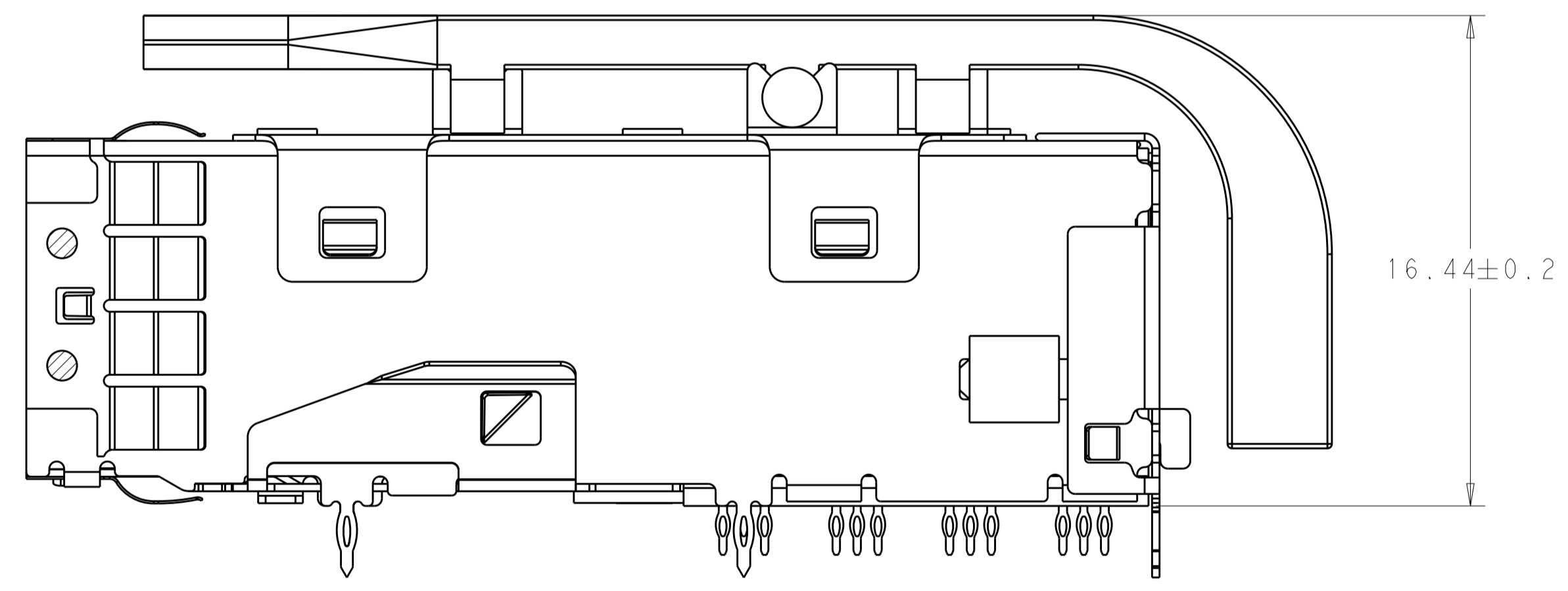
THIS DRAWING IS A CONTROLLED DOCUMENT.		DMN	B. MATTHEWS	18FEB2014
DIMENSIONS:		CHK	D. GORENC	18FEB2014
mm	0 PLC ±	APVD	D. GORENC	18FEB2014
	1 PLC ±0.25	NAME		
	2 PLC ±0.13	RECEPTACLE ASSEMBLY,		
	3 PLC ±	MINI-SAS HD, 4X		
	4 PLC ±	W/ LOW PROFILE LIGHT PIPES		
	ANGLES ±	SIZE		
	FINISH	CAGE CODE DRAWING NO		
MATERIAL		114-13316		
		WEIGHT		
		A100779C=2274681		
CUSTOMER DRAWING		SCALE 6:1 SHEET 1 OF 4 REV C		

2274681-1 AS SHOWN

LOC		DIST		REVISIONS			
P.	LTN	DESCRIPTION	DATE	DMN	APVD		
-		SEE SHEET 1	-	-	-		



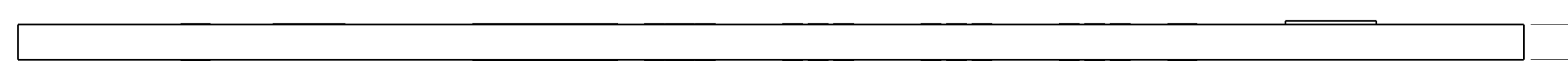
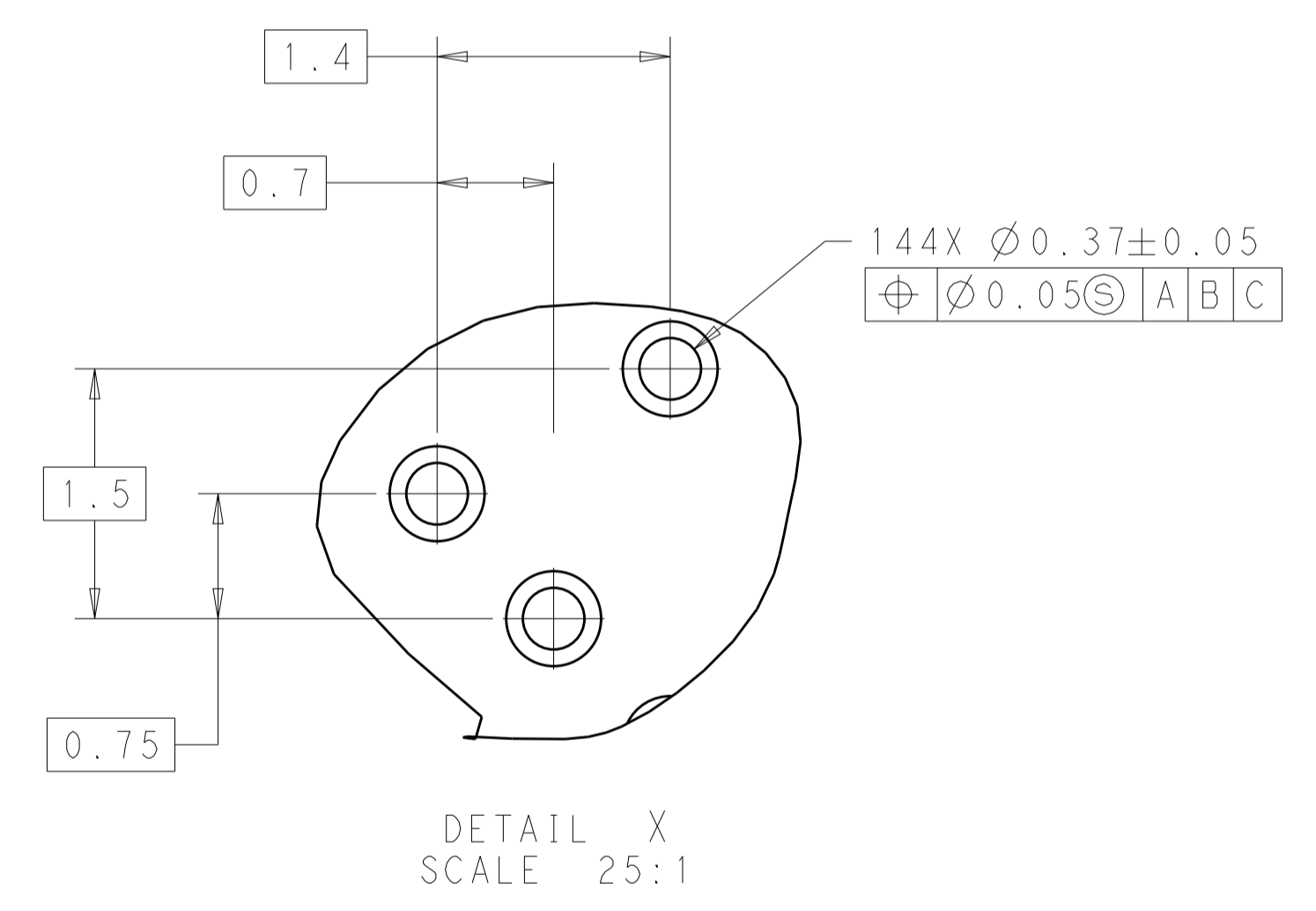
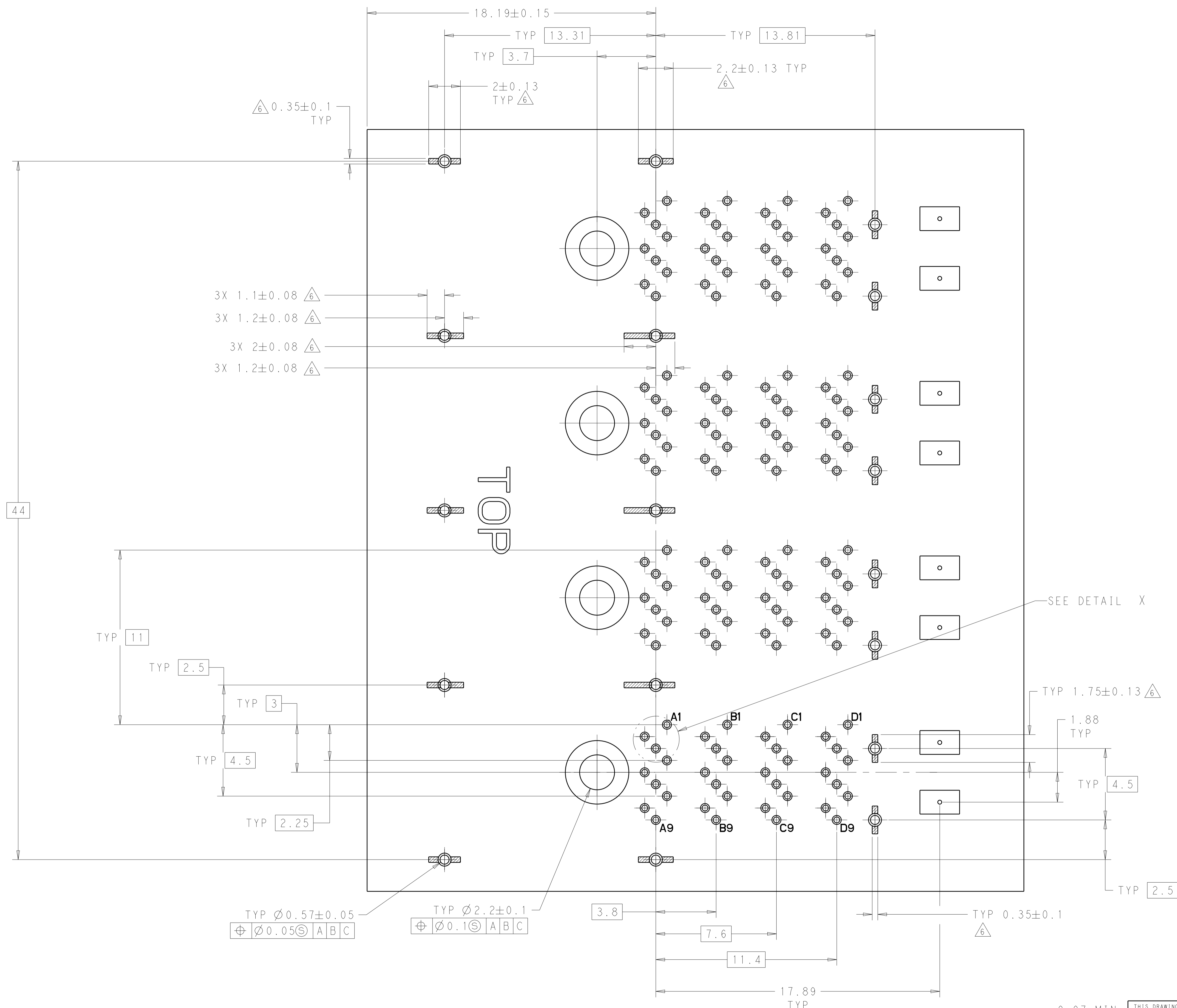
2274681-1 AS SHOWN  
 SCALE 6:1



2274681-2 AS SHOWN  
 UNSPECIFIED DIMENSIO SN ARE SAME AS 2274681-1  
 SCALE 6:1

THIS DRAWING IS A CONTROLLED DOCUMENT.		DMN B. MATTHEWS 18FEB2014	
		CHK D. GORENC 18FEB2014	
DIMENSIONS:		APVD D. GORENC 18FEB2014	NAME RECEPTACLE ASSEMBLY, MINI-SAS HD, 4X W/ LOW PROFILE LIGHT PIPES
TOLERANCES UNLESS OTHERWISE SPECIFIED:		PRODUCT SPEC	
mm	0 PLC ±0.25	108-2462	SIZE CAGE CODE DRAWING NO RESTRICTED TO A100779C=2274681
	2 PLC ±0.13	APPLICATION SPEC	
	3 PLC ±	114-13316	SCALE 6:1 SHEET 2 OF 4 REV C
	4 PLC ±	WEIGHT	
	ANGLES ±	Customer Drawing	
MATERIAL	FINISH		

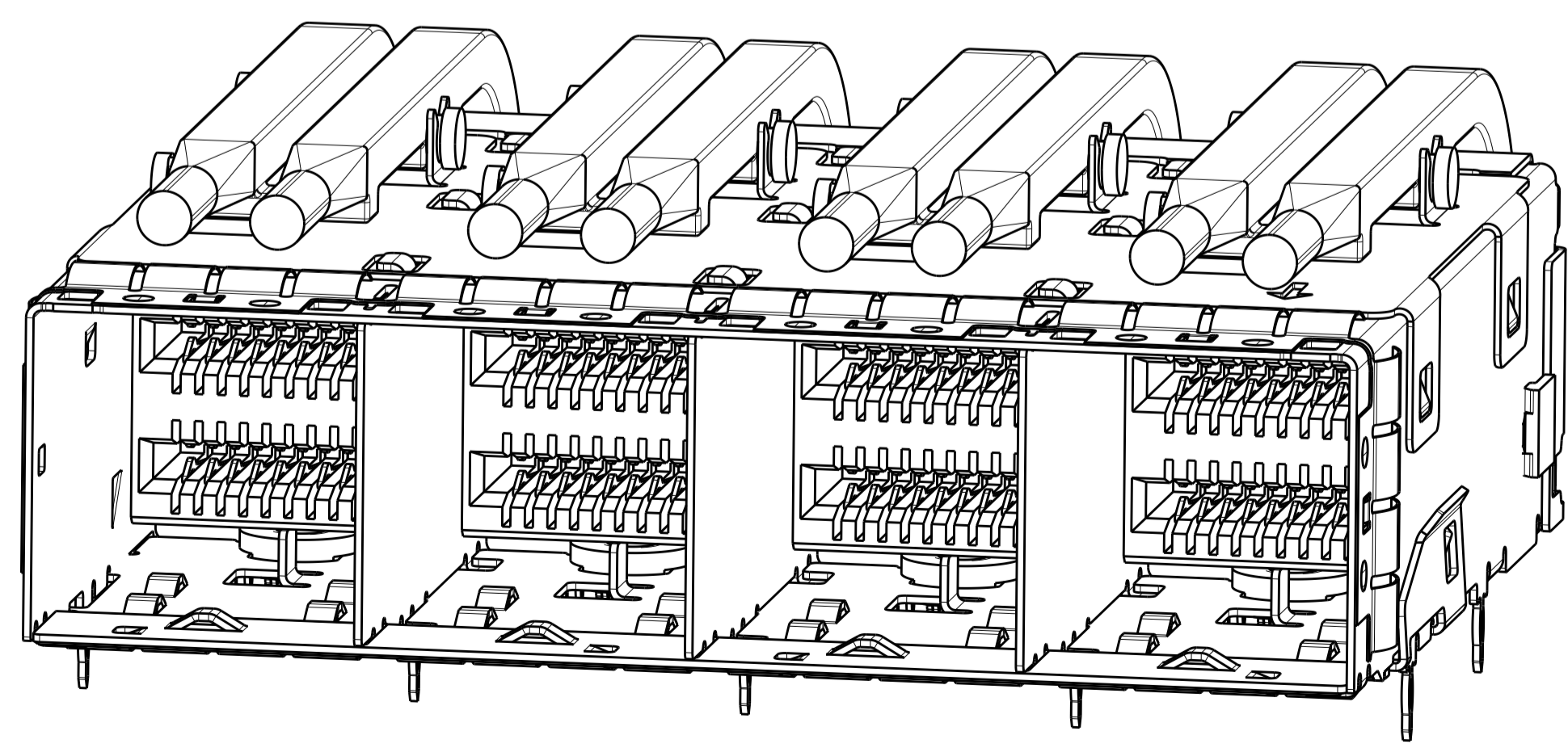
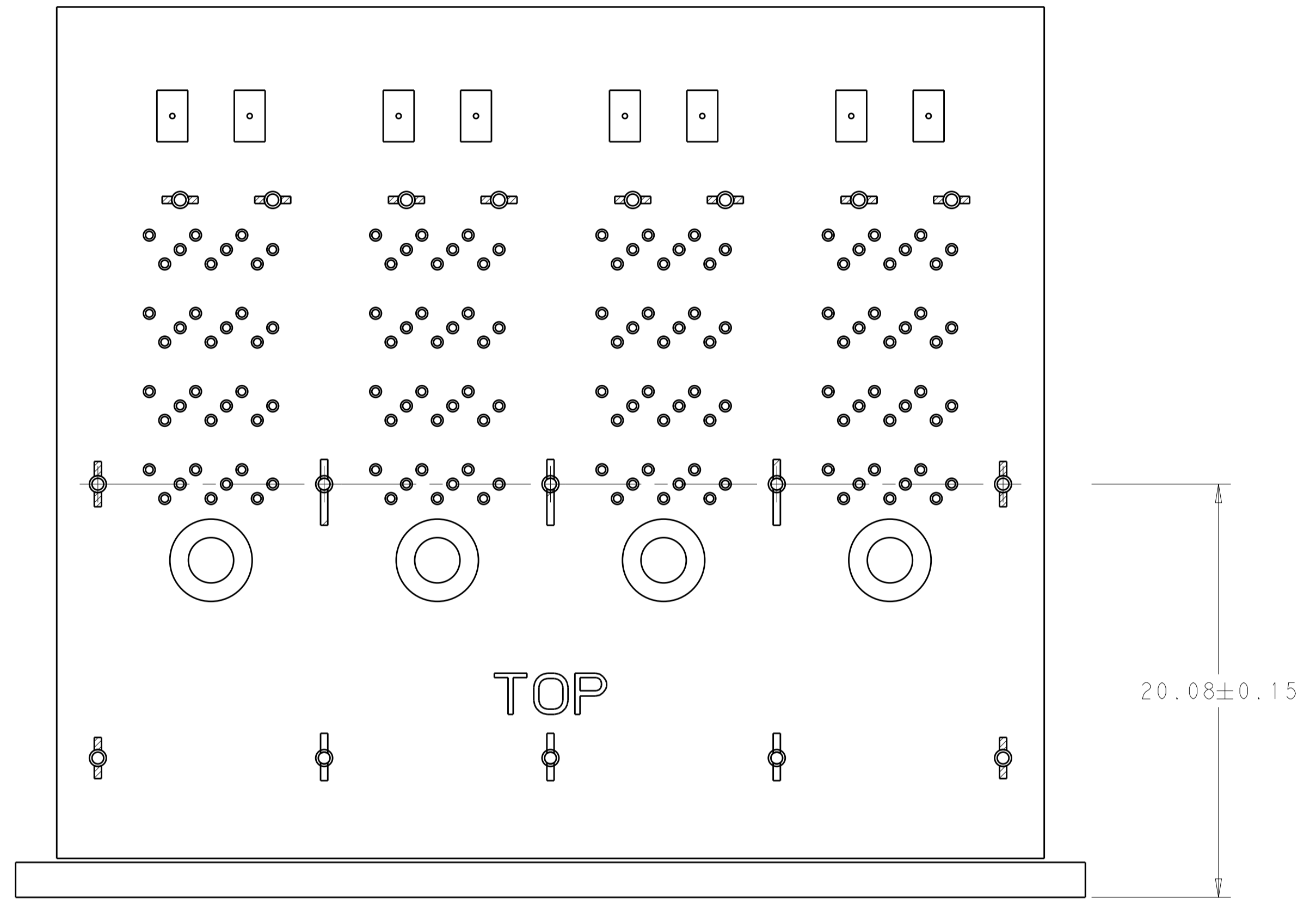
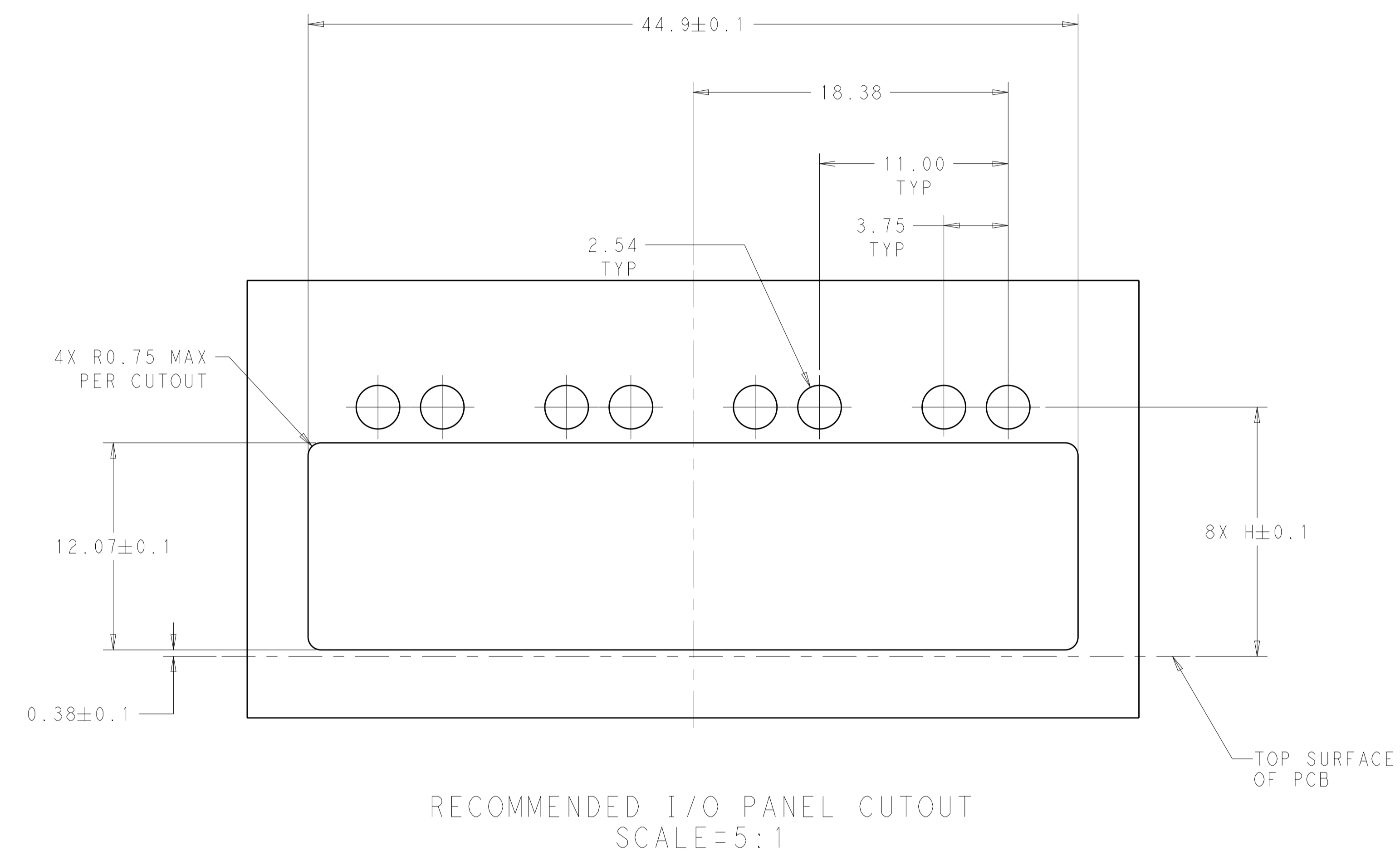
LOC		DIST		REVISIONS			
P.	LTN.	DESCRIPTION	DATE	DWN.	APVD.		
-	-	SEE SHEET 1	-	-	-		



RECOMMENDED PCB LAYOUT

THIS DRAWING IS A CONTROLLED DOCUMENT.		DWN B. MATTHEWS 18FEB2014	TE Connectivity
DIMENSIONS: mm		CHK D. GORENC 18FEB2014	
TOLERANCES UNLESS OTHERWISE SPECIFIED:		APVD D. GORENC 18FEB2014	NAME RECEPTACLE ASSEMBLY, MINI-SAS HD, 4X W/ LOW PROFILE LIGHT PIPES
0 PLC ±	1 PLC ±0.25	PRODUCT SPEC 108-2462	SIZE CAGE CODE DRAWING NO RESTRICTED TO
2 PLC ±0.13	3 PLC ±	APPLICATION SPEC 114-13316	A100779C=2274681
4 PLC ±	ANGLES ±	WEIGHT	SCALE 6:1 SHEET 3 OF 4 REV C
MATERIAL	FINISH	Customer Drawing	

LOC	DIST	REVISIONS			
P.	LTN	DESCRIPTION	DATE	DWN	APVD
-	-	SEE SHEET 1	-	-	-



THIS DRAWING IS A CONTROLLED DOCUMENT.		DWN: B. MATTHEWS 18FEB2014	
DIMENSIONS: mm		CHK: D. GORENC 18FEB2014	
TOLERANCES UNLESS OTHERWISE SPECIFIED:		APVD: D. GORENC 18FEB2014	NAME: RECEPTACLE ASSEMBLY, MINI-SAS HD, 4X W/ LOW PROFILE LIGHT PIPES
0 PLC ±	1 PLC ±0.25	PRODUCT SPEC: 108-2462	SIZE: 114-13316
2 PLC ±0.13	3 PLC ±	APPLICATION SPEC: 114-13316	RESTRICTED TO: A100779C=2274681
4 PLC ±	ANGLES ±	WEIGHT: -	SCALE: 6:1
MATERIAL: -	FINISH: -	Customer Drawing	SHEET 4 OF 4 REV C