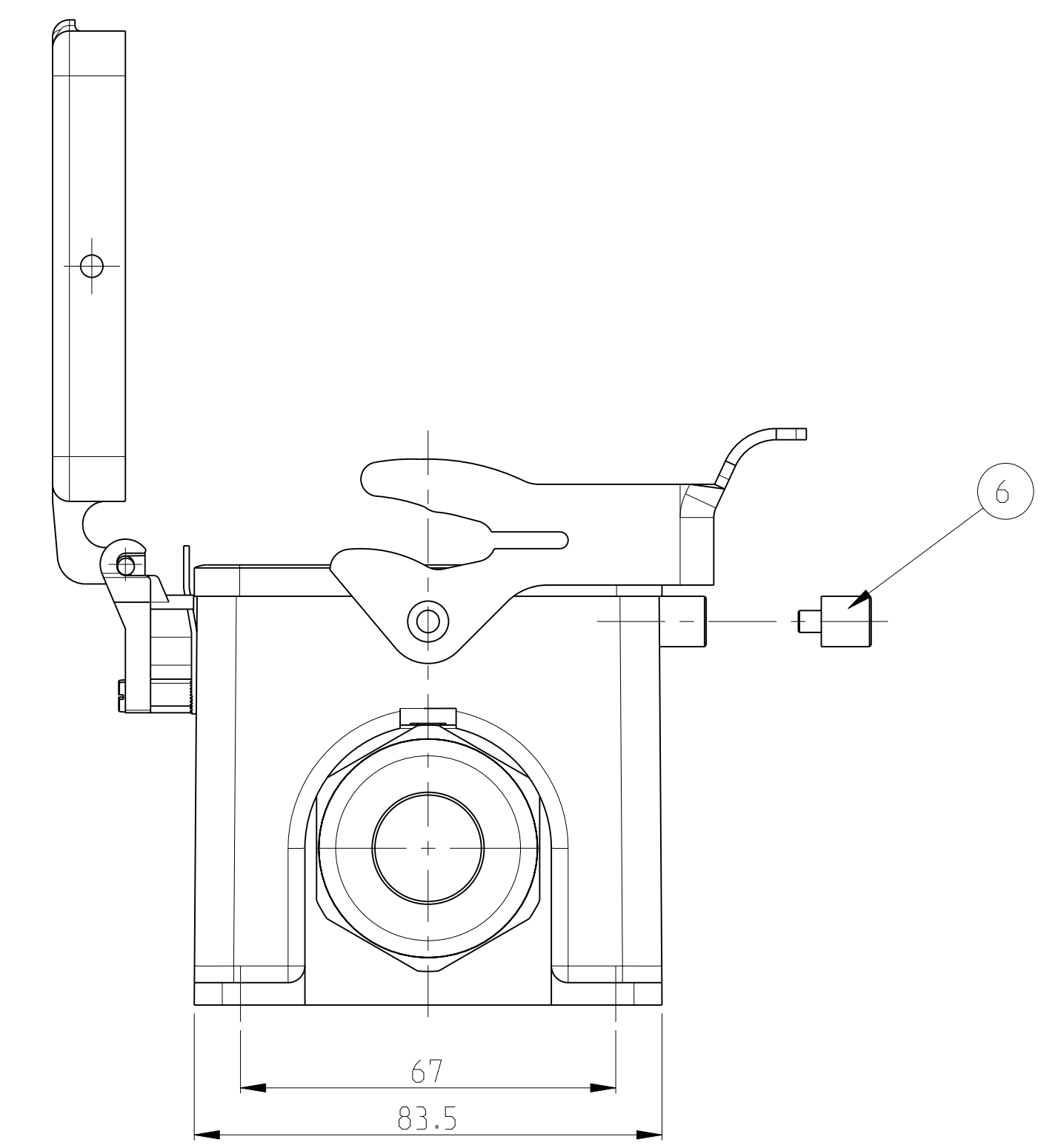
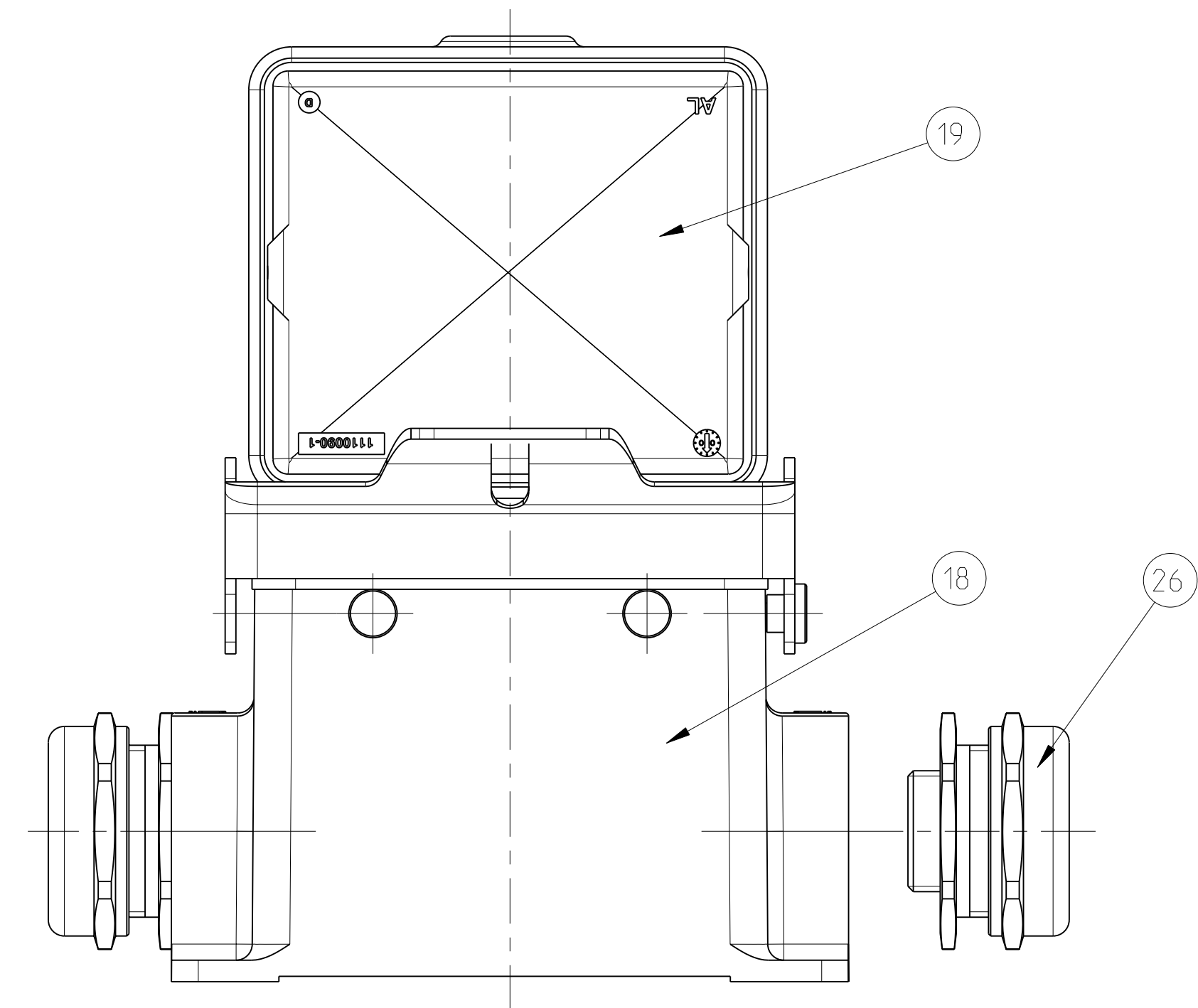
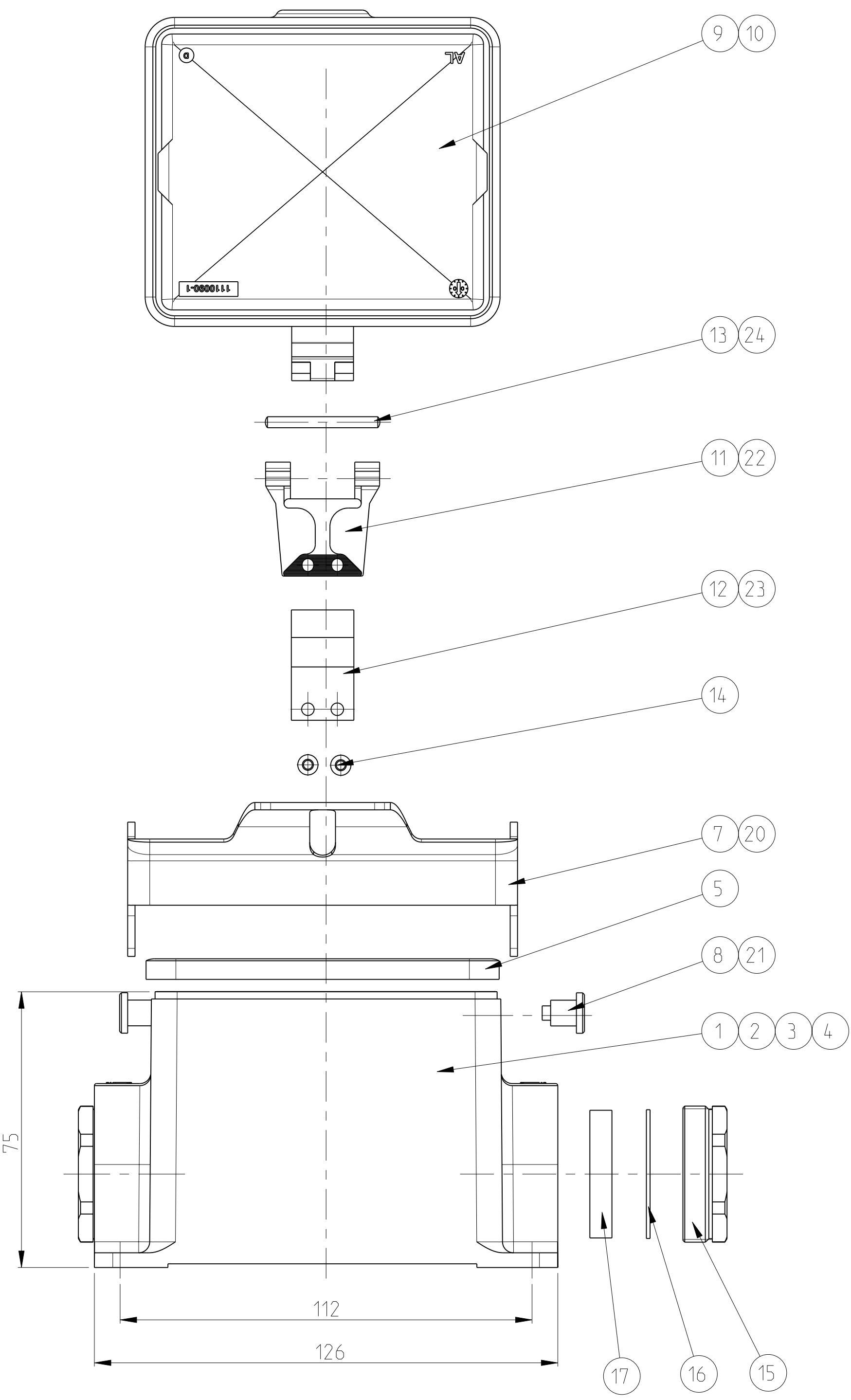


LOC	DIST	REV	DATE	BY	APPV
A1	-	A5	23MAR2009	SR	AR
		A6	02JUL2009	SR	AR



QTY	DESCRIPTION	MATERIAL	SURFACE	COLOR	ITEM	NOTES				
2	GLAND FITTING	BRASS	NICKEL PLATED	BLUE	26	Pg29				
2	CLIP BOLT	STAIN. STEEL	BLANC		25					
1	GROVED PIN	STAIN. STEEL	BLANC		24					
1	LEAF SPRING	STAIN. STEEL	BLANC		23					
1	HINGE	ALUMINIUM	ALUMINIUMOXID	BLACK	22					
2	CLIP FIXING	STAIN. STEEL	BLANC		21					
1	SLIDE CLIP	STAIN. STEEL	BLANC		20					
1	COVER	ALUMINIUM	ALUMINIUMOXID	BLACK	19					
1	SURFACE MOUNTED HOUSING SIDE ENTRY	ALUMINIUM	ALUMINIUMOXID	BLACK	18					
2	SEAL RING	NEOPRENE		BLACK	17	Pg29				
2	PRESS RING	STEEL	ZINC PLATED	BLUE	16	Pg29				
2	PRESS SCREW	BRASS	NICKEL PLATED	BLUE	15	Pg29				
2	ZYLINDER SCREW	STAIN. STEEL	BLANC		14	M3x16				
1	GROVED PIN	STEEL	ZINC PLATED	BLUE	13					
1	LEAF SPRING	STEEL	ZINC PLATED	BLUE	12					
1	HINGE	ALUMINIUM		GREY	11					
1	COVER	ALUMINIUM		GREY	10	neutral				
	COVER	ALUMINIUM		GREY	9					
2	CLIP FIXING	STEEL	ZINC PLATED	BLUE	8					
1	SIDE CLIP	STEEL	ZINC PLATED	BLUE	7					
4	CLIP BOLT	STEEL	ZINC PLATED	BLUE	6					
1	PROFIL SEAL	NEOPRENE		BLACK	5					
1	SURFACE MOUNTED HOUSING SIDE ENTRY	ALUMINIUM		GREY	4	neutral				
	SURFACE MOUNTED HOUSING SIDE ENTRY	ALUMINIUM		GREY	3	neutral				
	SURFACE MOUNTED HOUSING SIDE ENTRY	ALUMINIUM		GREY	2					
	SURFACE MOUNTED HOUSING SIDE ENTRY	ALUMINIUM		GREY	1					
2-2	0-2	0-1	1-2	1-6	DESCRIPTION	MATERIAL	SURFACE	COLOR	ITEM	NOTES
					HB.32.SGD.2.29					
					HB.32.SGD-LB.2.29					
					HB.32.SGD-LB.2.29					
					HB.32.SGD.2.29					
					HB-K.32.SGD-LB.2.29					

- NOTES
- PART SHALL BE FREE AND CLEAN OF BURRS AND OTHER FOREIGN MATERIAL
  - PACKAGING: QUANTITY 3 PIECES
  - VARNISHING INSIDE HOUSING NOT REQUIRED

DIMENSIONS: mm 		TOLERANCES UNLESS OTHERWISE SPECIFIED: 0 PLC ± 1 PLC ± 2 PLC ± 3 PLC ± 4 PLC ± ANGLES ±° FINISH -		DWN R.SCHNEIDER 23MAR2009 CHY T.SCHNURPEITL APVD - PRODUCT SPEC - APPLICATION SPEC - WEIGHT - CUSTOMER DRAWING		Tyco Electronics Tyco Electronics AMP GmbH 53757 Sankt Augustin (Germany)	
MATERIAL - FINISH -		NAME Surface mounted housing bottom entry Assy HB.32.SGD.2.29		SIZE CAGE CODE DRAWING NO A1 00779 C=1102363		RESTRICTED TO SCALE 1:1 SHEET 1 OF 1 REV A6	