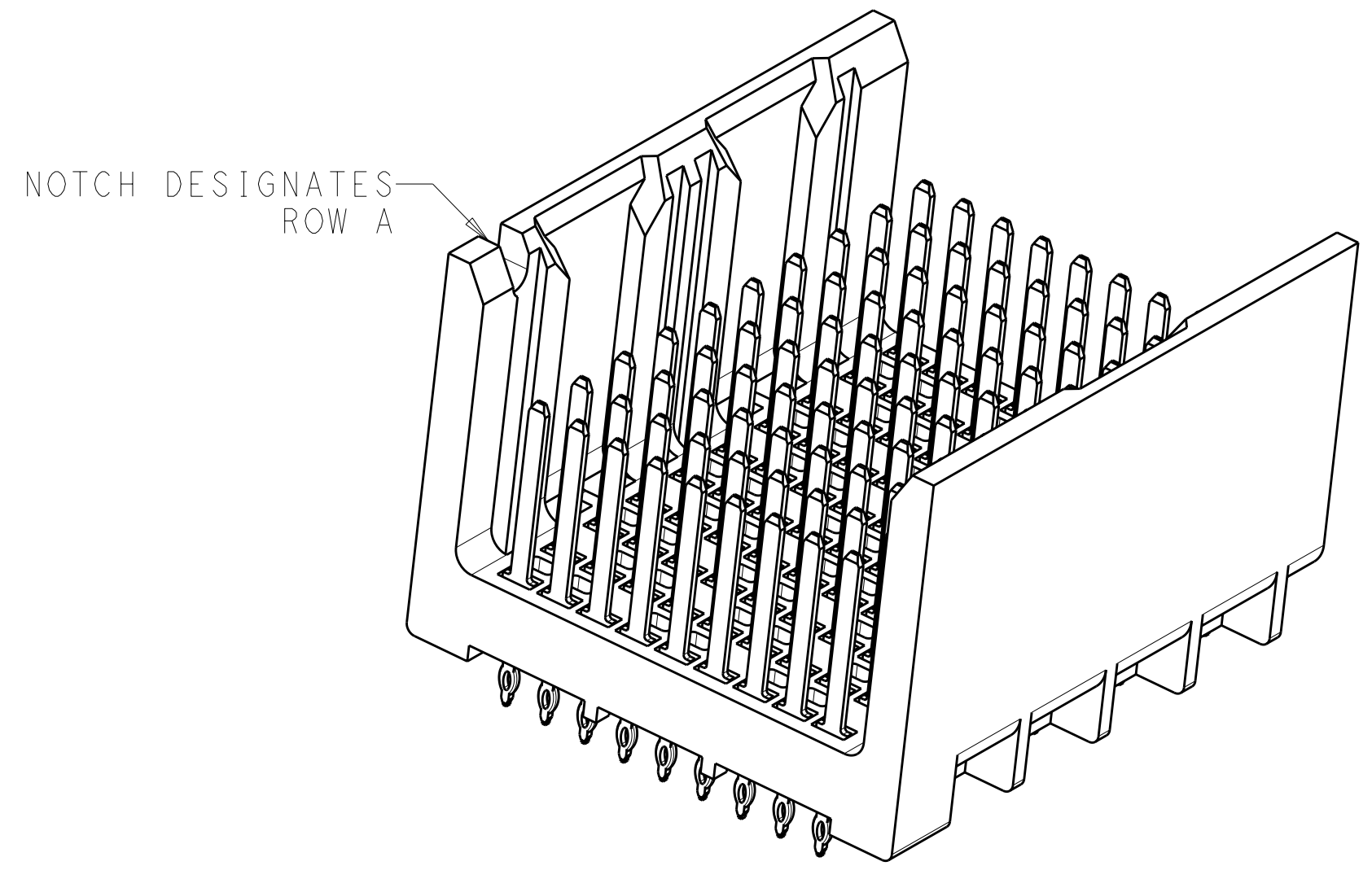
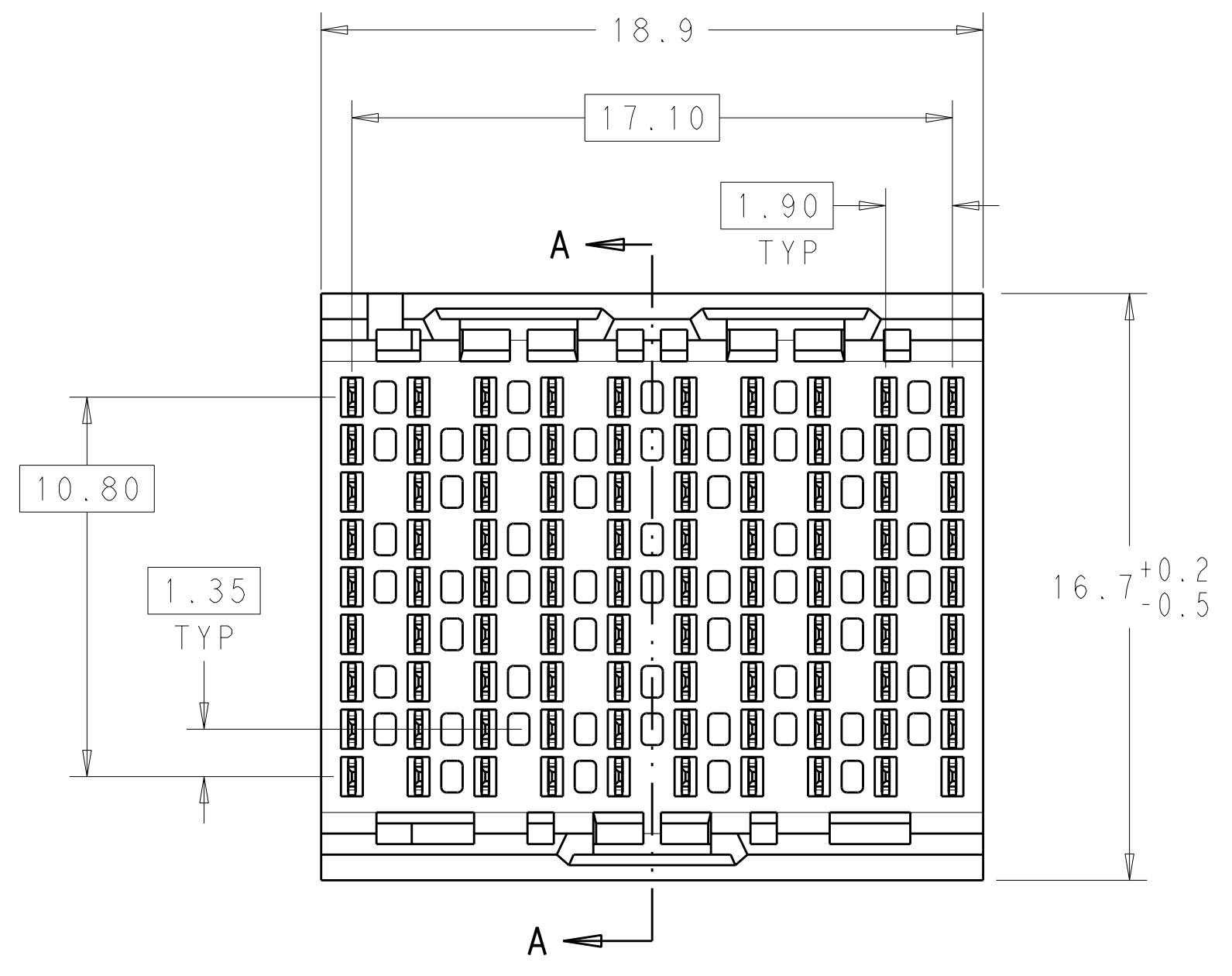
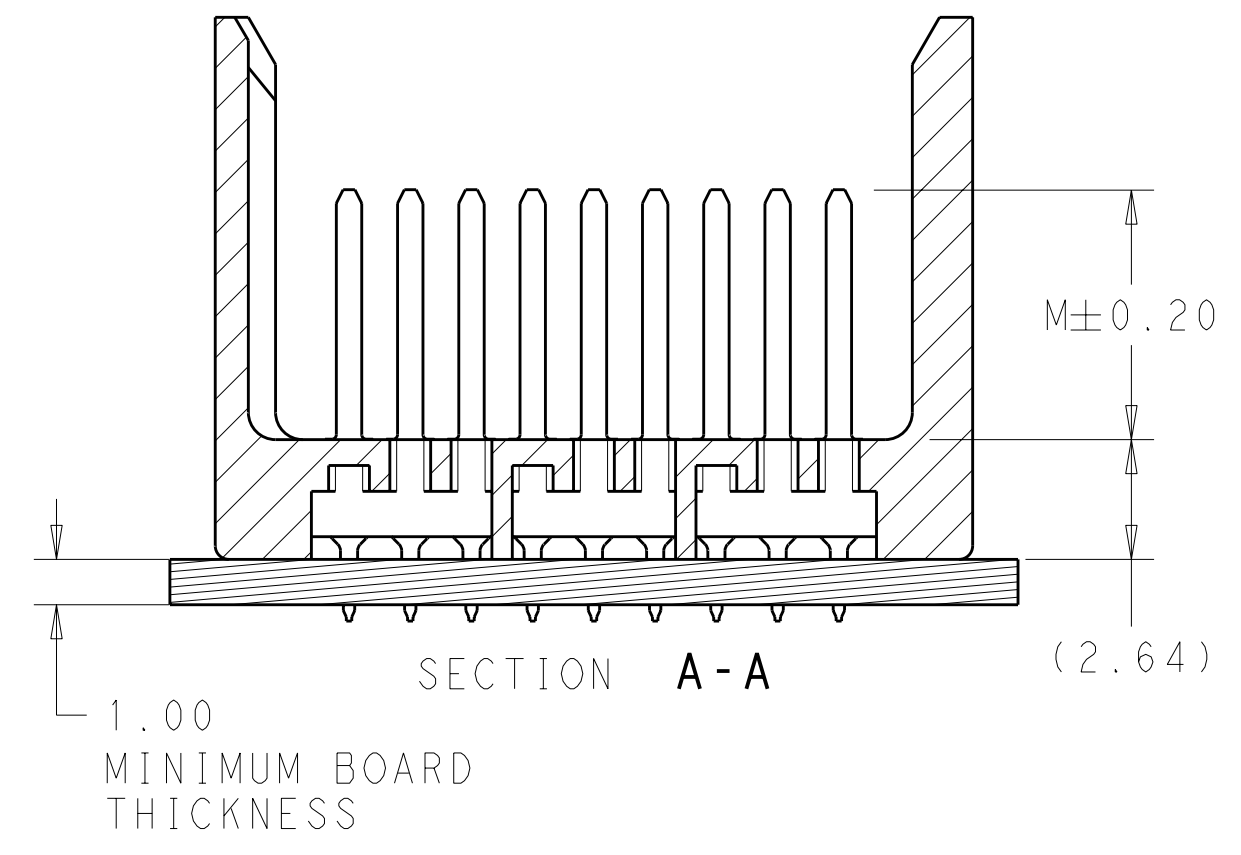
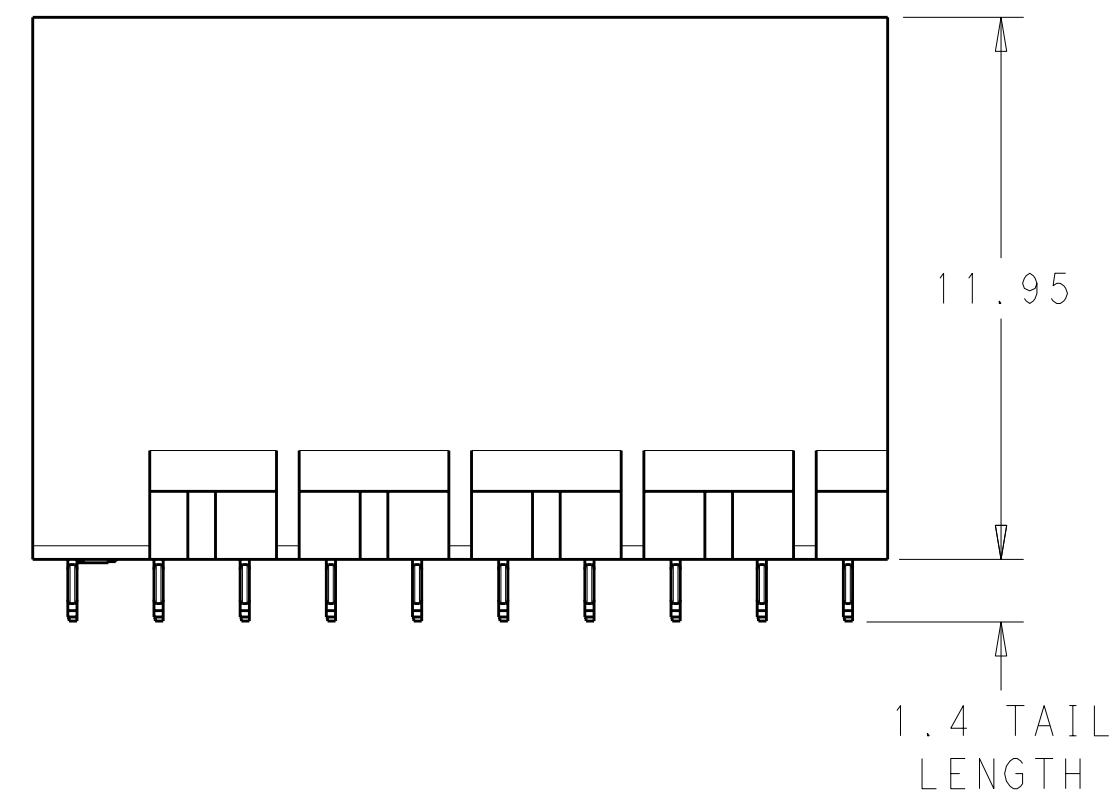
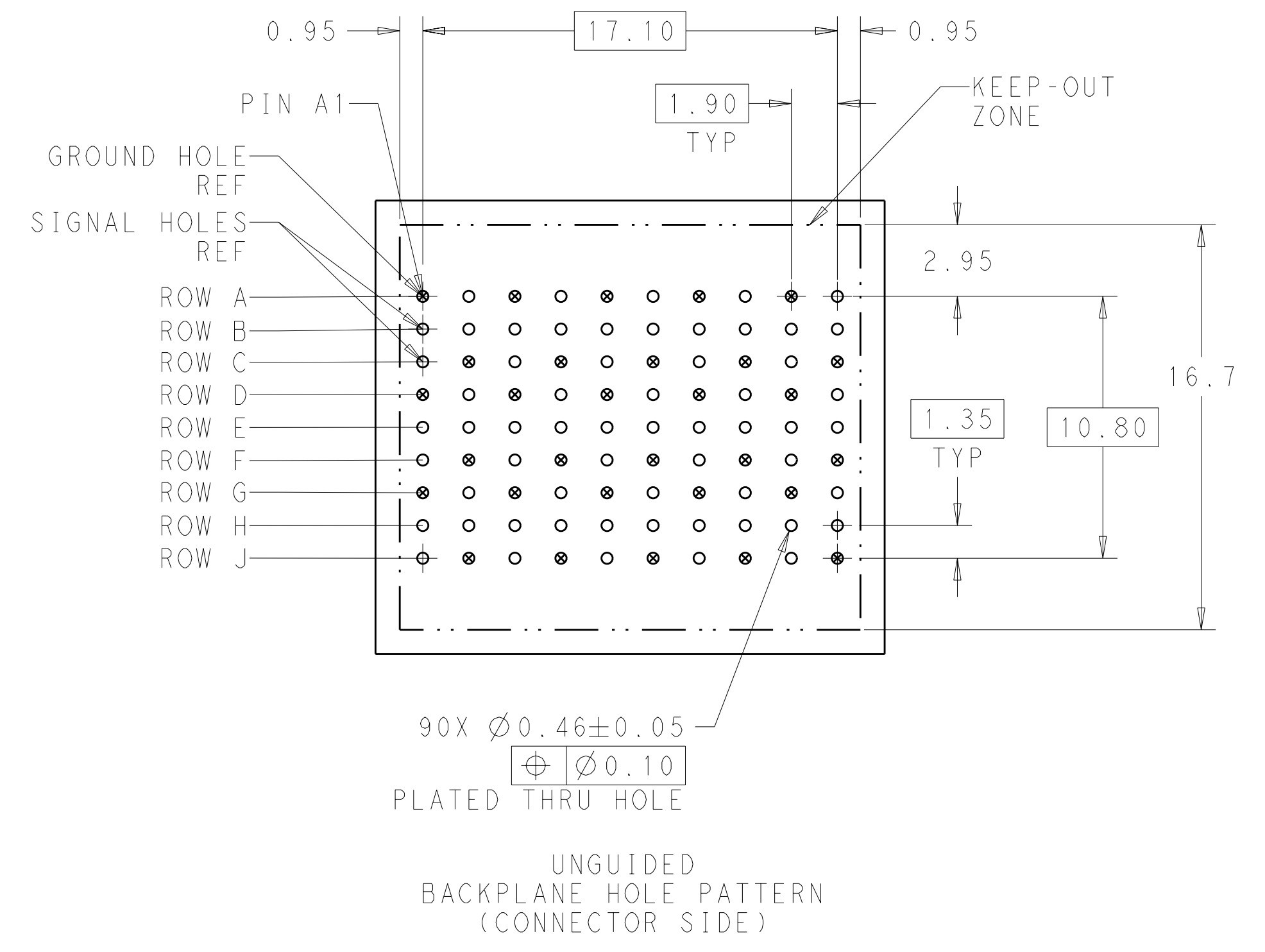


LOC	DIST	REV	DATE	BY	APPD
AD	00	C	22DEC11	KH	DY



- 1 MATERIAL:
HOUSING: LCP, GLASS FILLED, UL94V-0.
TERMINALS: HIGH PERFORMANCE COPPER ALLOY.
- 2 FINISH:
30μ" MIN GOLD IN CONTACT AREA. SELECTIVE TIN
ON PCB TAILS, NICKEL OVERALL.
- 3 FINISH:
30μ" MIN GOLD IN CONTACT AREA. SELECTIVE TIN-LEAD
ON PCB TAILS, NICKEL OVERALL.




THIS DRAWING IS A CONTROLLED DOCUMENT.		DWN J. K. SHOBER	22DEC11	TE Connectivity
DIMENSIONS:		CHK J. EARY	22DEC11	
mm	TOLERANCES UNLESS OTHERWISE SPECIFIED:	APVD J. EARY	22DEC11	NAME IMPACT, 3 PAIR, 10 COLUMN, HEADER UNGUIDED, OPEN END WALL SIGNAL MODULE, 0.46 PTH
 	0 PLC ± 1 PLC ±0.25 2 PLC ±0.13 3 PLC ± 4 PLC ± ANGLES ±	PRODUCT SPEC	APPLICATION SPEC	SIZE CAGE CODE DRAWING NO A100779C=2007784
MATERIAL	FINISH SEE TABLE	WEIGHT	CUSTOMER DRAWING	RESTRICTED TO
SCALE 6:1			SHEET 1 OF 2	REV C

THIS DRAWING IS UNPUBLISHED. RELEASED FOR PUBLICATION 20
 © COPYRIGHT 20 . . . ALL RIGHTS RESERVED.

LOC	DIST	REVISIONS				
AD	00	P	LTB	DATE	DWN	APVD
		-	-	SEE SHEET 1	-	-

FINISH	DIM M	PART NUMBER
\triangle_3	5.5	2007784-6
\triangle_3	4.9	2007784-5
\triangle_3	4.5	2007784-4
\triangle_2	5.5	2007784-3
\triangle_2	4.9	2007784-2
\triangle_2	4.5	2007784-1

REFER TO WWW.TE.COM
 FOR PRODUCT AVAILABILITY

THIS DRAWING IS A CONTROLLED DOCUMENT.		DWN J. K. SHOBER	22DECT1	 TE Connectivity
DIMENSIONS: mm		CHK J. EABY	22DECT1	
TOLERANCES UNLESS OTHERWISE SPECIFIED: 9 PLC ± 7 PLC ±0.25 5 PLC ±0.13 4 PLC ± ANGLES ±		APVD J. EABY	22DECT1	NAME IMPACT, 3 PAIR, 10 COLUMN, HEADER UNGUIDED, OPEN END WALL SIGNAL MODULE, 0.46 PTH
MATERIAL -		FINISH SEE TABLE	APPLICATION SPEC -	SIZE CAGE CODE DRAWING NO A100779C=2007784
		WEIGHT -	CUSTOMER DRAWING	RESTRICTED TO -
		SCALE 5:1	SHEET 2	OF 2
		REV C		