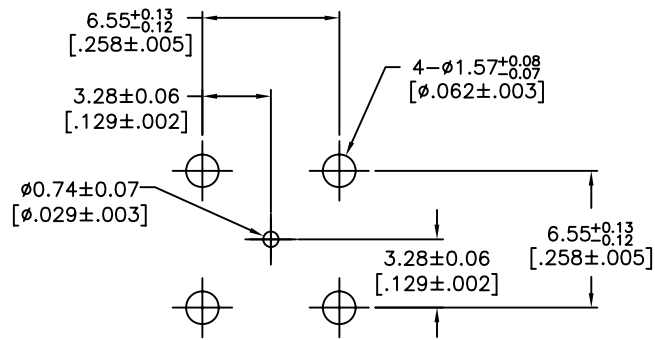
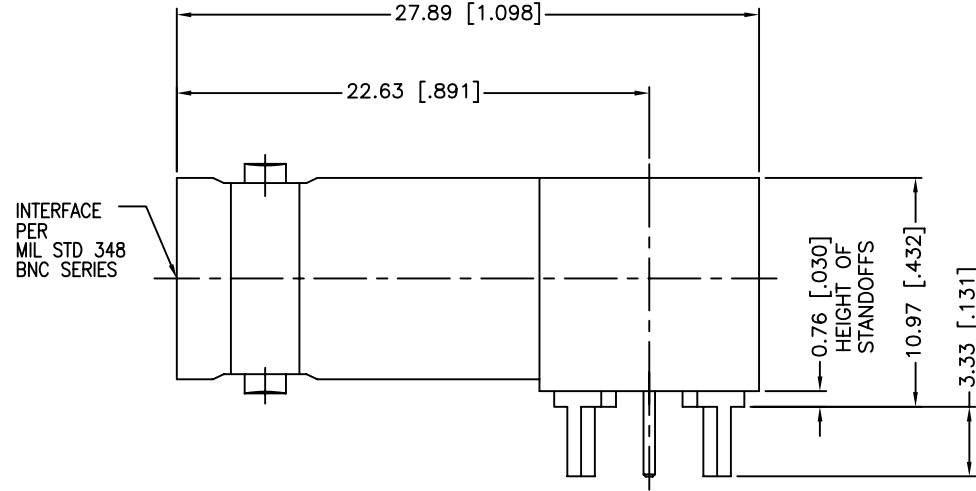
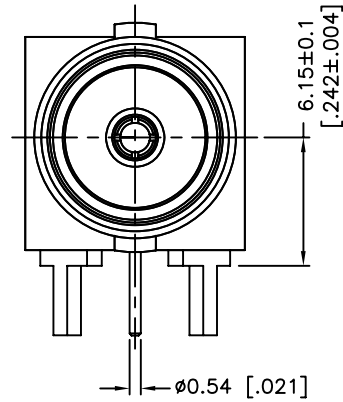
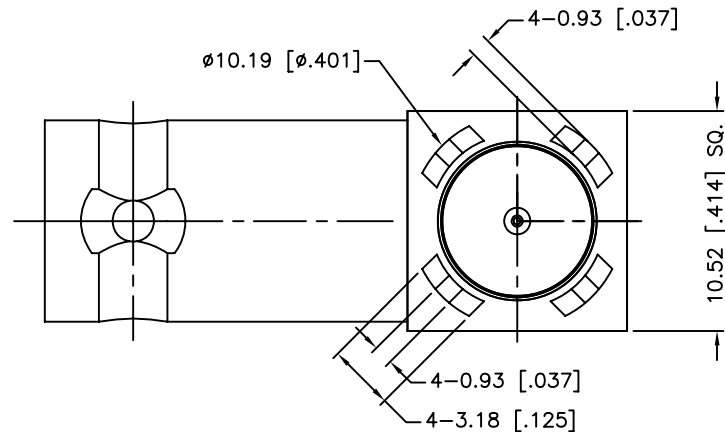


| REV. | DATE | ECR NO. | DESCRIPTION |
|------|----------|---------|---|
| NC | 03/06/10 | XXXXXX | INITIAL RELEASE |
| A | 06/18/10 | 2060 | CHANG LEG THICKNESS TO FIT INTO BOARD .062" |



RECOMMENDED
PCB CONFIGURATION



1. FREQUENCY RANGE: DC-4 GHz
2. VSWR(RETURN LOSS): -28 dB

| QTY | DESCRIPTION | MATERIAL | FINISH |
|-----|-------------|-------------|---------|
| 1 | LOCK RING | BRASS | NICKEL |
| 4 | INSULATOR | PTFE | NATURAL |
| 3 | CONTACT PIN | BER. COPPER | GOLD |
| 2 | INSULATOR | PTFE | NATURAL |
| 1 | BODY | BRASS | NICKEL |

UNLESS OTHERWISE SPECIFIED DIMENSIONS ARE IN MILLIMETERS. DIMENSIONS IN [] ARE IN INCHES AND FOR CUSTOMER REFERENCE ONLY.

UNLESS OTHERWISE SPECIFIED TOLERANCES FOR MILLIMETERS ARE:
0.5 - 8mm ± 0.20mm
8 - 30mm ± 0.40mm
30 - 120mm ± 0.50mm

UNLESS OTHERWISE SPECIFIED TOLERANCES FOR INCHES ARE:
.020 - .315 = ± 0.007"
.315 - 1.180 = ± 0.015"
1.180 - 4.724 = ± 0.020"

DO NOT SCALE DRAWING

| APPROVALS | DATE |
|---------------|----------------------|
| DRAWN M.ZHANG | 06/18/10 |
| CHECKED | |
| ISSUED | |
| SHEET 1 OF 1 | |
| CAD FILE | C:/CONNEX/112778.DWG |

| Amphenol Connex | | | |
|---|------------|--------|----|
| PART DESCRIPTION BNC R/A JACK RECEPTACLE PCB MOUNT (75 OHM) | | | |
| PART NO. | | 112778 | |
| DWG. NO. | 112778.DWG | REV. | A |
| SIZE | A | SCALE | NA |