

DRAWING NO.
C - 141-0701-401/410

0 REVISIONS

1	5-10-90	EJ	RJB	AW	5-18-90 ECO 24586
---	---------	----	-----	----	----------------------

ADDED: DIA .036+-.003
CHANGED: .045-.125 WAS .045-.103.
UPDATED GRAPHICS.

2	7-7-90	EJ	RJB	AW	7-16-90 ECO 24756
---	--------	----	-----	----	----------------------

CHANGED: UPDATED GRAPHICS.

3	9-4-90	EJ	CS	RJB	AW	9-6-90 ECO 24861
---	--------	----	----	-----	----	---------------------

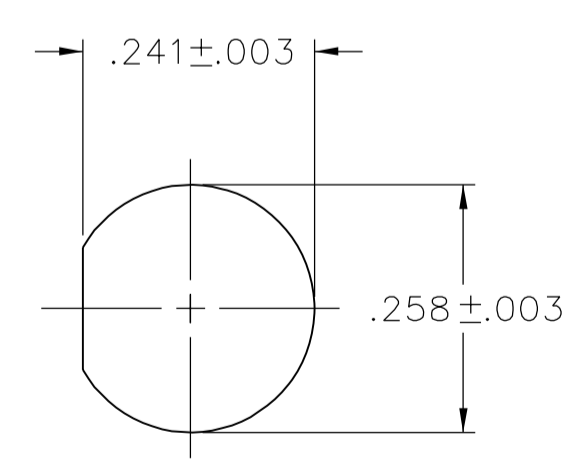
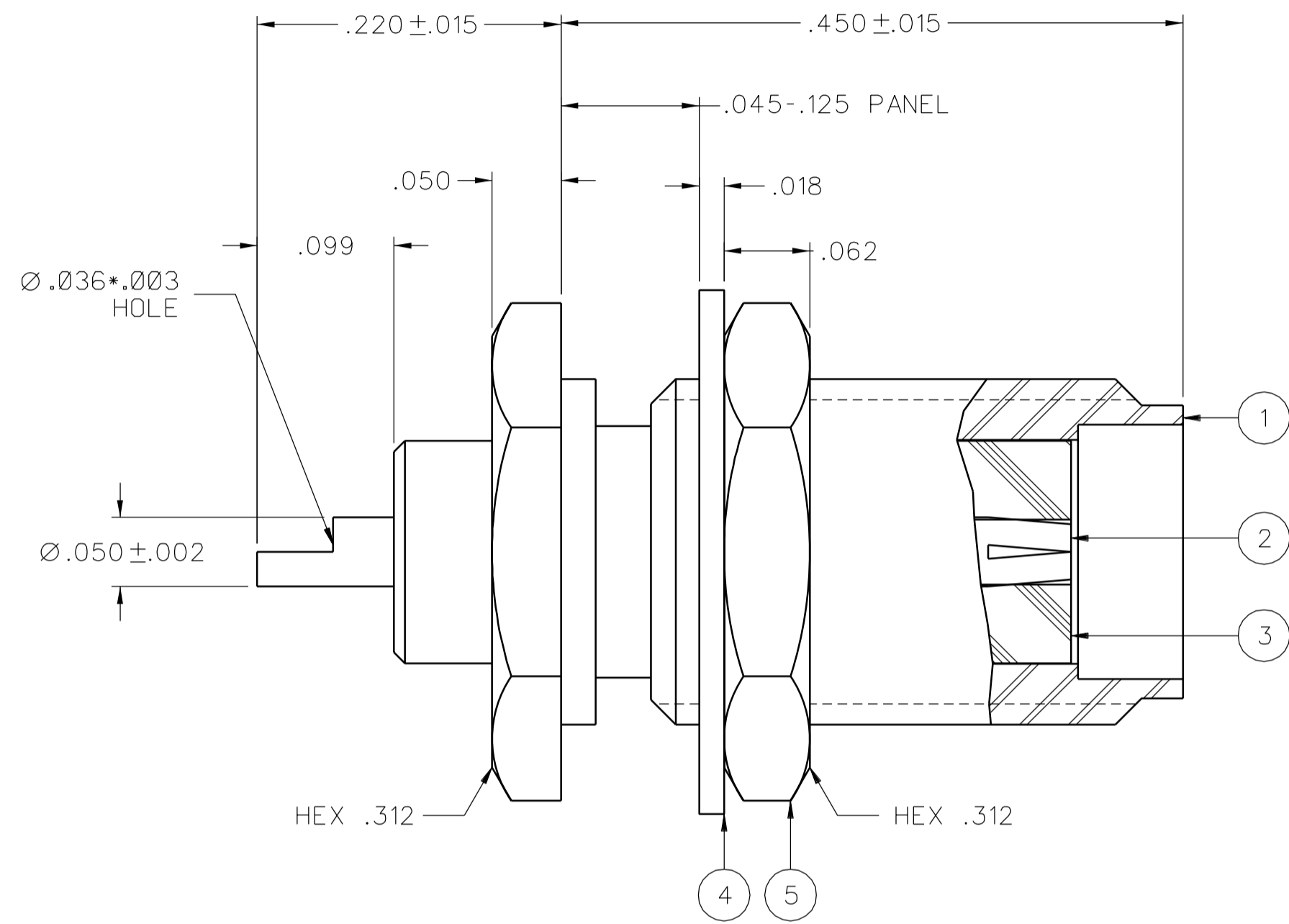
CHANGED: UPDATED GRAPHICS, RF HIGH POT @ 4 AND 7 WAS 5 MHZ, DIA .050+-.002 WAS +-.001
DELETED: COPPER PL .00005 MIN 3 PLACES

4	12-6-91	RH	AK	RJB		ECO 40711
---	---------	----	----	-----	--	-----------

VERSION UPDATE

5	12-19-05	PA	SD	JRK	PD	W	4-3-06 ECN 50101
---	----------	----	----	-----	----	---	---------------------

PART NUMBER	ITEM ① BODY	ITEM ② CONTACT	ITEM ③ INSULATOR	ITEM ④ WASHER	ITEM ⑤ NUT
141-0701-401	STAINLESS STEEL GOLD PL .00001 MIN OVER NICKEL PL .00005 MIN	BERYLLIUM COPPER GOLD PL .00005 MIN OVER NICKEL PL .00005 MIN OVER COPPER PL .00005 MIN	TEFLON	STAINLESS STEEL GOLD PL .00001 MIN OVER NICKEL PL .00005 MIN	STAINLESS STEEL GOLD PL .00001 MIN OVER NICKEL PL .00005 MIN
141-0701-402	STAINLESS STEEL PASSIVATED	BERYLLIUM COPPER GOLD PL .00005 MIN OVER NICKEL PL .00005 MIN OVER COPPER PL .00005 MIN	TEFLON	STAINLESS STEEL PASSIVATED	STAINLESS STEEL PASSIVATED



MOUNTING HOLE
5:1

NOTES:

- SPECIFICATIONS:
 - IMPEDANCE: 50 OHMS
 - FREQUENCY RANGE: 0-18 GHz
 - VSWR: NOT APPLICABLE
 - WORKING VOLTAGE: 335 VRMS MAX AT SEA LEVEL
 - DIELECTRIC WITHSTANDING VOLTAGE: 1000 VRMS MIN AT SEA LEVEL
 - INSULATION RESISTANCE: 5000 MEGOHM MIN
 - CONTACT RESISTANCE:
 - CENTER CONTACT - INITIAL 3.0 MILLIOHM MAX, AFTER ENVIRONMENTAL 4.0 MILLIOHM MAX
 - OUTER CONDUCTOR - INITIAL 2.0 MILLIOHM MAX AFTER ENVIRONMENTAL NOT APPLICABLE
 - BODY TO CABLE - NOT APPLICABLE
 - CORONA LEVEL: 250 VOLTS MIN AT 70,000 FEET
 - INSERTION LOSS: NOT APPLICABLE
 - RF LEAKAGE: NOT APPLICABLE
 - RF HIGH POTENTIAL WITHSTANDING VOLTAGE: 670 VRMS MIN AT 4 AND 7 MHZ

MECHANICAL:

- ENGAGE/DISENGAGE TORQUE: 2 IN-LBS MAX
- MATING TORQUE: 7-10 IN-LBS
- COUPLING PROOF TORQUE: NOT APPLICABLE
- COUPLING NUT RETENTION: NOT APPLICABLE
- CONTACT RETENTION: 6 LBS MIN AXIAL FORCE
4 IN-OZ MIN RADIAL TORQUE
- CABLE ACCEPTABILITY: NOT APPLICABLE
- CABLE HEX CRIMP SIZE: NOT APPLICABLE
- CABLE RETENTION: NOT APPLICABLE
- DURABILITY: 500 CYCLES MIN

ENVIRONMENTAL:

- (MEETS OR EXCEEDS THE APPLICABLE PARAGRAPH OF MIL-PRF-39012)
- THERMAL SHOCK: MIL-STD-202, METHOD 107, CONDITION B, EXCEPT 200 C HIGH TEMP
- OPERATING TEMPERATURE: -65 DEG C TO 165 DEG C
- CORROSION: MIL-STD-202, METHOD 101, CONDITION B
- SHOCK: MIL-STD-202, METHOD 213, CONDITION I
- VIBRATION: MIL-STD-202, METHOD 204, CONDITION D
- MOISTURE RESISTANCE: MIL-STD-202, METHOD 106

CUSTOMER DRAWING

THIS DRAWING TO BE INTERPRETED PER ASME Y 14.5M - 1994

"μSTATION"

COMPANY CONFIDENTIAL

TOLERANCE UNLESS OTHERWISE SPECIFIED		DRAWN BY EJ	DATE 1-30-90
DECIMALS	mm	CHECKED BY RJB	DATE 5-10-90
.XX	_____	APPROVED BY	DATE
.XXX ±.003	_____	RELEASE DATE	5-18-90
MATL	_____	U/M	INCH
FINISH	_____	SCALE	10:1

Cinch Connectivity Solutions
P.O. Box 1732
Waseca, MN 56093
1-800-247-8256

TITLE
JACK ASSEMBLY,
REAR MOUNT BULKHEAD
SMA

SHEET 2 OF 2
DRAWING NO.
C - 141-0701-401/410