

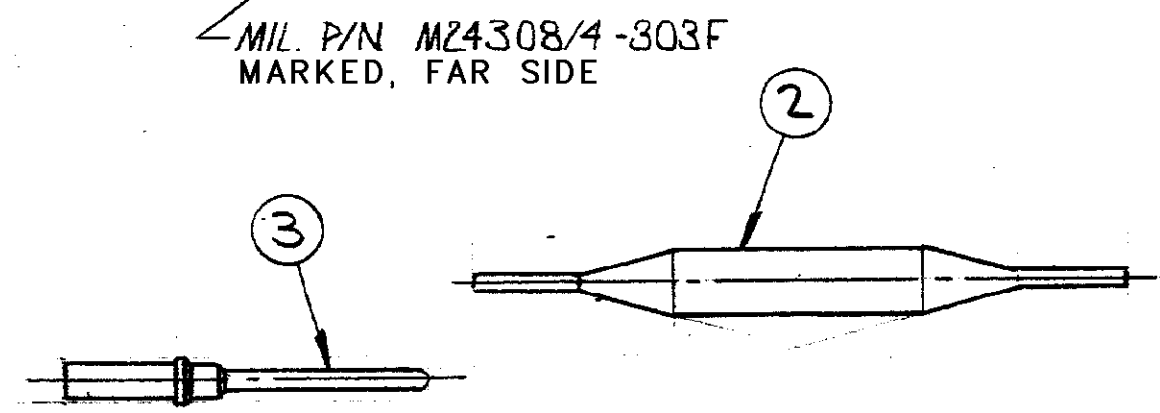
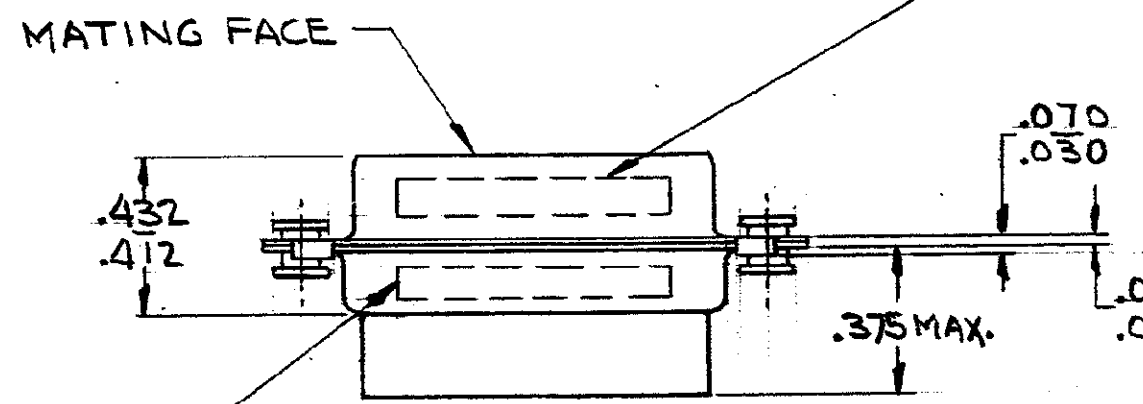
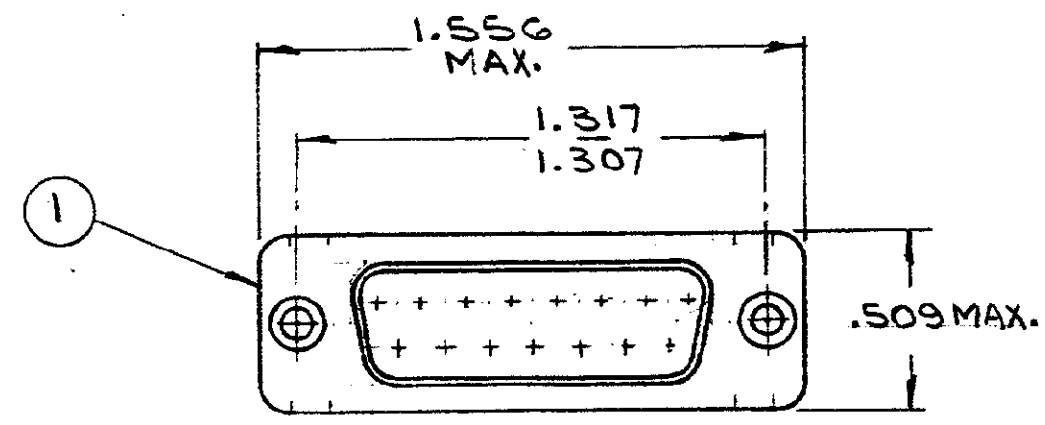
DRAWING MADE IN AMERICAN PROJECTION

© 1971 BY AMP INCORPORATED. ALL RIGHTS RESERVED. AMP PRODUCTS COVERED BY PATENTS AND/OR PATENTS PENDING.

Unpublished copy not to be reproduced nor published without written permission of AMP Incorporated

⚠ APPROPRIATE MIL. P/N (KIT) IS MARKED ON PACKAGE

REVISIONS				
ZONE	LTR	DESCRIPTION	DATE	APPROVED
A		REV. PER ECN B-774	2/15/73	Jm
B		REV PER ECN C-878	3/16/74	Jm
C		REV. PER ECN D-019	5/15/74	Jm
D		REV. PER ECN D-105	7/1/74	Jm
E		REV PER ECN DF-00219 01609 R22676	1-12-88	MZ
F		ECO-08-023688	11-08	PY



MFG'S NAME, BRAND OR LOGO AND DATE CODE, NEAR SIDE

MIL. P/N M24308/4-303F MARKED, FAR SIDE

SUPSD BY 205409-2 91067-2
 SUPSD BY 205408-1 91067-2
 205409
 205409
 205409

<input checked="" type="checkbox"/>			MILITARY P/N M24308/4-314F MARKED ON PACKAGE	
<input checked="" type="checkbox"/>			MILITARY P/N M24308/4-303F MARKED ON PACKAGE	
1818	B	205089-1	CONTACT, PIN - SIZE 20	3
1	1	B	91067-2	INSERTION/EXTRACTION TOOL
1	1	B	205408-1	PLUG ASSY - SIZE #2
2-2	1	DRWG SIZE	NUMBER	NAME
				ITEM NO.

UNLESS OTHERWISE SPECIFIED DIMENSIONS ARE IN INCHES
 TOLERANCES ON:
 DECIMALS ± #
 ANGLES ± #

CONTRACT NO.
 DR. 5/10/71
 BY 5/12/71
 APPD 5-13-71
 REL R.M. 5/13/71
 DSGN APPD
 OTHER APPD

AMP INCORPORATED
 HARRISBURG, PENNSYLVANIA

NAME: KIT, "HDM" SERIES, PLUG, SIZE #2

SIZE: B CODE IDENT NO.: 00779 NUMBER: 205409 REV: F

SCALE: SHEET: 1 OF 1