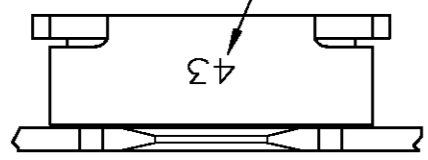


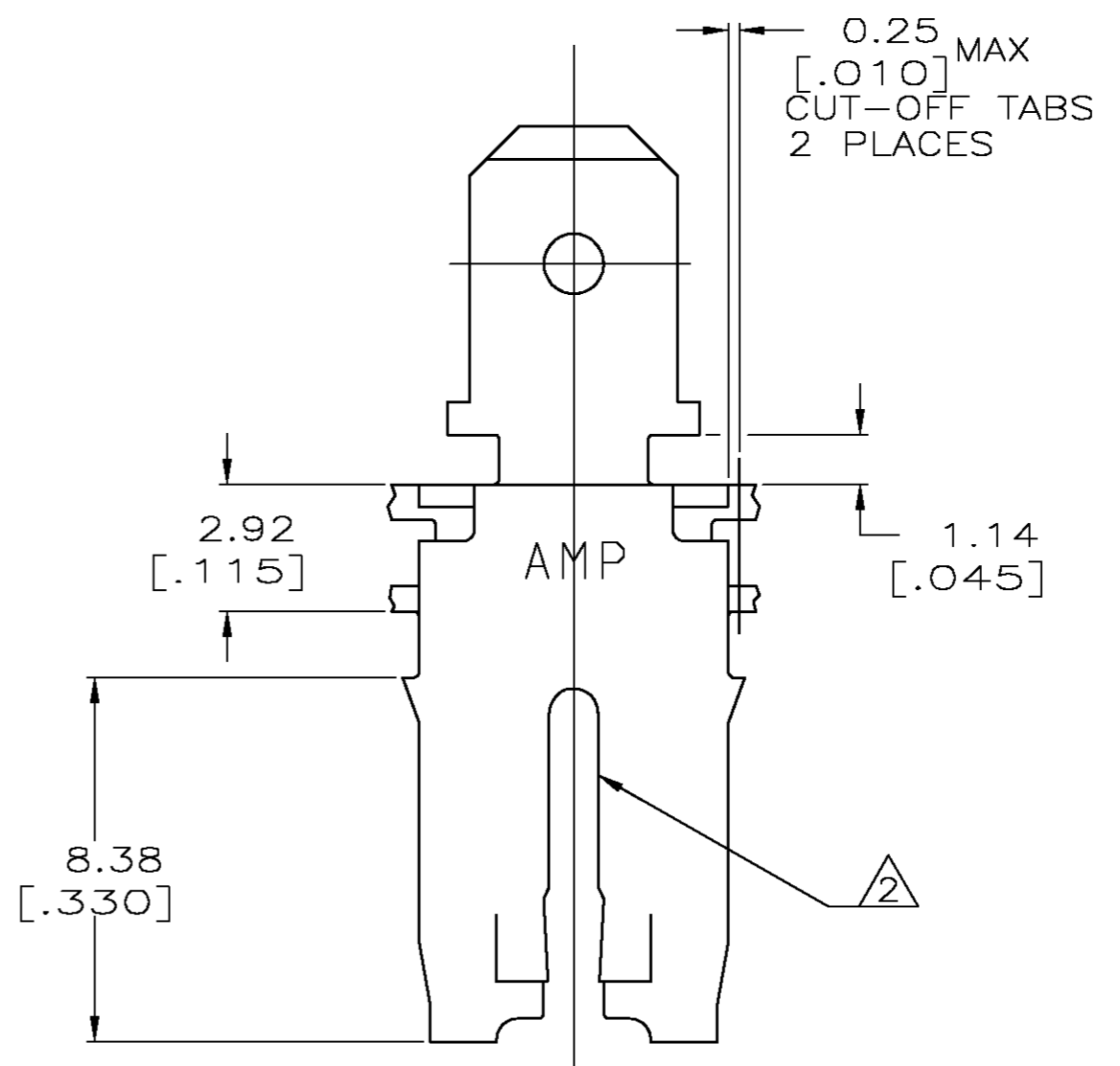
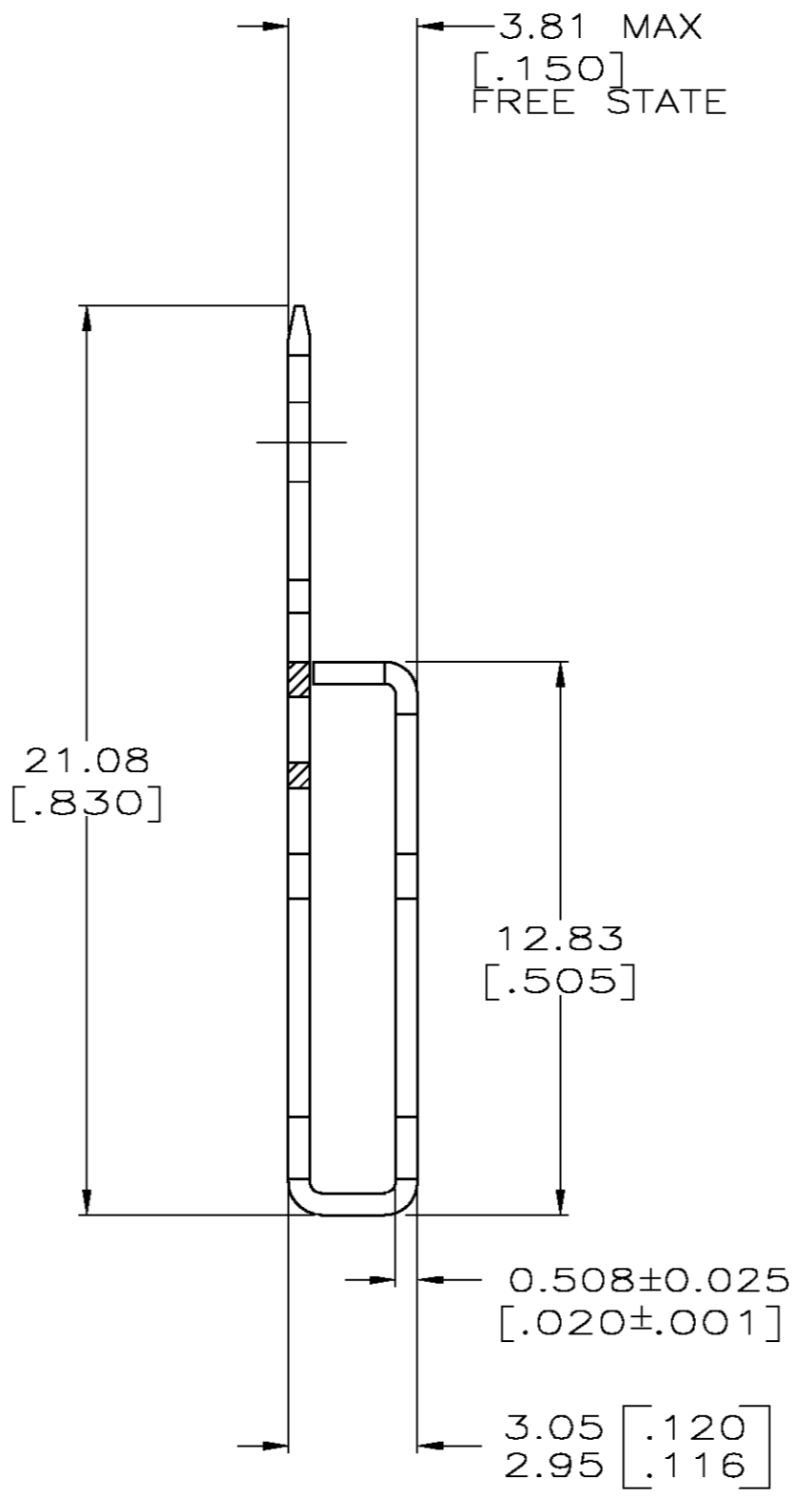
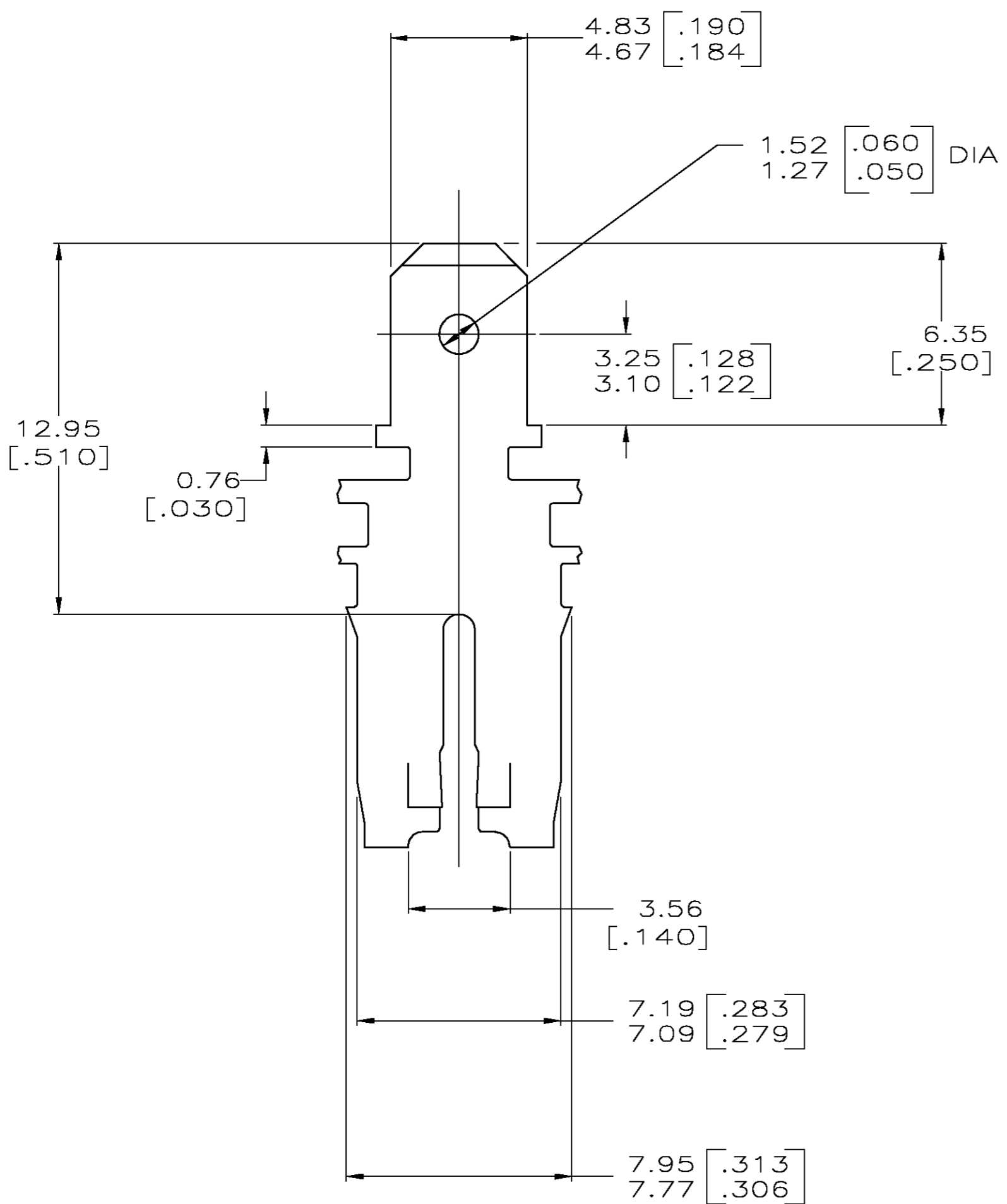
THIS DRAWING IS UNPUBLISHED. RELEASED FOR PUBLICATION
 © COPYRIGHT BY TYCO ELECTRONICS CORPORATION. ALL RIGHTS RESERVED.

LOC		DIST		REVISIONS			
P	LTR	DESCRIPTION		DATE	DWN	APVD	
AF	50	A		REV & REL PER 0G3A-0053-03	14FEB03	JR	KR

IDENTIFICATION NUMBER 43
FOR MAGNET WIRE RANGE



- ① CONTINUOUS STRIP ON REELS WITH TERMINALS LOCATED ON 8.38±0.08 [.330±.003] CENTERS.
- ② SLOT TERMINATES A SINGLE MAGNET WIRE ONLY. COPPER RANGE: 1.54-1.83mm [#14.5-#13] AWG. ALUMINUM RANGE: 183-2.05mm [#13-#12] AWG.
- 3 AFTER INSERTION INTO PLASTIC 'HOLDER' TAB PORTION MUST BE BENT OVER 45 TO 90 OR POTTED-IN TO PREVENT PULL-OUT WHEN MATING RECEPTACLE IS DISCONNECTED.



1217902-1
PART NUMBER

THIS DRAWING IS A CONTROLLED DOCUMENT.		DWN MICHAEL S. FEHER 03DEC2002	Tyco Electronics Corporation Harrisburg, PA 17105-3608	
DIMENSIONS: INCHES		CHK KURT A. RANDOLPH 03DEC2002	NAME TAB, 4.75[.187] FASTON,™ 500 SERIES MAG-MATE™	
TOLERANCES UNLESS OTHERWISE SPECIFIED: 0 PLC ± - 1 PLC ± - 2 PLC ± 0.25[.010] 3 PLC ± - 4 PLC ± - ANGLES ± -		APVD KURT A. RANDOLPH 03DEC2002	PRODUCT SPEC 108-2053	
MATERIAL H03 BRASS		FINISH 0.002032[.000080] MIN TIN PLATE	APPLICATION SPEC 114-2066	RESTRICTED TO -
		WEIGHT -	SIZE A2	CAGE CODE 00779
		CUSTOMER DRAWING	DRAWING NO C=1217902	
			SCALE 6:1	SHEET 1 OF 1
				REV A

1217902