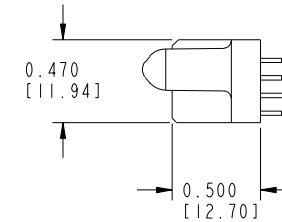
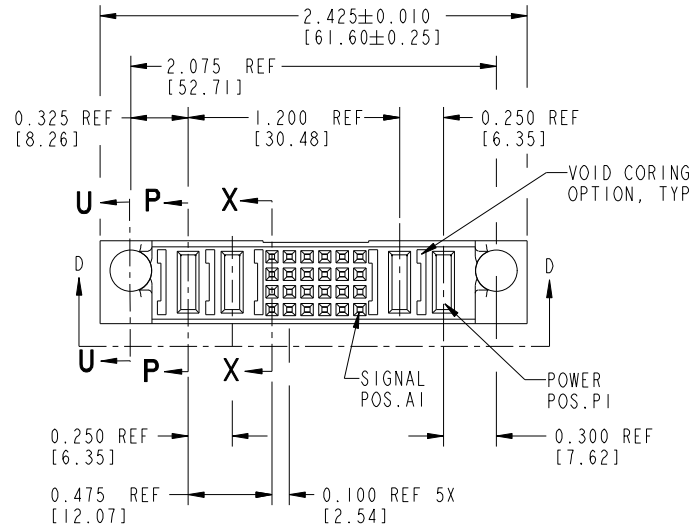
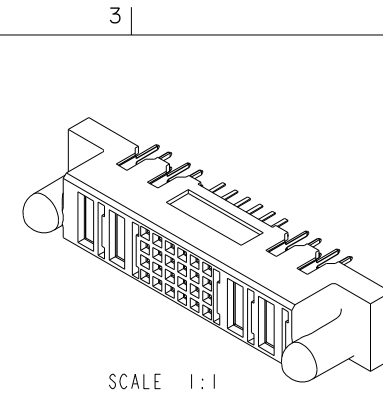
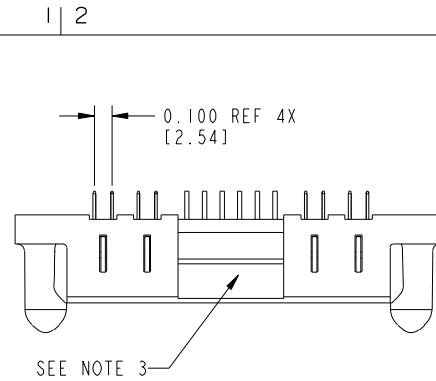


Tous droits strictement reserves. Reproduction ou communication a des tiers interdite sous quelque forme que ce soit sans autorisation écrite du propriétaire. Propriete de c FCI. Droits de reproduction FCI.



All rights strictly reserved. Reproduction or issue to third parties in any form whatever is not permitted without written authority from the proprietor. Property of FCI. Copyright FCI.

PRODUCT NUMBER
51426-001--
NOTE: (2)



mat'l code				SEE NOTES		tolerances unless otherwise specified		CUSTOMER COPY		FCI www.fciconnect.com	
ltr	ecn no.	dr	date	linear	.XX ±.01/.X ±.3		projection		title		
A	V91744	SAR	02/17/00		.XXX ±.005/.XX ±.13				2P + 24S + 2P VERTICAL SOLDER RECEPTACLE		
B	V01583	EKK	07-12-00	angles	.XXX ±.0020/.XXX ±.051			IN/MM	product family		
C	DG05-0238	SJ	07/24/05		0° ± 2°				PwrBlade		
D	DG06-0373	LJC	09/05/06	dr	LEV4	01-18-99	scale	1:1	A	size	code
				enr	J. BROWN	01-29-99				dwg no	213
				chr	J. BROWN	01-18-99				51426	sheet
				appd	J. BROWN	02-17-00				1 of 4	
sheet index	revision sheet	D	D	D	D						
		1	2	3	4						

THIS FILE WAS ORIGINALLY CREATED IN THE PRO ENGINEER ENVIRONMENT AND ANY FUTURE REVISIONS TO THIS FILE MUST BE MADE IN THE PRO ENGINEER ENVIRONMENT

1 | 2

Pro/E

3 |

cage code 22526

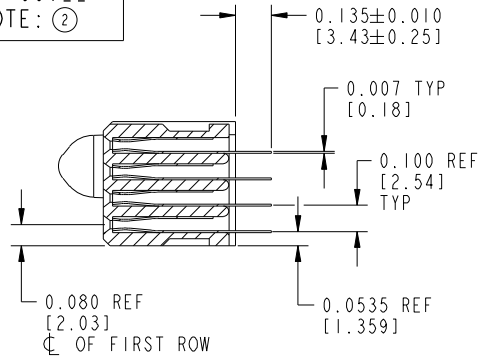
4

Tous droits strictement réservés. Reproduction ou communication à des tiers interdite sous quelque forme que ce soit sans autorisation écrite du propriétaire. Propriété de c.FCI. Droits de reproduction FCI.

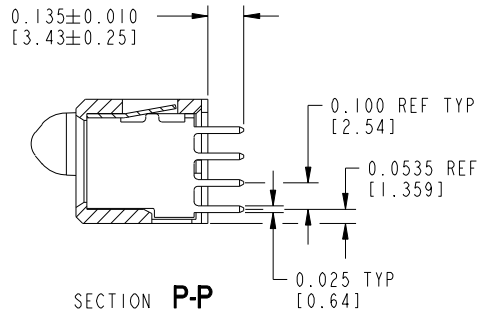


All rights strictly reserved. Reproduction or issue to third parties in any form whatever is not permitted without written authority from the proprietor. Property of FCI. Copyright FCI.

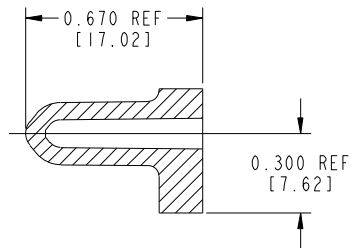
PRODUCT NUMBER
51426-001--
NOTE: ②



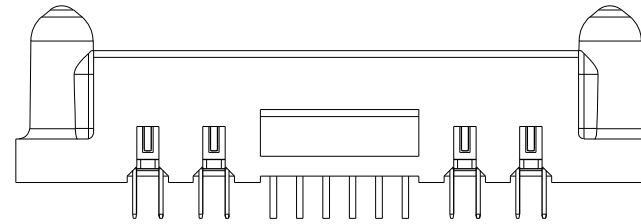
SECTION X-X



SECTION P-P



SECTION U-U



VIEW D-D

mat'l code				tolerances unless otherwise specified		CUSTOMER COPY		www.ficconnect.com		
ltr	ecn no.	dr	date	linear	.XX ±.01/.X ±.3	projection		title		
D					.XXX ±.005/.XX ±.13			2P + 24S + 2P VERTICAL SOLDER RECEPTACLE		
				angles	.XXX ±.0020/.XXX ±.051	IN/MM 3:2	A	product family		
				dr	0° ± 2°			PwrBlade		code
				enrg	J. BROWN 01-18-99			size		213
				chr	J. BROWN 01-18-99			dwg no		sheet
				appd	J. BROWN 02-17-00	51426		2 of 4		
sheet index	revision sheet									

cage code 22526

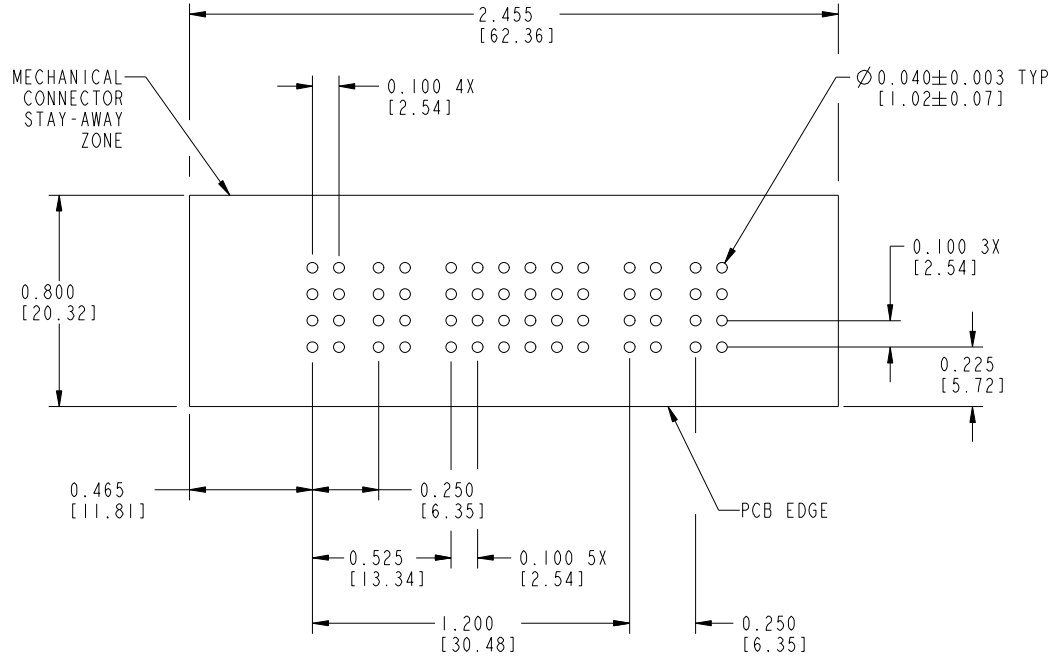
Pro/E

Tous droits strictement réservés. Reproduction ou communication à des tiers interdite sous quelque forme que ce soit sans autorisation écrite du propriétaire. Propriété de c.FCI. Droits de reproduction FCI.



All rights strictly reserved. Reproduction or issue to third parties in any form whatever is not permitted without written authority from the proprietor. Property of FCI. Copyright FCI.

PRODUCT NUMBER
51426-001--
NOTE: ②



RECOMMENDED PCB LAYOUT

mat'l code		-		tolerances unless otherwise specified		CUSTOMER COPY		www.fciconnect.com	
ltr	ecn no.	dr	date	linear	.XX ± .01 / .X ± .3	projection		title	
D					.XXX ± .005 / .XX ± .13			2P + 24S + 2P VERTICAL SOLDER RECEPTACLE	
				angles	.XXX ± .0020 / .XXX ± .051		IN/MM	product family	Pwr Blade
				dr	0° ± 2°	scale	size	dwg no	213
				enr	LEV4 01-18-99	1:1	A	51426	sheet
				chr	J. BROWN 01-29-99				3 of 4
				appd	J. BROWN 02-17-00				
sheet index	revision sheet								

cage code 22526

Pro/E

Tous droits strictement reserves. Reproduction ou communication a des tiers interdite sous quelque forme que ce soit sans autorisation écrite du propriétaire. Propriete de c FCI. Droits de reproduction FCI.



All rights strictly reserved. Reproduction or issue to third parties in any form whatever is not permitted without written authority from the proprietor. Property of FCI. Copyright FCI.

PRODUCT NUMBER
51426-001--
NOTE: ②

CONNECTOR NOTES:

- ① HOUSING MATERIAL: GLASS FILLED HIGH TEMP THERMOPLASTIC, UL94V-0
SIGNAL CONTACT MATERIAL: COPPER ALLOY
POWER CONTACT MATERIAL: COPPER ALLOY
- ② 51426-001; 51426-001LF; 51426-001GLF PLATING SPEC. SEE PRINT: I0064183
3. MANUFACTURER NAME, P/N, AND DATE CODE TO APPEAR ON THIS SURFACE.

PCB NOTES:

4. ALL DIMENSIONS ARE BASIC UNLESS OTHERWISE SPECIFIED
5. ALL THROUGH HOLES ARE LOCATED WITH A TRUE POSITION OF 0.004"
6. ALL DIAMETERS ARE FINISHED HOLE SIZES
7. $\varnothing 0.0453/1.151$ DRILLED HOLES: PLATED WITH
0.0003/0.007 MIN. SnPb OR Sn OVER 0.001/1.03 TO
0.003/0.08 Cu PLATING TO ACHIEVE A $\varnothing 0.040 \pm 0.003/1.02 \pm 0.07$ HOLE

mat'l code				tolerances unless otherwise specified		CUSTOMER COPY		www.fciconnect.com	
ltr	ecr no.	dr	date	linear	.XX ± .01 / .X ± .3		projection	title	
D					.XXX ± .005 / .XX ± .13			2P + 24S + 2P VERTICAL SOLDER RECEPTACLE	
				angles	.XXX ± .0020 / .XXX ± .051			product family	
					0° ± 2°			PRODUCT_FAMILY: 3	
				dr	LEV4	01-18-99	IN/MM	size	213
				enr	PROD_ENG: 3	DATE_ENGR: 3		dwg no	4 of 4
				chr	J. BROWN	01-18-99	scale	51426	
				appd	J. BROWN	02-17-00		A	
sheet index	revision sheet								

cage code 22526

Pro/E