

PART NUMBER	REV	FIRST USED	TERMINATOR	FEED TYPE	DESCRIPTION
1426140-1	B	-	LEADMAKER	MECH POST FEED	CUTS CARRIER
1426140-2	B	-	BENCH	MECH PRE FEED	CUTS CARRIER
1426140-6	B	-	LEADMAKER	MECH POST FEED	CONTINUOUS CARRIER
7-1426140-1	B	-	LEADMAKER	MECH POST FEED	-1 AND SPARE PARTS
7-1426140-2	B	-	BENCH	MECH PRE FEED	-2 AND SPARE PARTS
7-1426140-6	B	-	LEADMAKER	MECH POST FEED	-6 AND SPARE PARTS
7-1426140-7	A	-	-	-	SPARE PARTS KIT

CRIMP DATA AMP TERMINAL AMP CRIMP SPECS			
TERMINAL NAME: MODIFIED FORK CONTACT			
CRIMP	SIZE	TYPE	RANGE
WIRE	1.78 [0.070 IN]	F	18-20 AWG
INSUL	2.79 [0.110 IN]	0	1.80-2.54 [0.070-.100 IN]
WIRE STRIP LENGTH		APPL INSTRUCTION	
3.56-4.37 [0.140-.172 IN]		408-8322	

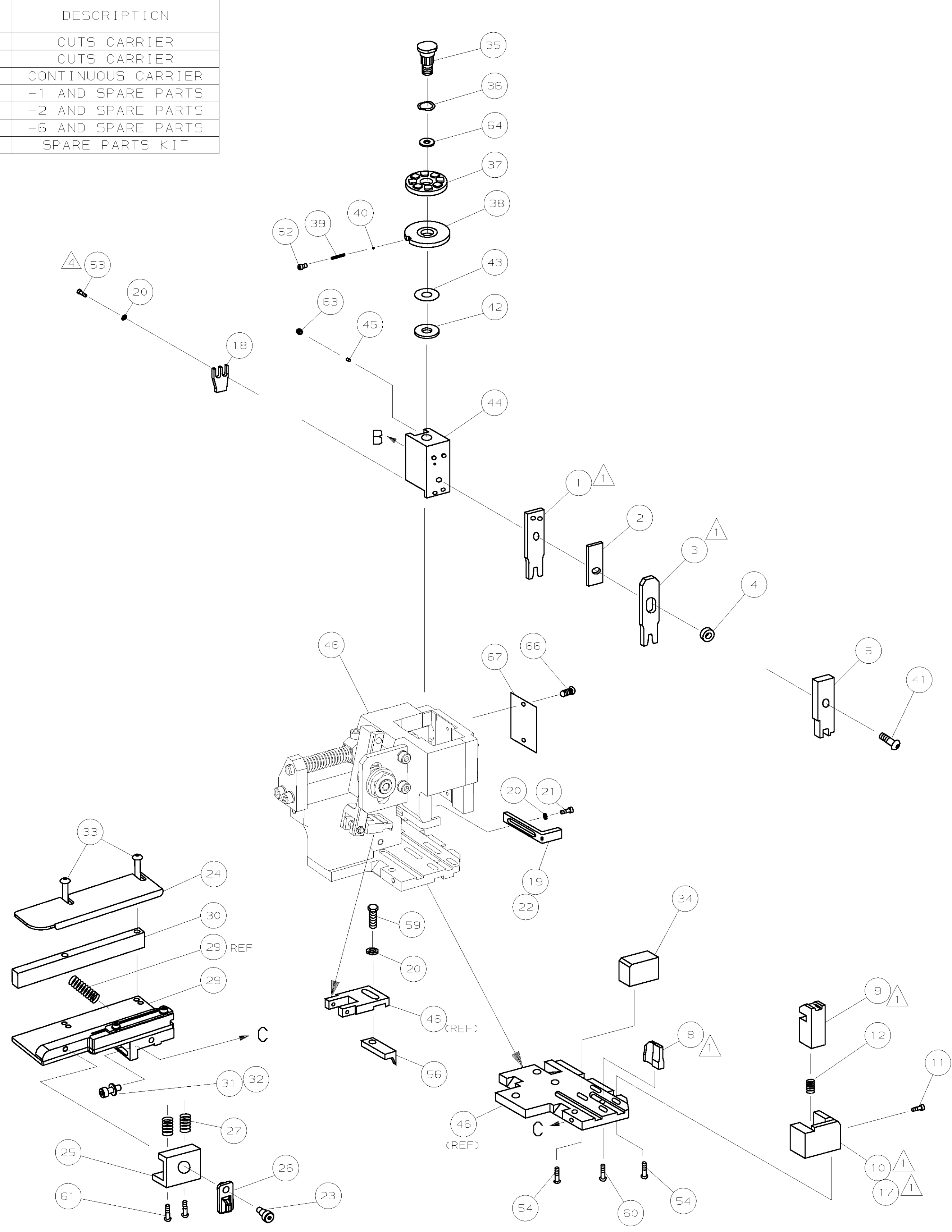
TERMINAL	FEED
APPL SPEC 114-9000	9.15 [0.360 IN]

TERMINALS APPLIED					
583362	-	-	-	-	-
-	-	-	-	-	-
-	-	-	-	-	-
-	-	-	-	-	-
-	-	-	-	-	-
-	-	-	-	-	-
-	-	-	-	-	-
-	-	-	-	-	-

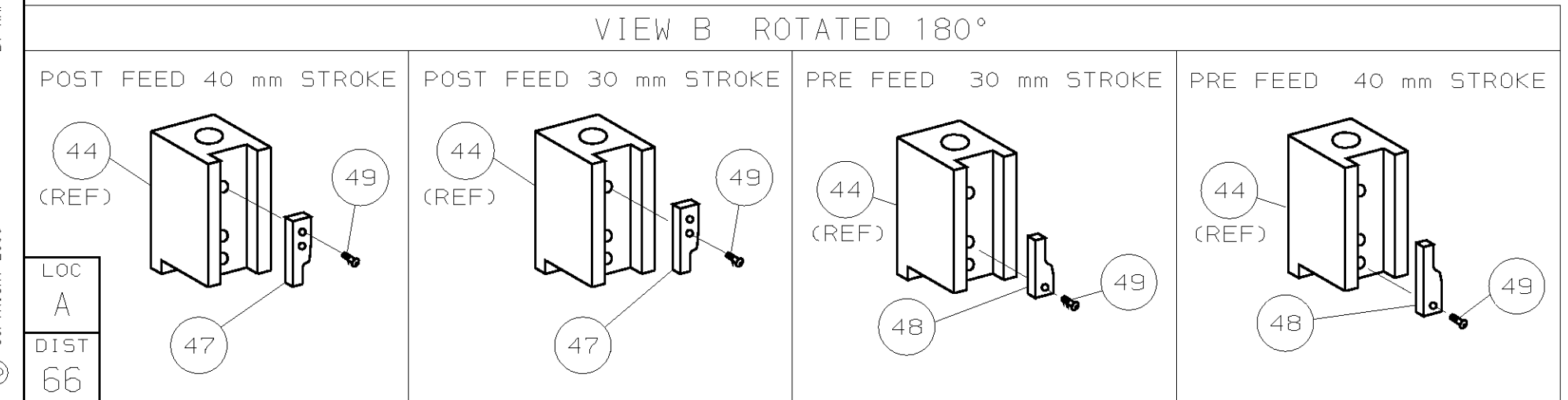
WIRE SIZE	CRIMP HEIGHT	PIN PN & LENGTH [IN]
18 AWG	1.30 ±0.05 [0.051 ±0.002 IN]	2-354779-2 [0.3100]
20 AWG	1.22 ±0.05 [0.048 ±0.002 IN]	2-354779-8 [0.3130]
0.50mm ²	1.19 ±0.05 [0.047 ±0.002 IN]	2-354779-9 [0.3135]
-	-	-
-	-	-
-	-	-
-	-	-
-	-	-
-	-	-
-	-	-
-	-	-
-	-	-
-	-	-
-	-	-
-	-	-
-	-	-
-	-	-
-	-	-
-	-	-

WIRE SIZE	CRIMP HEIGHT	PIN PN & LENGTH [IN]
18 AWG	1.30 ±0.05 [0.051 ±0.002 IN]	2-354779-2 [0.3100]
20 AWG	1.22 ±0.05 [0.048 ±0.002 IN]	2-354779-8 [0.3130]
0.50mm ²	1.19 ±0.05 [0.047 ±0.002 IN]	2-354779-9 [0.3135]
-	-	-
-	-	-
-	-	-
-	-	-
-	-	-
-	-	-
-	-	-
-	-	-
-	-	-
-	-	-
-	-	-
-	-	-
-	-	-
-	-	-
-	-	-
-	-	-
-	-	-

- RECOMMENDED SPARE PARTS.
- GREASE RAM, CAM, CAM FOLLOWER AND FEED ROD LIGHTLY.
- LUBRICATE DAILY PER THE APPLICATOR INSTRUCTION SHEET SUPPLIED WITH THE APPLICATOR.
- CUT TO LENGTH AT ASSY.



QTY	REV	REV	REV	REV	REV	REV	PART NO	DESCRIPTION	ITEM NO
-	1	1	1	1	1	1	1426140	PRINT, APPLICATOR LOG SHEET	73
-	1	1	1	1	1	1	1338705-1	DOCUMENTATION PACKAGE	71
									70
									69
									68
-	1	1	1	1	1	1	461264-1	PLATE, IDENTIFICATION	67
-	2	2	2	2	2	2	21017-2	SCR,DRIVE (#2x.19) ID PLATE	66
									65
-	1	1	1	1	1	1	986950-1	WASHER, FLAT PRECISION	64
-	1	1	1	1	1	1	3-18031-0	SCR,SKT 5ET (M6X6) RAM	63
-	1	1	1	1	1	1	18023-9	SCR,SHC (M4X6) INS DISC	62
-	2	2	2	2	2	2	1-18024-5	SCR,BHC (M5X25) DRAG	61
-	1	1	1	1	1	1	18024-7	SCR,BHC (M4X10) ANVIL	60
-	1	1	1	1	1	1	5-18022-2	SCR,HEX (M4X8) FEED FINGER	59
									58
									57
-	1	1	1	1	1	1	1338685-1	PAWL, FEED	56
									55
-	4	4	4	4	4	4	18024-8	SCR,BHC (M4X12) SHEAR HOLDER	54
-	2	2	2	2	2	2	1-18023-0	SCR,SHC (M4X8) TERM HLD DWN	53
									52
									51
									50
-	1	1	1	1	1	1	18024-3	SCR,BHC (M3X10) CAM	49
-	-	1	-	-	-	-	1338675-1	CAM, PRE FEED 30 & 40 mm ST	48
-	1	-	1	-	-	-	1338676-1	CAM, POST FEED 30 & 40 mm ST	47
-	1	1	1	1	1	1	1320999-3	APPLICATOR BASIC SUBASSY	46
-	1	1	1	1	1	1	690191-1	PLUG, NYLON	45
-	1	1	1	1	1	1	1338660-1	RAM	44
-	1	1	1	1	1	1	690125-1	WASHER, LAMINATED	43
-	1	1	1	1	1	1	690124-1	WASHER, RAM	42
-	1	1	1	1	1	1	2-18024-6	SCR,BHC (M8X25) RAM	41
-	1	1	1	1	1	1	23241-1	BALL, STEEL	40
-	1	1	1	1	1	1	2-22278-7	SPRING, COMPRESSION	39
-	1	1	1	1	1	1	1-1320922-1	DISC, INSULATION	38
-	1	1	1	1	1	1	354777-1	WIRE DISC, PLASTIC	37
-	1	1	1	1	1	1	22480-5	WASHER, SPRING	36
-	1	1	1	1	1	1	690212-1	POST, RAM	35
-	1	1	1	1	1	1	1320934-6	SUPPORT, TERMINAL	34
-	2	2	2	2	2	2	1-18024-0	SCR,BHC (M4X20) STRIP GUIDE	33
-	1	1	1	1	1	1	18027-2	WASHER, FLAT (M4)	32
-	1	1	1	1	1	1	1-18023-2	SCR,SKT CAP (M4X12) MOUNT BLOCK	31
-	1	1	1	1	1	1	1320908-4	SPACER, STRIP GUIDE	30
-	1	1	1	1	1	1	1633073-1	STRIP GUIDE PLATE ASSY	29
									28
-	2	2	2	2	2	2	1-22284-0	SPRING, DRAG	27
-	1	1	1	1	1	1	356835-1	LEVER, DRAG RELEASE	26
-	1	1	1	1	1	1	240792-1	DRAG, TERMINAL	25
-	1	1	1	1	1	1	1320928-1	PLATE, STRIP GUIDE	24
-	1	1	1	1	1	1	980371-4	SCR,SHC SHLD	23
-	1	-	1	-	1	-	690472-2	STRIPPER	22
-	1	1	1	1	1	1	1-18023-1	SCR,SHC (M4X10) STRIPPER	21
-	4	4	4	4	4	4	18025-2	WASHER, LOCK (M4) STRIPPER	20
-	-	1	-	-	1	-	690472-1	STRIPPER	19
-	1	1	1	1	1	1	691830-1	HOLDER, TERMINAL	18
-	1	-	-	1	-	-	1338684-1	HOLDER, SHEAR, FRONT (NO-CUT)	17
									16
									15
									14
									13
-	1	1	1	1	1	1	5-22280-0	SPRING, SHEAR	12
-	1	1	1	1	1	1	356885-4	STOP, SHEAR	11
-	-	1	1	-	1	1	1320921-1	HOLDER, SHEAR, FRONT (CUT)	10
-	1	1	1	1	1	1	454276-1	SHEAR, FLOAT (FRONT)	9
1	2	2	2	2	1	1	1-1333203-2	ANVIL	8
									7
									6
-	1	1	1	1	1	1	455889-9	DEPRESSOR, SHEAR (FRONT)	5
-	1	1	1	1	1	1	238011-4	SPACER, BLOCK CRIMPER	4
1	2	2	2	1	1	1	9-456135-3	CRIMPER, INSULATION	3
-	1	1	1	1	1	1	455888-1	SPACER, CRIMPER	2
1	2	2	2	1	1	1	1-456404-6	CRIMPER, WIRE	1



DIMENSIONS: mm [INCHES]				MATL	HT TR	FIN
DO NOT SCALE PRINT.				-	-	-
TOLERANCES UNLESS OTHERWISE SPECIFIED:						
1 PLC DEC ±0.5 [0.2 IN]						
2 PLC DEC ±						
3 PLC DEC ±						
ANGLES ±						
SURF TEXTURE: ✓						
REMOVE BURRS, BREAK SHARP EDGES RO.38 MAX						