

5

4

3

2

1

DRAWING NO.				
25-7300-CUST				
REVISIONS				
01	OFFICIAL RELEASE			
	08-21-09	Y	U	2009.09.08 09:13:07 Betty +08000



Description: PL259 Male Solder UHF 20lbs, RG8,RG213

Part No: 25-7300

Application: For RG-8,11,213,214 Cable

Crimp Tool: N/A

Impedance: N/A

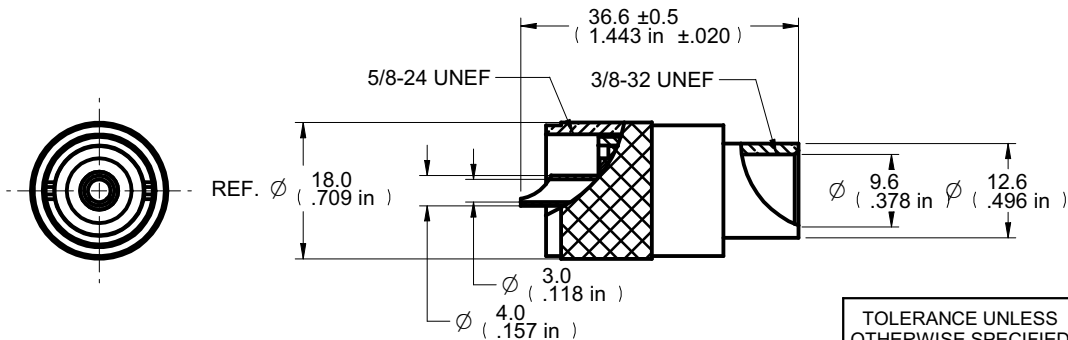
Frequency Range: 0-500 MHz

Material: Body Brass Nickel plated  
Contact Brass Nickel plated  
Nut Brass Nickel plated  
Insulator Delrin

RoHS Compliance: Yes

Technical Detail: Refer to Emerson Document P/N 29-0000

受控 CONTROLLED DOCUMENT					
编号 P/N	25-7300-CUST	版本 Rev	01	日期 Rel'd Date	SEP 14,09



**DIM OUTLINE**

**CUSTOMER COPY**



TOLERANCE UNLESS OTHERWISE SPECIFIED	DRAWN BY	DATE
DECIMALS	BETTY.YU	08-21-09
X	CHECKED BY	DATE
± 0.5	BETTY.YU	08-21-09
X.X	APPROVED BY	DATE
± 0.3	THOMAS	08-21-09
X.XX	U/M	mm
± 0.1		
ANGLES		
± 0.5°		

TITLE  
PL259 MALE SOLDER UHF 20 LBS,RG8,RG213

THIS DRAWING WAS PRODUCED BY COMPUTER, DO NOT SCALE DRAWING OR UPDATE MANUALLY.		SHEET 1 OF 1	DRAWING NO. 25-7300-CUST	SIZE A
---	--	-----------------	-----------------------------	-----------

5

4

3

2

1