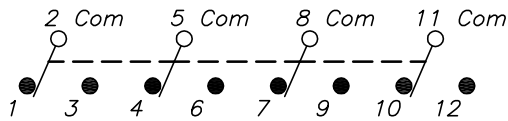


RECOMMENDED P.C.B. LAYOUT
SCALE 1X

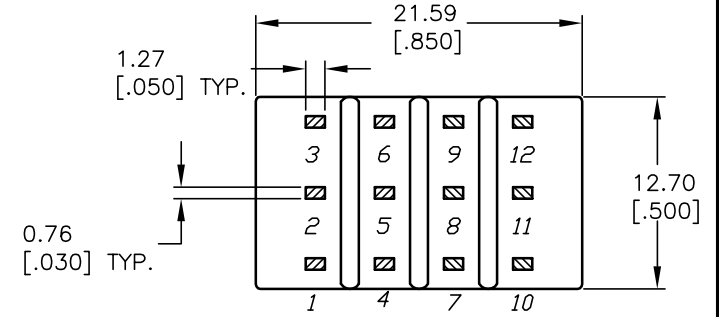
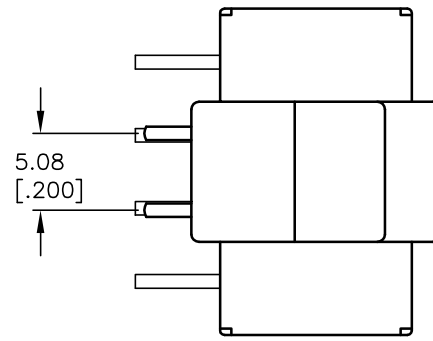


CIRCUIT: 4PDT

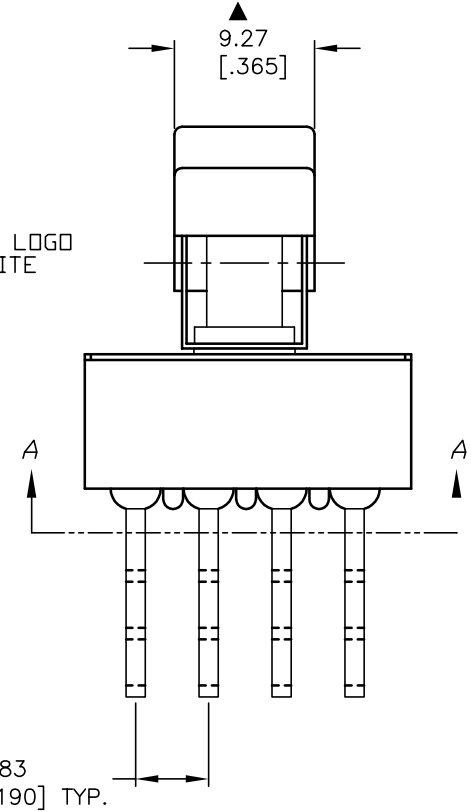
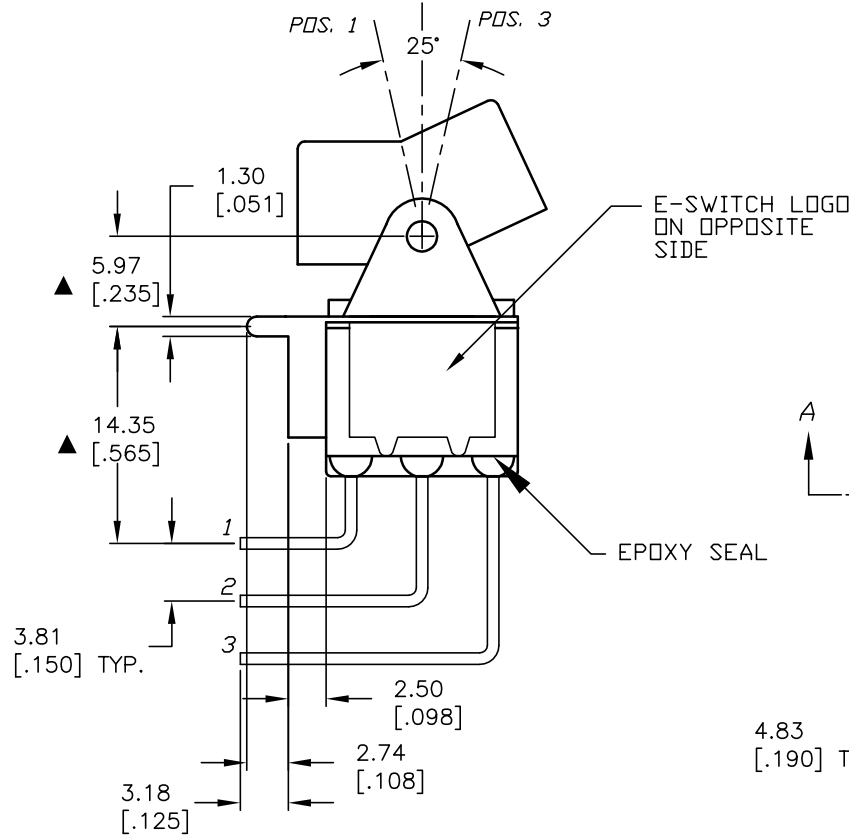
SWITCH FUNCTION		
PDS. 1	PDS. 2	PDS. 3
ON	ON	ON
2-3,5-6 8-9,11-12	2-3, 5-4 8,9 11-10	2-1, 5-4 8,7 11-10

NOTES:

1. ALL DIMENSIONS IN MM [INCH]
2. GENERAL TOLERANCE: X.X=±0.4
X.XX=±0.25
3. TERM. NOS. FOR REF. ONLY
4. RATING: 5A @120VAC or 28VDC; 2A @250VAC.
5. CONTACT MATERIAL: Copper Alloy w/Silver Plating.
6. ELECTRICAL LIFE: 50,000 make-and-break cycles at full load.
7. INSULATION RESISTANCE: 1,000M ohm min.
8. DIELECTRIC STRENGTH: 1,000 V RMS @sea level.
9. OPERATING TEMP.: -30°C to 85°C
10. ▲ DENOTES CRITICAL PARAMETER.



SECTION A-A



E-SWITCH®

TITLE				
3004P6J1BLKM7QE				
SCALE	DATE	DR	DWG	REV
2:1	1/15/04	AR	T346008	A

A	13704	RELEASED FOR PRODUCTION	1/15/04	AR
REV.	ECN No.	DESCRIPTION	DATE	CHKD

THE INFORMATION CONTAINED IN THIS DOCUMENT IS PROPRIETARY TO E-SWITCH AND IS NOT TO BE COPIED OR TRANSFERRED