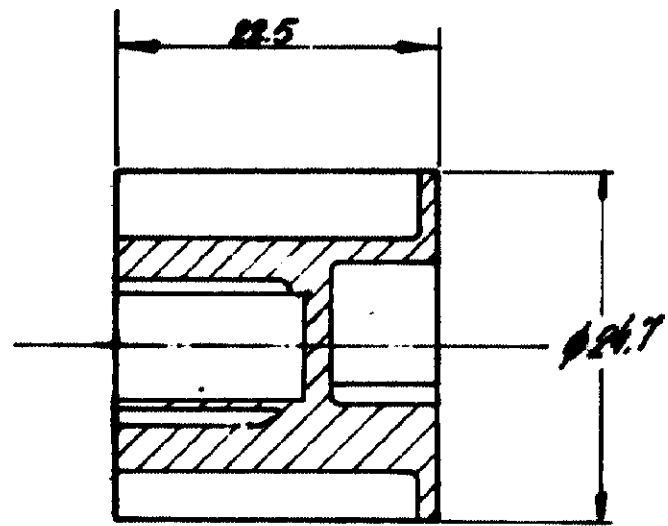
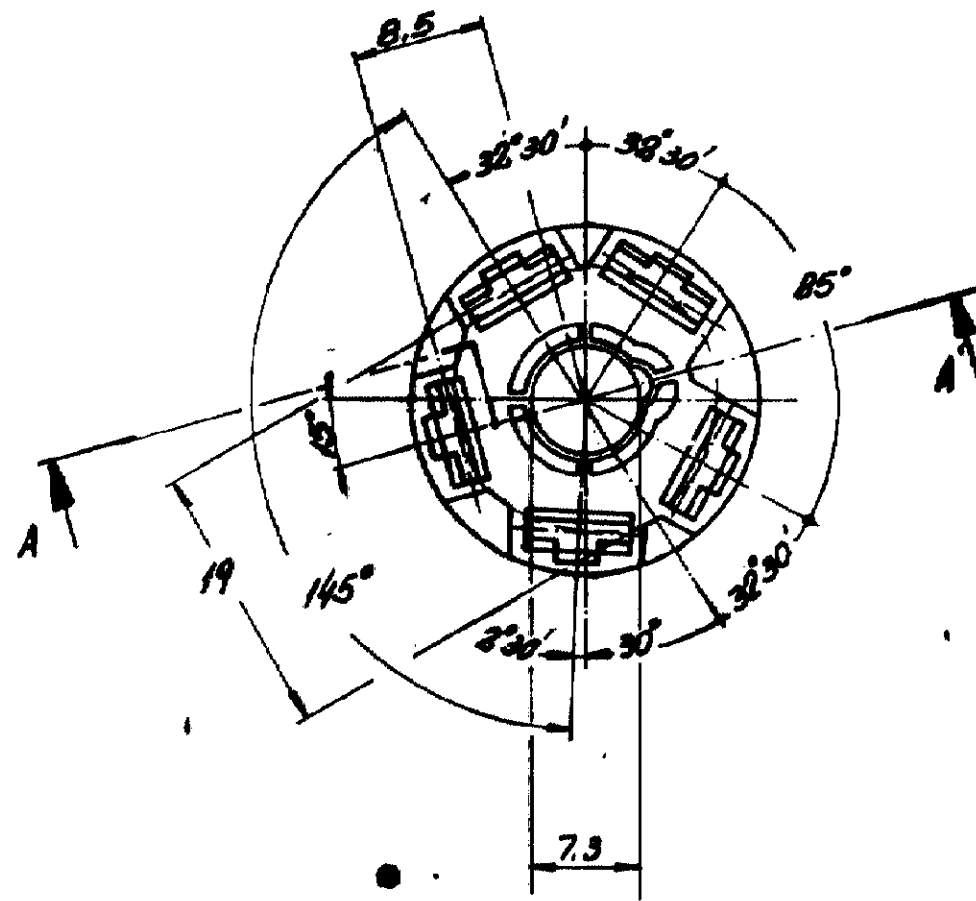
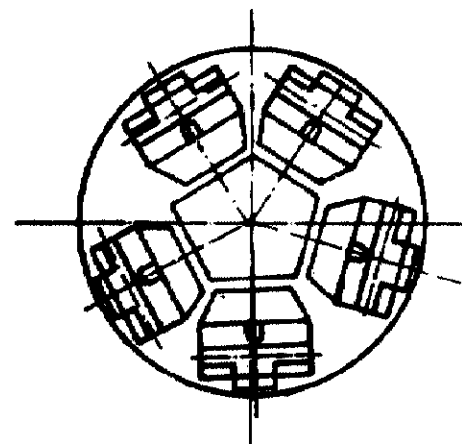


Copyright 1979. by AMP DO BRASIL - S. P. All International Rights Reserved.  
AMP Incorporated products covered by U. S. and Foreign patents and/or patents pending.

REVISIONS						
P.	F.	ZONE	LTR	DESCRIPTION	DATE	APPROVED
		B1,3	0-1	Ø 7,3 era 11,5 ; ACRESC. POLARIZACÃO	9-3-81	<i>[Signature]</i>
		B1	2	NYLON 6 ERA NYLON 6/6	27-3-81	<i>[Signature]</i>
		✓ B1	C	POLIAMIDA 6.6 ERA POLIAMIDA 6.6	25/10/81	<i>[Signature]</i>
			C1	REVISED PER ECO-09-026444	27NOV09	KK AEG



SECCÃO AA



△ OBSOLETE PARTS: OBSOLETE CIS STREAMLINING PER D.RENAUD/D.SINISI

△ OBSOLETE

PRETO	POLIAMIDA 6.6	-2
<del>BRANCO</del>	<del>POLIAMIDA 6.6</del>	<del>626 240-1</del>
COR	MATERIAL	PART NO

UNLESS OTHERWISE SPECIFIED DIMENSIONS ARE IN DECIMALS ± ANGLES ±	CONTRACT NO	AMP DO BRASIL S. Paulo - Brasil		
	DR C.C. LIMA 19/11/79	NAME 5WAY .250 FASTIN-ON REC. HSG.		
MATERIAL VER TABELA	CHK U. ROCHA 20/1/79	APPD	APPD	DRAWING NO 626 240
FINISH VER TABELA	INS. RANGE	INS. RANGE	SIZE B	LOC AP. DRAWING NO 626 240
			SCALE 2/1	SHEET 1 of 1

CUSTOMER DRAWING