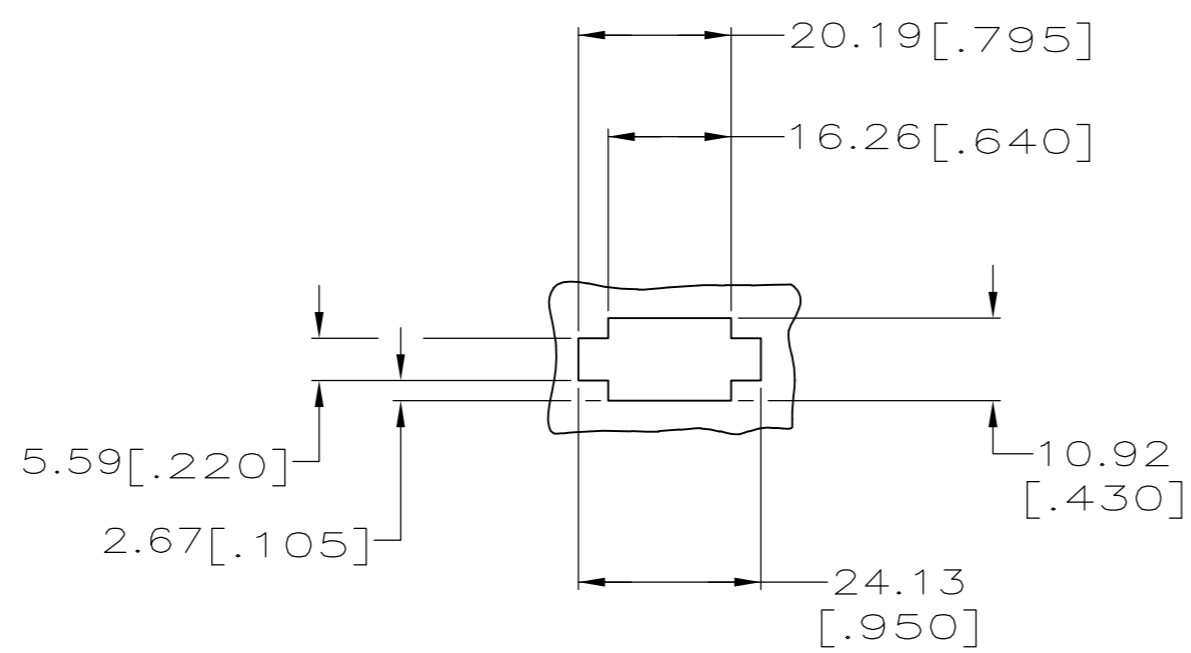
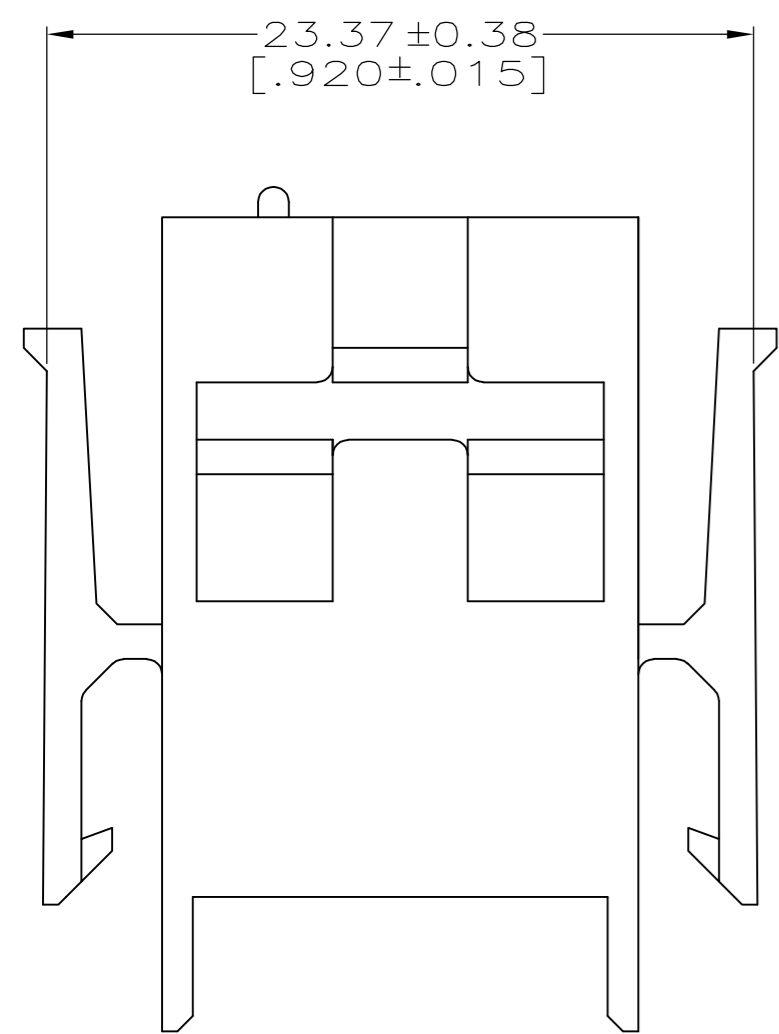
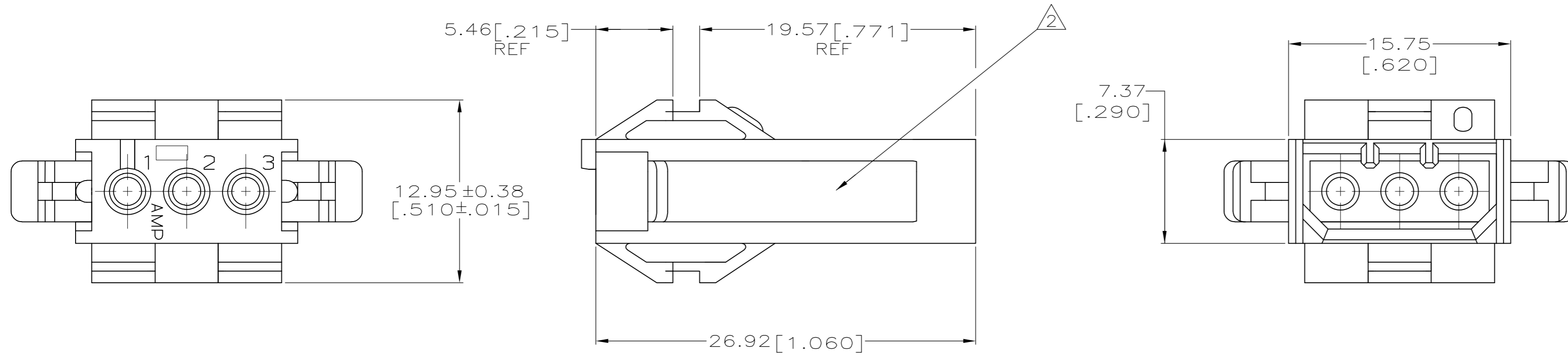


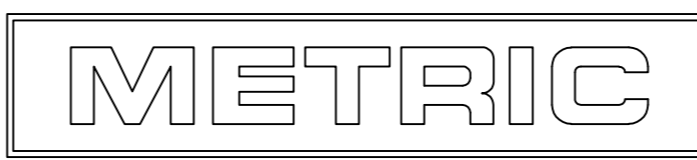
THIS DRAWING IS UNPUBLISHED. RELEASED FOR PUBLICATION  
 © COPYRIGHT - By - ALL RIGHTS RESERVED.

LOC		DIST		REVISIONS			
P	LTR	DESCRIPTION		DATE	DWN	APVD	
CM	52	D1	REVISED PER ECO-11-004917		11MAR11	RK	HMR

- MATES WITH HOUSING 640518.
- UL LOGO AND CSA LOGO TO APPEAR ON EITHER LATCH SURFACE PER AMP SPEC 202-20, I.D. NO. 1-18838-3 AND 1-18839-3. FROST BACKGROUND OPTIONAL.
- DIMENSIONS IN BRACKETS ARE IN INCHES.



RECOMMENDED CUT OUT  
 FOR 1.73 [0.068] MAX THICK PANEL  
 SCALE 1:1



1-640508-0  
 PART NUMBER

THIS DRAWING IS A CONTROLLED DOCUMENT.		DWN	R. VESTAL	7-12-96		TE Connectivity						
DIMENSIONS: mm [INCHES]		CHK	R. SWING	7-12-96		NAME						
TOLERANCES UNLESS OTHERWISE SPECIFIED:		APVD	A. BEDDICK	7-12-96		HOUSING, CAP						
0 PLC ± -		PRODUCT SPEC	APPLICATION SPEC			MRL						
1 PLC ± -		WEIGHT			SIZE			CAGE CODE		DRAWING NO		RESTRICTED TO
2 PLC ± 0.13 [0.005]		CUSTOMER DRAWING			A2			00779		C-640508		-
3 PLC ± -		SCALE			4:1			SHEET		1 OF 1		REV
4 PLC ± -		FINISH			-			-		-		D1
ANGLES ± 0° 30'		-			-			-		-		-
MATERIAL NYLON, UL 94V-0, NATURAL (BRICK RED)		-			-			-		-		-

640508