

THIS COPY IS PROVIDED ON A RESTRICTED BASIS AND IS NOT TO BE USED IN ANY WAY DETRIMENTAL TO THE INTERESTS OF PANDUIT CORP.

PANDUIT PART NUMBER	STUD SIZE	DIMENSIONS in.				
		A ±.030	W ±.010	C ±.020	M ±.030	H ±.010
PN18-6FF-3K	#6	.80 (20.32)	.28 (7.11)	.19 (4.83)	.64 (16.26)	.15 (3.81)
PN18-8FF-3K	#8	.87 (22.10)	.31 (7.87)	.23 (5.84)	.68 (17.27)	.17 (4.32)
PN18-10FF-3K	#10	.87 (22.10)	.35 (8.89)	.23 (5.84)	.68 (17.27)	.20 (5.08)

NOTES :

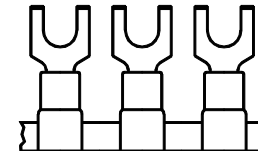
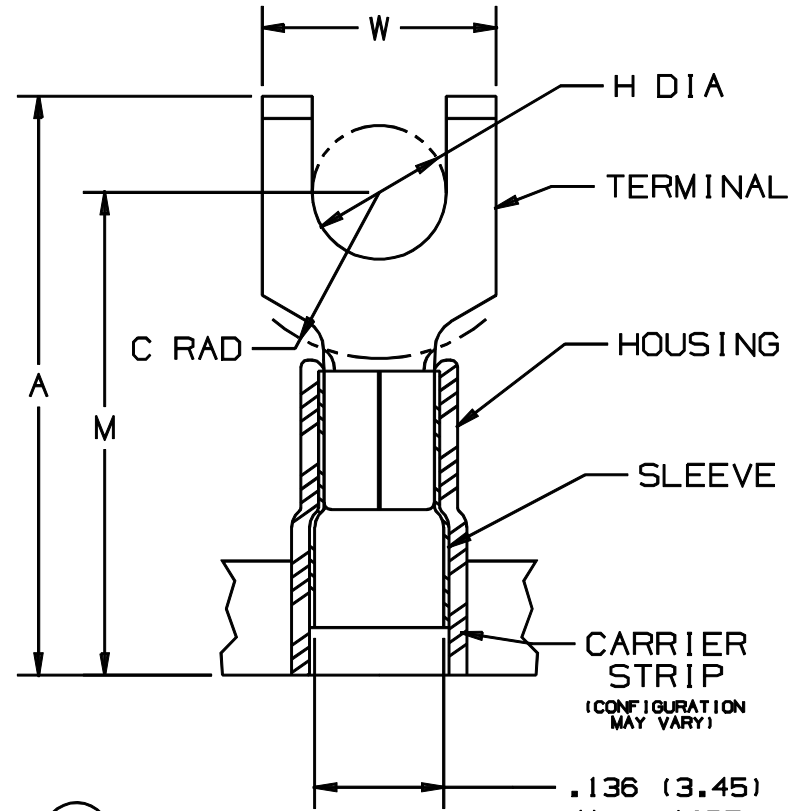
- UL LISTED AND CSA CERTIFIED FOR :
 - 600 V MAX. VOLTAGE RATING
 - 221°F (105°C) MAX. TEMP. RATING
 - #22-18 AWG (0.3-0.9 mm²) SOLID OR STRANDED, COPPER WIRE
- PACKAGE QTY. : 3K = 3000 PCS.
CONTINUOUS MOLDED CARRIER STRIP
- MATERIAL :
 - STAMPING - .03" THK COPPER, TIN PLATED
 - HOUSING - RED NYLON
 - SLEEVE - BRASS, TIN PLATED
- DIMENSIONS IN BRACKETS ARE IN MILLIMETERS
- INSTALLATION TOOLS :
 - PRESSES - CP-851, CP-860, CP-861
 - APPLICATOR - CA-800
 - DIE INSERTS - CD-800-1
- WIRE STRIP LENGTH: $7/32^{+1/32}_{-0}$ (5.6^{+.8}₋₀)



LISTED
587H
E52164



CERTIFIED
LR31212



05	2/00	ED		FILESPEC WAS: N41093AA_PCD_04	08925		
04	11/96	JB		ADDED DIM. .080 (2.03) MIN. WIRE INSUL DIA.	05420		
03	9/96	TSM	RLS	REVISE DIMS., TOLERANCES, ADD NOTE #6	05069	LA	
02	10/92	DL	FS	PN18-10FF-3K: A WAS .89 (22.61),		LA	
--	----	--	--	W WAS .35 (8.89), FILESPEC WAS A41093A	--	--	--
REV	DATE	BY	CHK	DESCRIPTION	ECN	CUST	PM

A41093_05

PANDUIT

CORP.

TINLEY PARK, ILLINOIS

TERMO 3PC. CONTINUOUSLY MOLDED NYLON INSULATED, 22-18 BARREL, FLANGED FORKS

DRAWN BY	CHK'D	SCALE	DRAWING NO.
JMV	FS	NONE	A41093