

**ebm-papst Mulfingen GmbH & Co. KG**

Bachmühle 2

D-74673 Mulfingen

Phone: +49(0)7938/81-0

Fax: +49(0)7938/81-110

info1@de.ebmpapst.com

www.ebmpapst.com

**Nominal data**

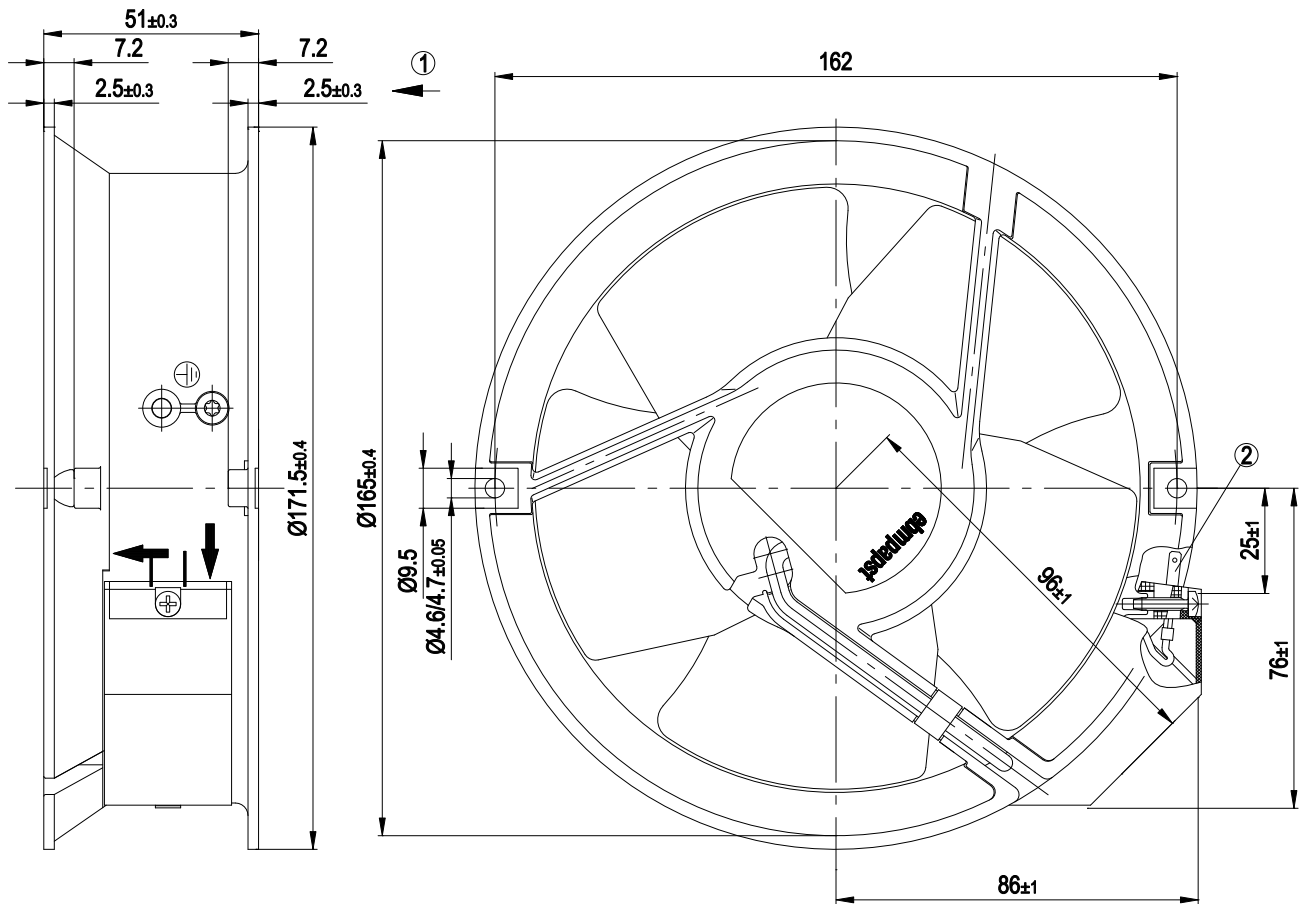
<b>Type</b>	<b>W2E143-AA09-01</b>		
<b>Motor</b>	<b>M2E052-BF</b>		
Phase		1~	1~
Nominal voltage	[V]	230	230
Frequency	[Hz]	50	60
Type of data definition		rfa	rfa
Valid for approval / standard		CE	CE
Speed	[min <sup>-1</sup> ]	2800	3300
Power input	[W]	24	26
Current draw	[A]	0.12	0.11
Motor capacitor	[µF]	0.75	0.75
Capacitor voltage	[VDB]	400	400
Capacitor standard		P0 (CE)	P0 (CE)
Max. ambient temperature	[°C]	70	70

ml = max. load · me = max. efficiency · rfa = running at free air · cs = customer specs · cu = customer unit  
Subject to alterations

### Technical features

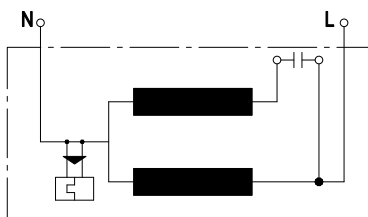
Leakage current	< 0.75 mA
Size	143 mm
Operation mode	S1
Direction of rotation	Counter-clockwise, seen on rotor
Mounting position	Any
Electrical leads	With plug
Direction of air flow	"V"
Insulation class	"B"
Condensate discharge holes	None, open rotor
Bearing motor	Ball bearing
Mass	1.0 kg
Housing material	Die-cast aluminum, coated in black
Material of impeller	Sheet steel, coated in black
Motor protection	Thermal overload protector (TOP) wired internally
Product conforming to standard	CE; EN 60335-1
Surface of rotor	Rotor open, coated in black
Number of blades	5
Type of protection	IP 20
Protection class	I (if earth wire is connected by customer)
Max. permissible ambient motor temp. (transp./ storage)	+ 80 °C
Min. permissible ambient motor temp. (transp./storage)	- 40 °C
Approval	CCC; CSA C22.2 Nr.113; GOST; UL 507; VDE

## Product drawing

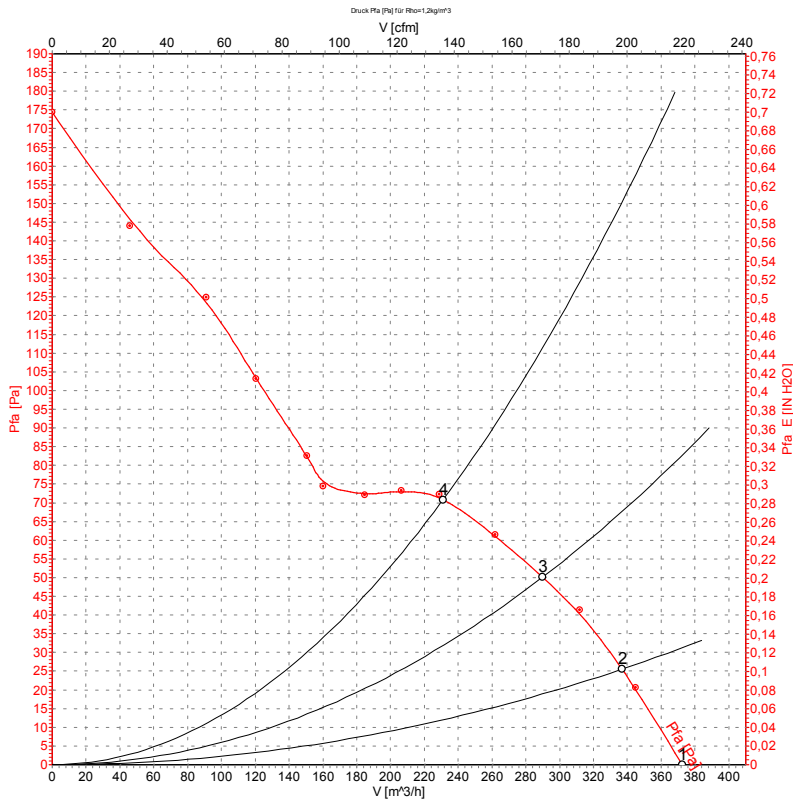


- |   |                           |
|---|---------------------------|
| 1 | Direction of air flow "V" |
| 2 | Flat plugs 2.8 x 0.5 mm   |

## Connection screen



## Charts: Air flow 50 Hz

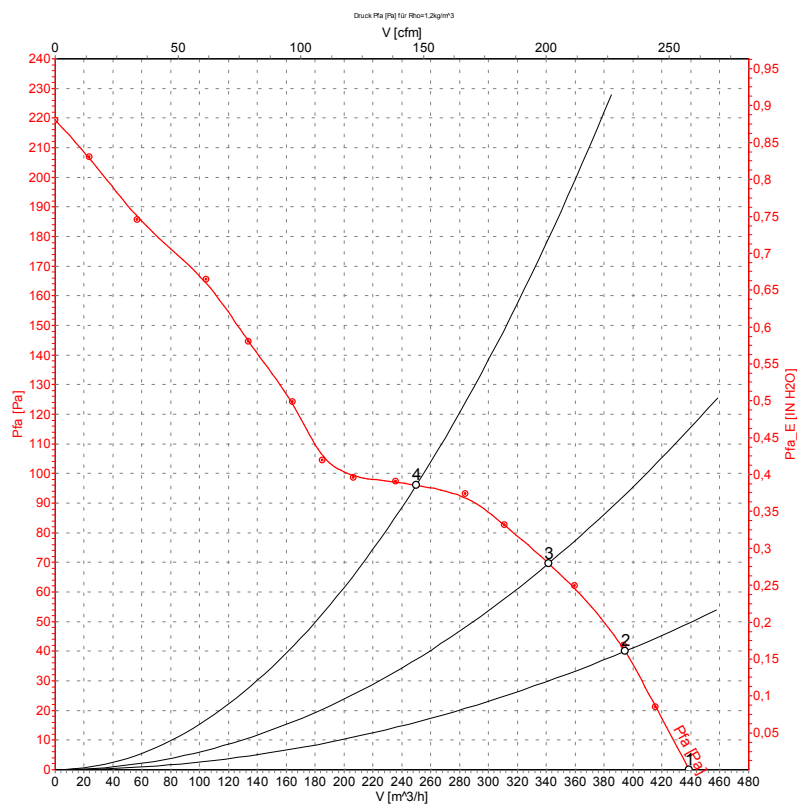


Measurement: LU-26627

### Measured values

	U	f	n	P <sub>1</sub>	I	$\hat{V}$	P <sub>fa</sub>
	[V]	[Hz]	[min <sup>-1</sup> ]	[W]	[A]	[m <sup>3</sup> /h]	[Pa]
1	230	50	2860	24	0.12	375	0
2	230	50	2840	25	0.12	335	25
3	230	50	2825	25	0.12	290	50
4	230	50	2810	26	0.13	230	70

## Charts: Air flow 60 Hz



### Measured values

	U	f	n	P <sub>1</sub>	I	$\hat{V}$	P <sub>fa</sub>
	[V]	[Hz]	[min <sup>-1</sup> ]	[W]	[A]	[m <sup>3</sup> /h]	[Pa]
1	230	60	3385	26	0.11	440	0
2	230	60	3335	28	0.12	395	40
3	230	60	3310	29	0.13	340	70
4	230	60	3295	30	0.13	250	95