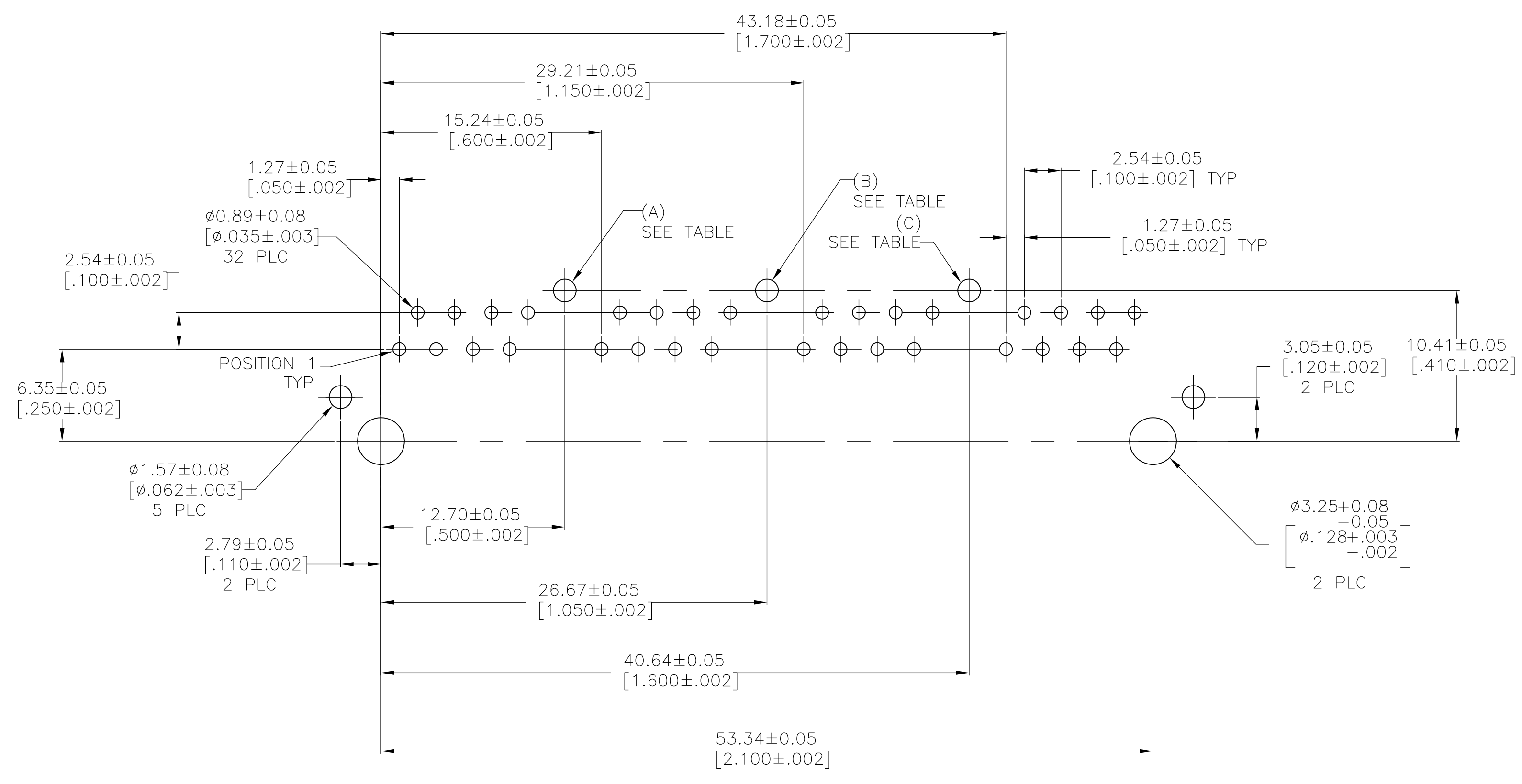
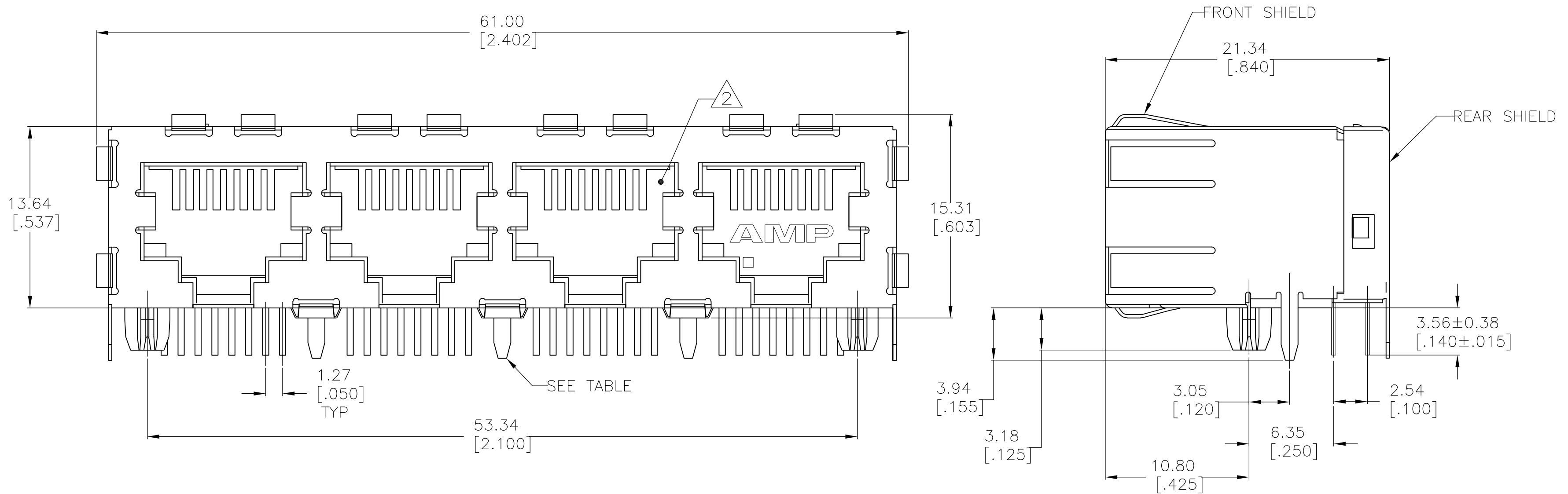


LOC		DIST		REVISIONS			
AA	00	REV	DESCRIPTION	DATE	BY	CHK	APPV
C1	ECR-10-000024			04JAN2010	TY	SY	
C2	REVISED PER ECO-10-000444			19JAN10	KK	HMR	



RECOMMENDED PC BOARD LAYOUT
COMPONENT SIDE

- MATERIAL: HOUSING - NYLON, COLOR: BLACK, UL 94V-0. OVERMOLDED TERMINAL ARRAY - PBT, BROWN. TERMINALS - 0.33[.013] THICK PHOS BRONZE PLATED WITH 1.27µm[.000050] MINIMUM HARD GOLD IN LOCALIZED AREA AND 3.81µm[.000150] MINIMUM TIN IN SOLDER AREA OVER 1.27µm[.000050] MINIMUM NICKEL UNDERPLATE. SHIELD - 0.254[.010] THICK COPPER ALLOY PLATED WITH 1.27µm[.000050] MINIMUM NICKEL AND 2.03µm[.000080] MINIMUM HOT TIN DIP ON PCB GROUND TABS.

- ⚠ JACK CAVITY CONFORMS TO FCC RULES AND REGULATIONS, PART 68 SUBPART F.
- ⚠ OBSOLETE PARTS: OBSOLETE CIS STREAMLINING PER D.RENAUD/D.SINISI

OBSOLETE	(A)	(B)	(C)	ALL THREE	5406281-3
	(B)	(1)	MIDDLE		-5406281-2-
	NONE		NONE		-5406281-1-
	HOLES USED	NO. OF REAR TABS	PART NO.		

THIS DRAWING IS A CONTROLLED DOCUMENT.		DIN	170CT2007	Tyco Electronics Corporation Harrisburg, PA 17105-3608
		J.ALCORTA/L.A.MAYER	170CT2007	
DIMENSIONS: mm [INCHES]		CHK	170CT2007	Tyco Electronics
		J.WESTMAN	170CT2007	
TOLERANCES UNLESS OTHERWISE SPECIFIED:		APPV	170CT2007	MODULAR JACK ASSEMBLY, 4 PORT, 8 POSITION, SHIELDED, REVERSE PANEL GROUND TABS, CATEGORY 5
0 PLC ± -		NAME		
1 PLC ± -		S.FLICKINGER		
2 PLC ± -		PRODUCT SPEC		
3 PLC ± -		APPLICATION SPEC		108-1163-2
4 PLC ± -		SIZE		114-2048
ANGLES ± -		CAGE CODE		00779
MATERIAL SEE NOTE 1		DRAWING NO		5406281
FINISH SEE NOTE 1		WEIGHT		-
		CUSTOMER DRAWING		SCALE 4:1 SHEET 1 OF 1 REV C2