

## 3.0x2.6mm Compact Tactile Switch

### Features

#### Optimized Mechanical Features

- Surface mount J bend terminal configurations
- Compatible with IR reflow and manual soldering
- Variety of operating force options

#### Optimized Contact System

- Excellent tactile feedback

#### Materials

- Silver coated terminals for better solderability
- High temperature materials (UL94V-0)
- RoHS compliant



## Electrical and Mechanical Specifications

#### Switch Contact Resistance

500 milliohms maximum

#### Insulation Resistance

100 Megohms minimum between insulated terminals

#### Maximum Rating

50mA, 12 VDC

#### Dielectric Strength

250 VAC for 1 minute between adjacent terminals

#### Operating Force

100, 160 or 240 gf

#### Travel

0.15 mm

#### Operating Temperature

- 40°C to +85°C

#### Storage Temperature

- 40°C to +85°C

#### Actuator Strength

3 Kgf. maximum

#### Actuation Life

100 gf: 100,000 cycles  
160 gf: 300,000 cycles  
240 gf: 200,000 cycles

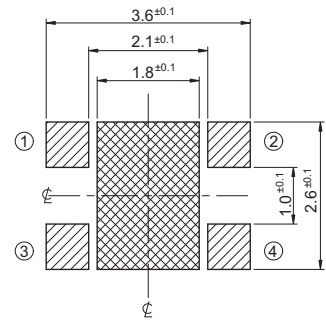
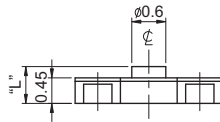
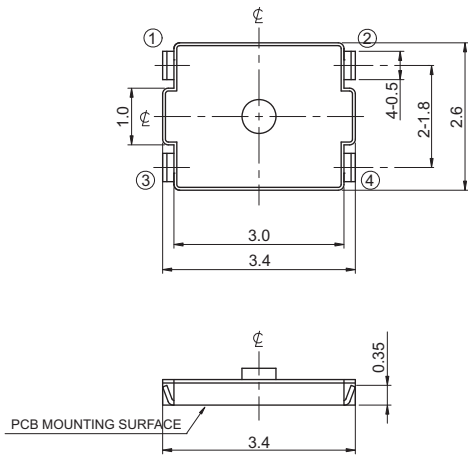
#### Allowable Solder Time

IR Reflow: Up to 5 seconds at 260°C  
Manual soldering: Up to 3 seconds at 350°C

#### Packaging

Standard: Tape and reel packaging with 330mm diameter reel and 12mm wide plastic tape

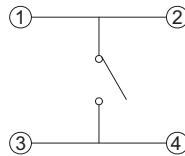
## CTS SERIES 226CJVAAR - Surface Mount J Bend Terminal, 100gf



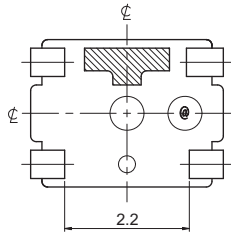
Do not place circuit in this area

### PCB LAYOUT

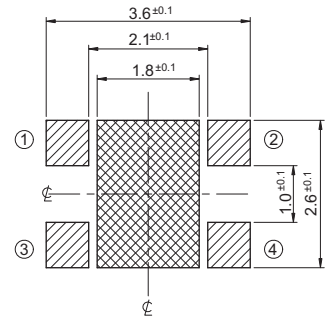
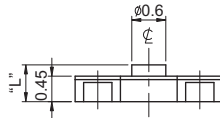
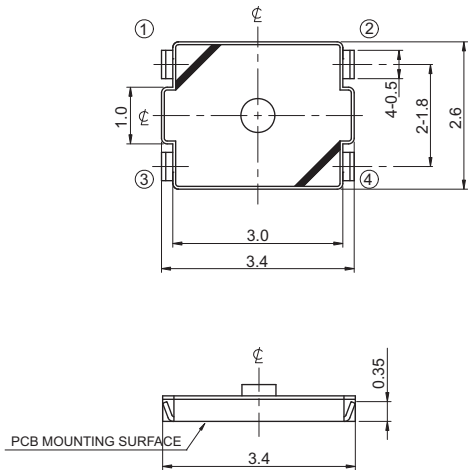
### CIRCUIT DIAGRAM



DIMENSION : mm  
STANDARD TOLERANCE :  
.X (1 PLACE) : ±0.2



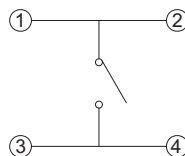
## CTS SERIES 226CJVABR - Surface Mount J Bend Terminal, 160gf



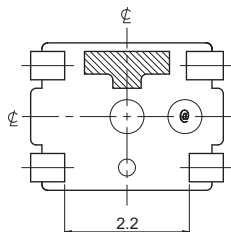
Do not place circuit in this area

### PCB LAYOUT

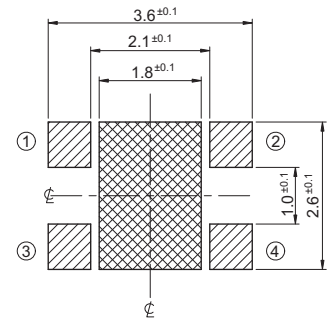
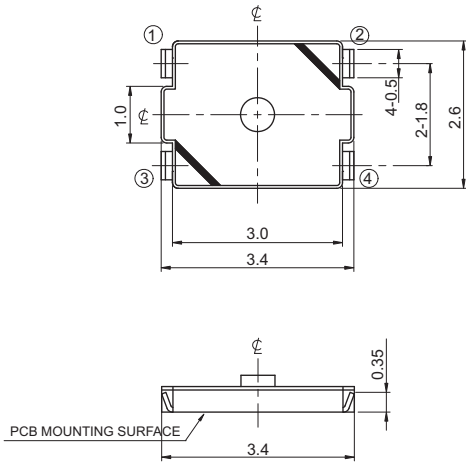
### CIRCUIT DIAGRAM



DIMENSION : mm  
STANDARD TOLERANCE :  
.X (1 PLACE) : ±0.2



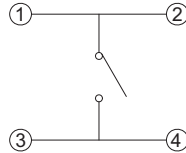
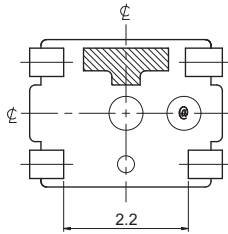
# CTS SERIES 226CJVBCR - Surface Mount J Bend Terminal, 240gf



Do not place circuit in this area

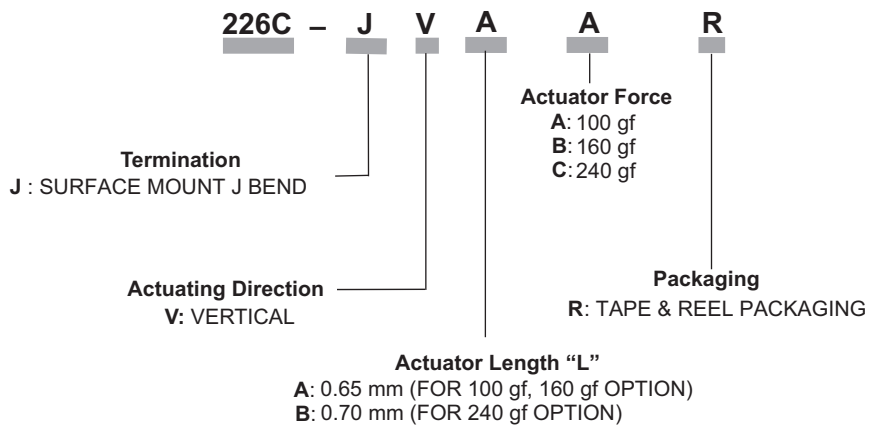
## PCB LAYOUT

## CIRCUIT DIAGRAM



DIMENSION : mm  
STANDARD TOLERANCE :  
.X (1 PLACE) : ±0.2

## Ordering Information



### Note:

Consult CTS for other common features not listed.