

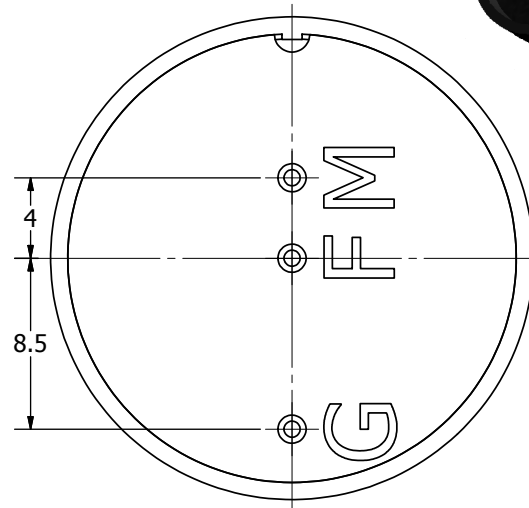
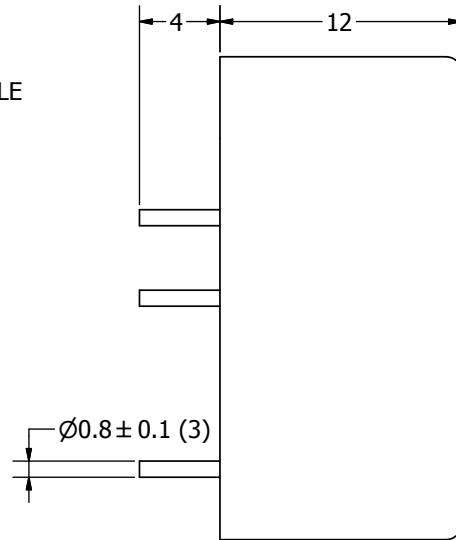
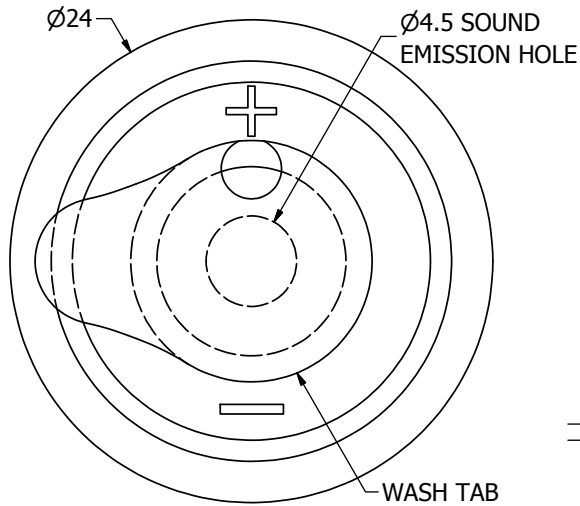
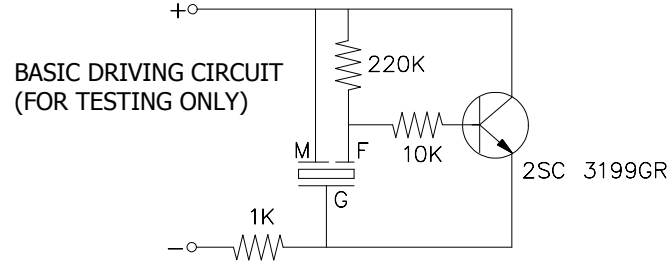
SPECIFICATIONS

PARAMETERS	VALUES	UNITS
RATED VOLTAGE	12	Vp-p
OPERATING VOLTAGE RANGE	3 ~ 28	Vp-p
RATED CURRENT (MAX)	8	mA
CAPACITANCE	17,000 ± 30%	pF
MINIMUM SPL @ 10 CM	92	dBA
RESONANT FREQUENCY	3,000 ± 500	Hz
OPERATING TEMPERATURE	-20 ~ +85	°C
STORAGE TEMPERATURE	-30 ~ +95	°C
HOUSING MATERIAL	PBT	-
TERMINAL MATERIAL	Au PLATED BRASS	-
WEIGHT	3.4	grams

THIS DOCUMENT CONTAINS DATA PROPRIETARY TO PROJECTS UNLIMITED, INC. ANY USE OR REPRODUCTION, IN ANY FORM, WITHOUT PRIOR WRITTEN PERMISSION OF PROJECTS UNLIMITED, INC. IS PROHIBITED.
©2003, Projects Unlimited Inc.

REVISION HISTORY

LTR	DESCRIPTION	DATE	APPROVED
-	RELEASED FROM ENGINEERING	6/12/2006	
A	ADDED DRIVE CIRCUIT DIAGRAM	1/4/2007	R.W.
B	REVISED TO INVENTOR 3-D DRAWING TEMPLATE	8/8/2008	B.R.



NOTES:

1. ALL DIMENSIONS ARE IN MILLIMETERS.
2. SPECIFICATIONS SUBJECT TO CHANGE OR WITHDRAWL WITHOUT NOTICE.
3. THIS PART IS RoHS 2002/95/EC COMPLIANT.

UNLESS OTHERWISE SPECIFIED: DIMENSIONS ARE IN MILLIMETERS, TOLERANCES ARE ±0.5 AND ANGLES ARE ±3°.	SIZE A3	Designed by	Date	Checked by	Date	Approved by	Date	Drawn Date	
		J.D.	6/11/2006	E.P.	6/11/2006	B.R.	6/11/2006	8/8/2008	
AT-2428-TWT-R.idw						AT-2428-TWT-R Transducer (Piezo)		Edition -	Sheet 1 / 1