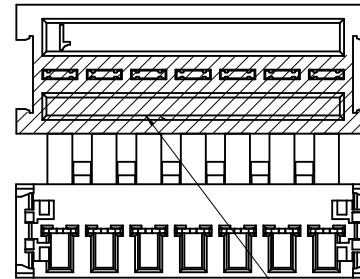
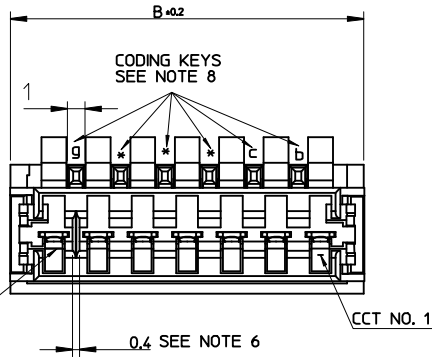


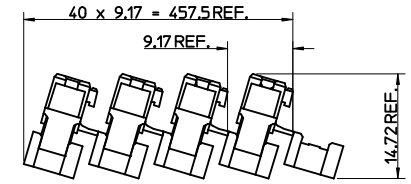
CCT	DIM A	DIM B
3	5.0	9.875
4	7.5	12.375
5	10.0	14.875
6	12.5	17.375
7	15.0	19.875
8	17.5	22.375
9	20.0	24.875
10	22.5	27.375
11	25.0	29.875
12	27.5	32.375
13	30.0	34.875
14	32.5	37.375
15	35.0	39.875
16	37.5	42.375
17	40.0	44.875
18	42.5	47.375
19	45.0	49.875
20	47.5	52.375



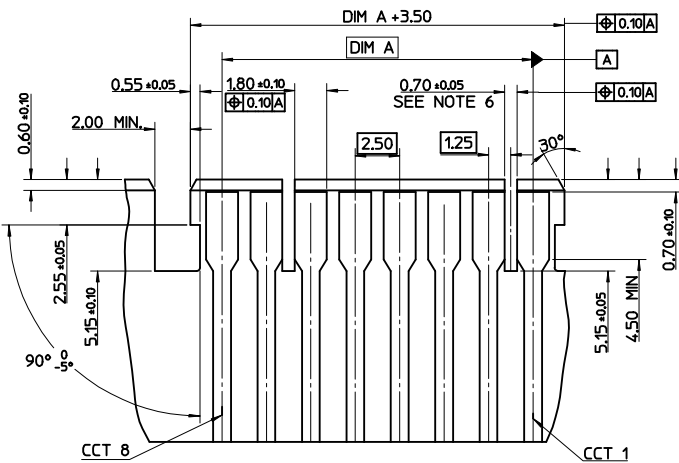
COLOR STRIPE TO BE WITHIN SHADED AREA (OPTIONAL) SEE NOTE 7.

NOTES:

- MATERIAL: HOUSING - NYLON PA6 COLOUR: NATURAL  
TERMINAL - COPPER ALLOY
- PLATING: TIN
- PRODUCT CONFORMS TO PRODUCT SPECIFICATION PS-92336-001
- APPLICATION SPECIFICATION AS-99033-0008
- SEE SUBSEQUENT SHEETS FOR PART NUMBERS
- POLARISING RIBS ARE RECOMMENDED WITH THIS PRODUCT. SEE CONFIGURATIONS ON FOLLOWING SHEETS FOR OPTIONAL POLARISING RIB POSITION(S) FOR EACH CCT SIZE. RECOMMENDED: 3CCT TO 6 CCT HAVE ONE POLARISING RIB  
7CCT TO 20 CCT HAS TWO POLARISING RIBS
- COLOR STRIPE IS OPTIONAL. AVAILABLE IN THE FOLLOWING COLORS: BLACK, RED, BLUE, GREEN
- NO CODING KEY 'a', AS LATCH REPLACES FIRST AND LAST CODING KEY.
- REFER TO PACKAGING SPECIFICATION: PK-90871-001
- THE POSITIONAL RIB SLOT CAN BE PLACED BETWEEN ANY TWO CIRCUITS TO SUIT MATING CONNECTOR. ABOVE SKETCH SHOWS A PARTICULAR EXAMPLE



SHIPPING ARRANGEMENT



EXAMPLE OF PCB LAYOUT FOR THIS CONNECTOR SHOWN ABOVE  
 - 8CCT WITH POLARISING RIB BETWEEN CCT 1&2 AND 6&7  
 - RECOMMENDED PCB THICKNESS: 1.50±0.14mm

REV	DESCRIPTION	QUALITY SYMBOLS	GENERAL TOLERANCES (UNLESS SPECIFIED)		DIMENSION STYLE		SCALE	DESIGN UNITS	THIRD ANGLE PROJECTION
			mm	INCH	MM ONLY	TITLE			
0		▽=0	4 PLACES ±---	±---	DRAWN BY	DATE	5:1	METRIC	
1		▽=0	3 PLACES ±0.10	±---	N. MCNAMA	2004/09/07			
			2 PLACES ±0.10	±---	CHECKED BY	DATE	2.5MM SIGNAL W/SIDE LATCHES (2.5 & 5MM TERM PITCH)		
			1 PLACE ±0.2	±---	JDENNEHY	2004/09/08			
			ANGULAR ± 2 °		APPROVED BY	DATE	MOLEX INCORPORATED		
			DRAFT WHERE APPLICABLE MUST REMAIN WITHIN DIMENSIONS		BMAGUIRE	2011/04/19			
			SEE SHEET 2-4		MATERIAL NO.	DOCUMENT NO.	SD-92339-001		
			THIS DRAWING CONTAINS INFORMATION THAT IS PROPRIETARY TO MOLEX INCORPORATED AND SHOULD NOT BE USED WITHOUT WRITTEN PERMISSION		SIZE	A2			

### 2 CIRCUIT

MOLEX PART NO.	HOUSING PART NO.	TERMINAL VOID POSITION	REMOVED POSITION KEYS	CONFIGURATION (SEE NOTE 1)	POLARIZING RIB BETWEEN	COLOUR STRIPE
92339-9001	92340-0103	CCT 2	a d		CCT 1&2	NONE
92339-9002	92340-0203	CCT 2	a d		CCT 2&3	NONE
92339-9003	92340-0003	CCT 2	a d		NONE	NONE
92339-9004	92340-0103	CCT 2	a c d		CCT 1&2	RED
92339-9005	92340-0103	CCT 2	a b d		CCT 1&2	GREEN
92339-9006	92340-0203	CCT 2	a c d		CCT 2&3	BLUE
92339-9007	92340-0203	CCT 2	a b d		CCT 2&3	BLACK
92339-9008	92340-0103	CCT 2	a c d		CCT 1&2	NONE
92339-9009	92340-0203	CCT 2	a c d		CCT 2&3	NONE
92339-9010	92340-0203	CCT 2	a b d		CCT 2&3	NONE
92339-9011	92340-0103	CCT 2	a b d		CCT 1&2	NONE
92339-9013	92340-0103	CCT 2	a c d		CCT 1&2	BLUE
92339-9014	92340-0203	CCT 2	a d		CCT 2&3	GREEN
92339-9015	92340-0003	CCT 2	a c d		NONE	RED
92339-9016	92340-0003	CCT 2	a b d		NONE	GREEN

### 3 CIRCUIT

MOLEX PART NO.	HOUSING PART NO.	TERMINAL VOID POSITION	REMOVED POSITION KEYS	CONFIGURATION (SEE NOTE 1)	POLARIZING RIB BETWEEN	COLOUR STRIPE
92339-0001	92340-0103	NONE	a d		CCT 1&2	NONE
92339-0002	92340-0003	NONE	a c d		NONE	NONE
92339-0003	92340-0203	NONE	a d		CCT 2&3	NONE
92339-0004	92340-0103	NONE	a c d		CCT 1&2	NONE
92339-0005	92340-0103	NONE	a b d		CCT 1&2	NONE
92339-0006	92340-0203	NONE	a d		CCT 2&3	BLACK
92339-0007	92340-0103	NONE	a d		CCT 1&2	RED
92339-0008	92340-0103	CCT 2	a d		CCT 1&2	GREEN

### 4 CIRCUIT

MOLEX PART NO.	HOUSING PART NO.	TERMINAL VOID POSITION	REMOVED POSITION KEYS	CONFIGURATION (SEE NOTE 1)	POLARIZING RIB BETWEEN	COLOUR STRIPE
92339-0501	92340-0104	NONE	a e		CCT 1&2	NONE
92339-0502	92340-0004	NONE	a e		NONE	NONE
92339-0503	92340-0004	CCT 3	a b e		NONE	RED
92339-0504	92340-0004	NONE	a d e		NONE	BLACK
92339-0505	92340-0004	NONE	a d e		NONE	NONE
92339-0506	92340-0004	CCT 3	a b e		NONE	NONE
92339-0507	92340-0104	NONE	a e		CCT 1&2	BLACK
92339-0508	92340-0004	NONE	a e		NONE	RED
92339-0509	92340-0104	NONE	a c e		CCT 1&2	NONE
92339-0510	92340-0304	NONE	a e		CCT 3&4	NONE
92339-0511	92340-0004	CCT 3	NONE		NONE	GREEN

### 5 CIRCUIT

MOLEX PART NO.	HOUSING PART NO.	TERMINAL VOID POSITION	REMOVED POSITION KEYS	CONFIGURATION (SEE NOTE 1)	POLARIZING RIB BETWEEN	COLOUR STRIPE
92339-1001	92340-0205	NONE	a f		CCT 2&3	NONE
92339-1002	92340-0105	NONE	a f		CCT 1&2	NONE
92339-1003	92340-0205	NONE	a f		CCT 2&3	BLACK
92339-1004	92340-0105	CCT 4	a f		CCT 1&2	GREEN
92339-1005	92340-0305	NONE	a f		CCT 3&4	RED
92339-1006	92340-0305	CCT 2	a f		CCT 3&4	BLUE

- NOTES**
- 1. + DENOTES TERMINAL VOIDED POSITION
  - ⊙ DENOTES TERMINAL LOADED POSITION
  - | DENOTES POLARIZING RIB POSITION

SEE SHEET 1 ELEC NO: IPC2014-186 G DRW: MCMONAHAN 2014/01/07 CHKD: APPR: STGRIFFIN 2014/01/30	QUALITY SYMBOLS ▽=0 ▽=0	GENERAL TOLERANCES (UNLESS SPECIFIED) mm    INCH 4 PLACES ± --- ± --- 3 PLACES ± 0.10 ± --- 2 PLACES ± 0.10 ± --- 1 PLACE ± 0.2 ± --- ANGULAR ± 2 °	DIMENSION STYLE MM ONLY DRAWN BY DATE N.MCNAME 2004/09/07 CHECKED BY DATE J.DENEHY 2004/09/08 APPROVED BY DATE BMAGUIRE 2011/04/19	SCALE 1:1 DESIGN UNITS METRIC THIRD ANGLE PROJECTION	2.5MM SIGNAL W/SIDE LATCHES (2.5 & 5MM TERM PITCH) MOLEX INCORPORATED SD-92339-001	SHEET NO. 2 OF 4
	DRAFT WHERE APPLICABLE MUST REMAIN WITHIN DIMENSIONS		SEE CHARTS		MATERIAL NO.    DOCUMENT NO.	
	THIS DRAWING CONTAINS INFORMATION THAT IS PROPRIETARY TO MOLEX INCORPORATED AND SHOULD NOT BE USED WITHOUT WRITTEN PERMISSION					

6 CIRCUIT						
MOLEX PART NO.	HOUSING PART NO.	TERMINAL VOID POSITION	REMOVED POSITION KEYS	CONFIGURATION (SEE NOTE 1)	POLARIZING RIB BETWEEN	COLOUR STRIPE
92339-1501	92340-0206	NONE	a g		CCT 2&3	NONE
92339-1502	92340-0506	NONE	a g		CCT 5&6	NONE
92339-1503	92340-0206	NONE	a g		CCT 2&3	BLACK
92339-1504	92340-0206	NONE	a g		CCT 2&3	BLUE
92339-1505	92340-0106	NONE	a g		CCT 1&2	NONE
92339-1506	92340-0406	NONE	a g		CCT 4&5	NONE
92339-1507	92340-0006	NONE	a g		NONE	NONE
92339-1508	92340-0406	CCT 3, 5	a g		CCT 4&5	GREEN
92339-1509	92340-0406	NONE	a g		CCT 4&5	RED

7 CIRCUIT						
MOLEX PART NO.	HOUSING PART NO.	TERMINAL VOID POSITION	REMOVED POSITION KEYS	CONFIGURATION (SEE NOTE 1)	POLARIZING RIB BETWEEN	COLOUR STRIPE
92339-2001	92340-2307	NONE	a h		CCT 1&2 & CCT 5&6	NONE
92339-2002	92340-0107	CCT 2	a h		CCT 1&2	NONE
92339-2003	92340-0207	NONE	a h		CCT 2&3	BLACK
92339-2004	92340-0507	NONE	a h		CCT 5&6	NONE
92339-2005	92340-0207	CCT 2&4	a h		CCT 2&3	NONE

8 CIRCUIT						
MOLEX PART NO.	HOUSING PART NO.	TERMINAL VOID POSITION	REMOVED POSITION KEYS	CONFIGURATION (SEE NOTE 1)	POLARIZING RIB BETWEEN	COLOUR STRIPE
92339-2501	92340-2408	NONE	a i		CCT 1&2 & CCT 6&7	NONE
92339-2502	92340-2408	CCT 2, 5	a i		CCT 1&2 & CCT 6&7	NONE
92339-2503	92340-2408	CCT 2	a i		CCT 1&2 & CCT 6&7	NONE
92339-2504	92340-0208	NONE	a i		CCT 2&3	NONE
92339-2505	92340-0208	CCT 2, 5	a i		CCT 2&3	NONE
92339-2506	92340-0108	NONE	a i		CCT 1&2	NONE
92339-2507	92340-0308	NONE	a i		CCT 3&4	NONE
92339-2508	92340-0308	NONE	a i		CCT 3&4	RED

**NOTES**

- 1 + DENOTES TERMINAL VOIDED POSITION
- ⊕ DENOTES TERMINAL LOADED POSITION
- ⊖ DENOTES POLARIZING RIB POSITION

SEE SHEET 1 EC NO: IPG2014-1186 DRAWN BY: DRWINCHONWAN CHECKED: APPR:STRIGRIFFIN DATE: 2014/01/30	QUALITY SYMBOLS	GENERAL TOLERANCES (UNLESS SPECIFIED)	DIMENSION STYLE	SCALE	DESIGN UNITS	THIRD ANGLE PROJECTION	
	$\nabla=0$ $\nabla=0$	mm    INCH 4 PLACES ± --- ± --- 3 PLACES ± 0.10 ± --- 2 PLACES ± 0.10 ± --- 1 PLACE ± 0.2 ± --- ANGULAR ± 2 °	M M ONLY	DRAWN BY: N.MCNAMA    DATE: 2004/09/07 CHECKED BY: JDENNEHY    DATE: 2004/09/08 APPROVED BY: BMAGUIRE    DATE: 2011/04/19	5:1	METRIC	TITLE: 2.5MM SIGNAL W/SIDE LATCHES (2.5 & 5MM TERM PITCH) MOLEX INCORPORATED
	DRAFT WHERE APPLICABLE MUST REMAIN WITHIN DIMENSIONS	SEE CHART	MATERIAL NO.	DOCUMENT NO.	SD-92339-001		SHEET NO. 3 OF 4
	THIS DRAWING CONTAINS INFORMATION THAT IS PROPRIETARY TO MOLEX INCORPORATED AND SHOULD NOT BE USED WITHOUT WRITTEN PERMISSION						

### 9 CIRCUIT

MOLEX PART NO.	HOUSING PART NO.	TERMINAL VOID POSITION	REMOVED POSITION KEYS	CONFIGURATION (SEE NOTE 1)	POLARIZING RIB BETWEEN	COLOUR STRIPE
92339-3001	92340-2509	NONE	a j		CCT 1&2 & CCT 7&8	NONE
92339-3426	92340-2509	CCT 2, 4, 6, 8	a j		CCT 1&2 & CCT 7&8	NONE
92339-3003	92340-0209	CCT 2	a j		CCT 2&3	GREEN
92339-3004	92340-0209	CCT 2, 4, 6	a j		CCT 2&3	BLACK
92339-3005 PART NUMBER OBSOLETE (NO GREY STRIPE AVAILABLE)						
92339-3006	92340-0209	None	a j		CCT 2&3	BLACK
92339-3007	92340-0209	CCT 3, 5, 7	a j		CCT 2&3	GREEN
92339-3008 PART NUMBER OBSOLETE (NO GREY STRIPE AVAILABLE)						
92339-3009	92340-0209	CCT 3, 5, 8	a j		CCT 2&3	GREEN
92339-3010	92340-0409	CCT 3, 5, 7	a j		CCT 4&5	RED

### 12 CIRCUIT

MOLEX PART NO.	HOUSING PART NO.	TERMINAL VOID POSITION	REMOVED POSITION KEYS	CONFIGURATION (SEE NOTE 1)	POLARIZING RIB BETWEEN	COLOUR STRIPE
92339-4501	92340-2812	NONE	a m		CCT 1&2 & CCT 10&11	NONE
92339-4502	92340-2812	CCT 2, 5, 8, 10	a m		CCT 1&2 & CCT 10&11	NONE
92339-4503	92340-0212	NONE	a m		CCT 2&3	NONE
92339-4504	92340-0212	CCT 2, 5, 8, 10	a m		CCT 2&3	NONE
92339-4505	92340-0212	NONE	a m		CCT 2&3	BLACK
92339-4506	92340-1112	NONE	a m		CCT 11&12	NONE

### 14 CIRCUIT

MOLEX PART NO.	HOUSING PART NO.	TERMINAL VOID POSITION	REMOVED POSITION KEYS	CONFIGURATION (SEE NOTE 1)	POLARIZING RIB BETWEEN	COLOUR STRIPE
92339-5501	92340-3014	NONE	a o		CCT 1&2 & CCT 12&13	NONE

### 15 CIRCUIT

MOLEX PART NO.	HOUSING PART NO.	TERMINAL VOID POSITION	REMOVED POSITION KEYS	CONFIGURATION (SEE NOTE 1)	POLARIZING RIB BETWEEN	COLOUR STRIPE
92339-6001	92340-3115	NONE	a p		CCT 1&2 & CCT 13&14	NONE
92339-6426	92340-3115	CCT 2, 4, 6, 8, 10, 12, 14	a p		CCT 1&2 & CCT 13&14	NONE

### 16 CIRCUIT

MOLEX PART NO.	HOUSING PART NO.	TERMINAL VOID POSITION	REMOVED POSITION KEYS	CONFIGURATION (SEE NOTE 1)	POLARIZING RIB BETWEEN	COLOUR STRIPE
92339-6501	92340-3216	NONE	a q		CCT 1&2 & CCT 14&15	NONE

### 17 CIRCUIT

MOLEX PART NO.	HOUSING PART NO.	TERMINAL VOID POSITION	REMOVED POSITION KEYS	CONFIGURATION (SEE NOTE 1)	POLARIZING RIB BETWEEN	COLOUR STRIPE
92339-7001	92340-3317	NONE	a r		CCT 1&2 & CCT 15&16	NONE
92339-7002	92340-6617	CCT 2, 4, 5, 6, 8, 10, 12, 14, 16,	a r		CCT 3&4 & CCT 15&16	NONE

### 13 CIRCUIT

MOLEX PART NO.	HOUSING PART NO.	TERMINAL VOID POSITION	REMOVED POSITION KEYS	CONFIGURATION (SEE NOTE 1)	POLARIZING RIB BETWEEN	COLOUR STRIPE
92339-5001	92340-2913	NONE	a n		CCT 1&2 & CCT 11&12	NONE

### 18 CIRCUIT

MOLEX PART NO.	HOUSING PART NO.	TERMINAL VOID POSITION	REMOVED POSITION KEYS	CONFIGURATION (SEE NOTE 1)	POLARIZING RIB BETWEEN	COLOUR STRIPE
92339-7501	92340-3418	NONE	a s		CCT 1&2 & CCT 16&17	NONE

### 10 CIRCUIT

MOLEX PART NO.	HOUSING PART NO.	TERMINAL VOID POSITION	REMOVED POSITION KEYS	CONFIGURATION (SEE NOTE 1)	POLARIZING RIB BETWEEN	COLOUR STRIPE
92339-3501	92340-2610	NONE	a k		CCT 1&2 & CCT 8&9	NONE
92339-3502	92340-0910	NONE	a k		CCT 9&10	RED
92339-3503	92340-0910	NONE	a k		CCT 9&10	NONE
92339-3504	92340-0210	NONE	a k		CCT 2&3	NONE
92339-3505	92340-0210	NONE	a k		CCT 2&3	BLACK

### 19 CIRCUIT

MOLEX PART NO.	HOUSING PART NO.	TERMINAL VOID POSITION	REMOVED POSITION KEYS	CONFIGURATION (SEE NOTE 1)	POLARIZING RIB BETWEEN	COLOUR STRIPE
92339-8001	92340-3519	NONE	a t		CCT 1&2 & CCT 17&18	NONE

### 20 CIRCUIT

MOLEX PART NO.	HOUSING PART NO.	TERMINAL VOID POSITION	REMOVED POSITION KEYS	CONFIGURATION (SEE NOTE 1)	POLARIZING RIB BETWEEN	COLOUR STRIPE
92339-8501	92340-3620	NONE	a u		CCT 1&2 & CCT 18&19	NONE

### 11 CIRCUIT

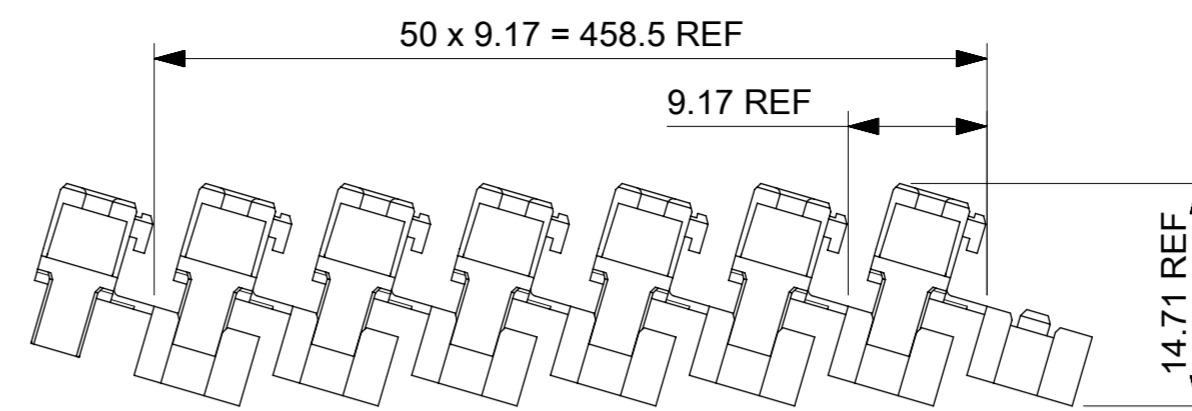
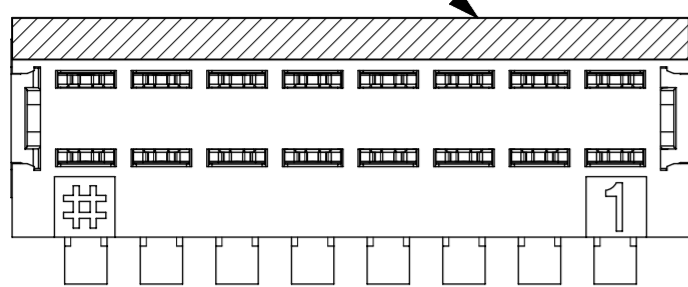
MOLEX PART NO.	HOUSING PART NO.	TERMINAL VOID POSITION	REMOVED POSITION KEYS	CONFIGURATION (SEE NOTE 1)	POLARIZING RIB BETWEEN	COLOUR STRIPE
92339-4001	92340-2711	NONE	a l		CCT 1&2 & CCT 9&10	NONE

- NOTES**
- + DENOTES TERMINAL VOIDED POSITION
  - ⊙ DENOTES TERMINAL LOADED POSITION
  - | DENOTES POLARIZING RIB POSITION

SEE SHEET 1 IEC NO: IFC2014-1186 G DRWINGKONWANH CHKD: APPR:STGRIFFIN REV	QUALITY SYMBOLS	▽=0 ▽=0	GENERAL TOLERANCES (UNLESS SPECIFIED) mm INCH 4 PLACES ± --- ± --- 3 PLACES ± 0.10 ± --- 2 PLACES ± 0.10 ± --- 1 PLACE ± 0.2 ± --- ANGULAR ± 2°	DIMENSION STYLE MM ONLY	SCALE 1:1	DESIGN UNITS METRIC	THIRD ANGLE PROJECTION
	DRAWN BY DATE N. MCNAMA 2004/09/07			TITLE 2.5MM SIGNAL W/SIDE LATCHES (2.5 & 5MM TERM PITCH)			
	CHECKED BY DATE J DENNEHY 2004/09/08			APPROVED BY DATE BMAGUIRE 2011/04/19			
	DRAFT WHERE APPLICABLE MUST REMAIN WITHIN DIMENSIONS			SEE CHARTS		MATERIAL NO. SD-92339-001 DOCUMENT NO. 4 OF 4	

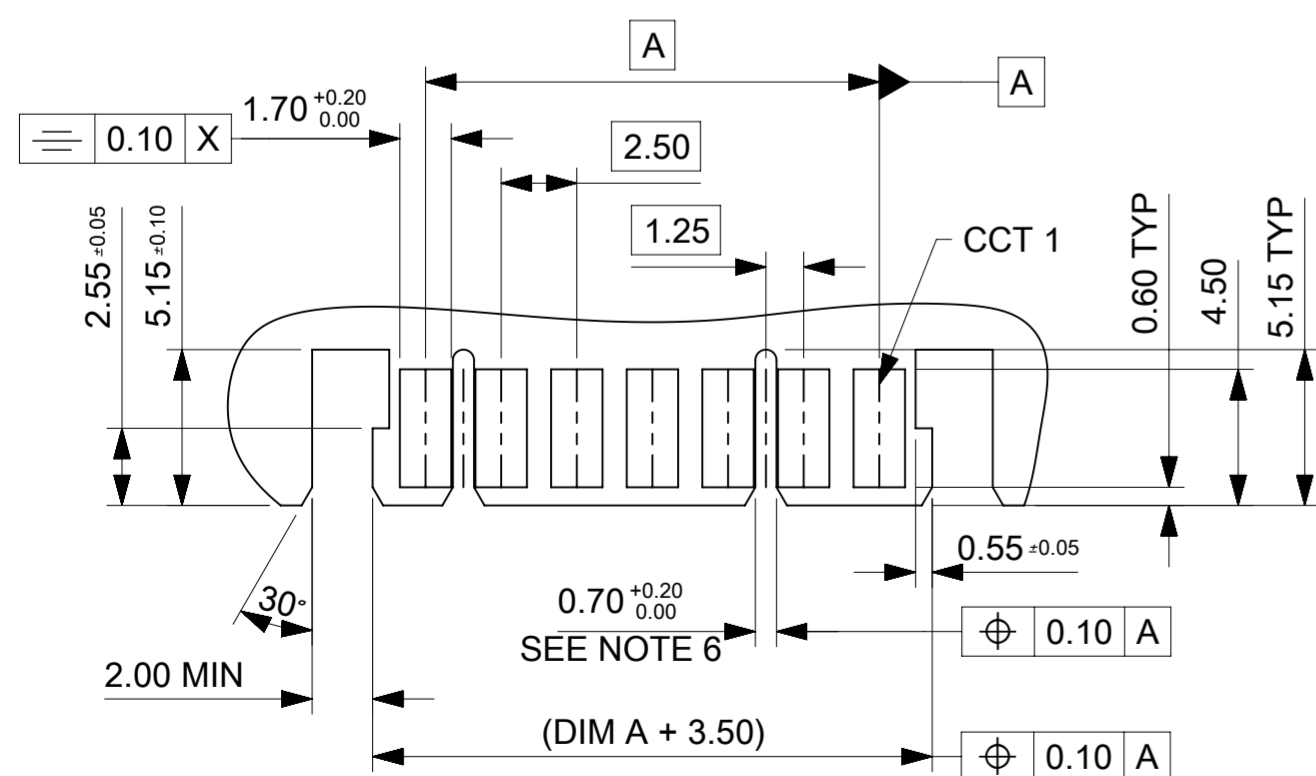
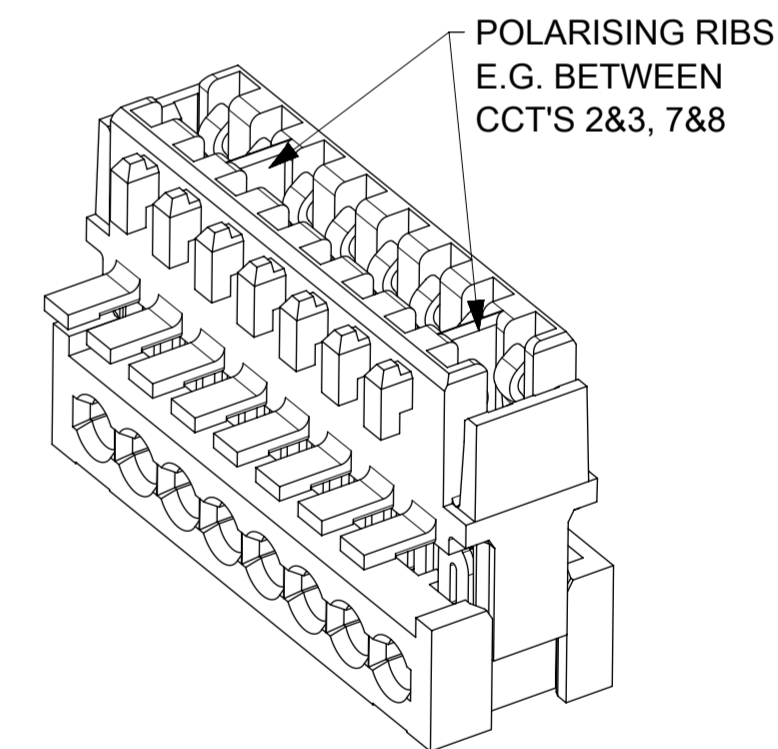
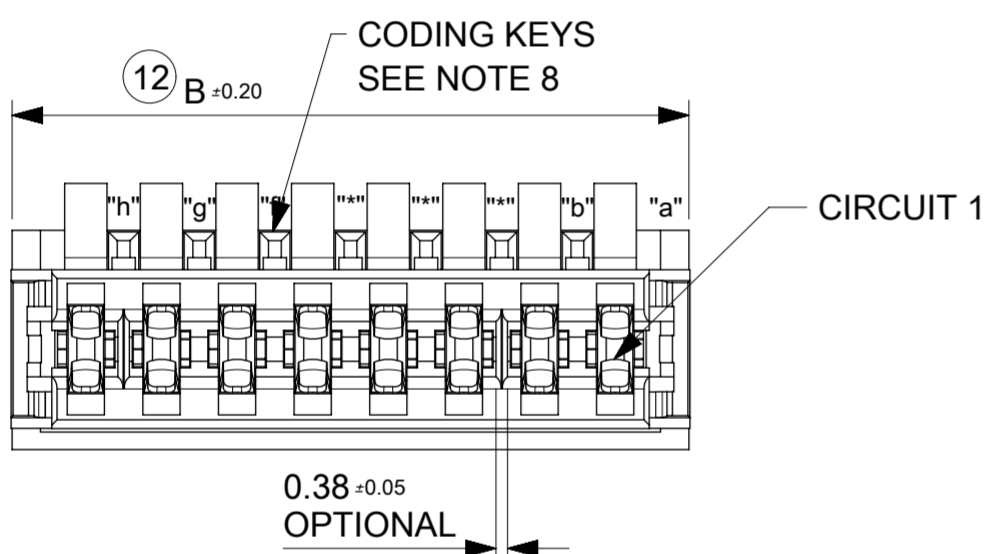
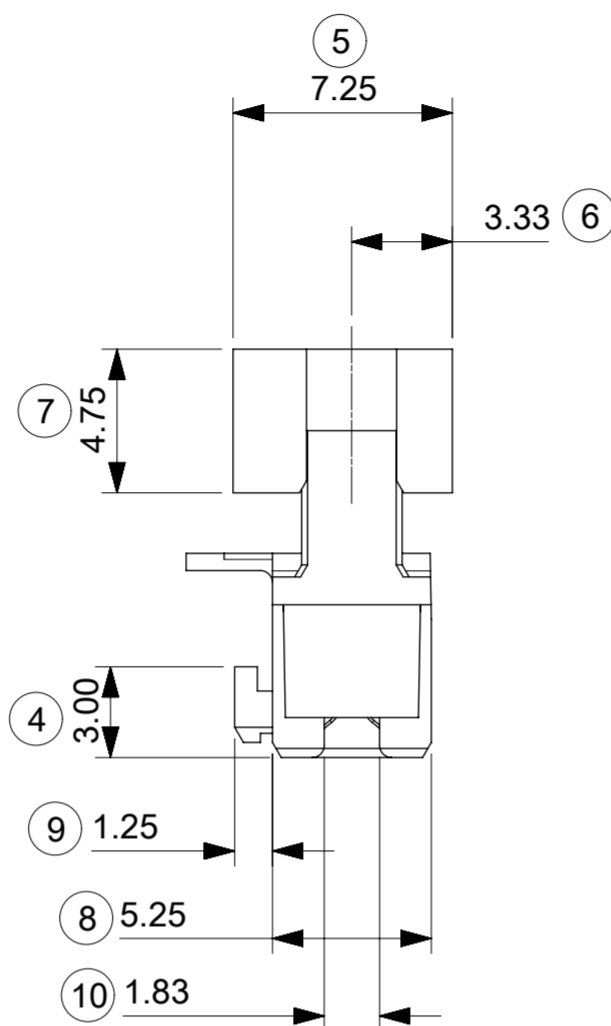
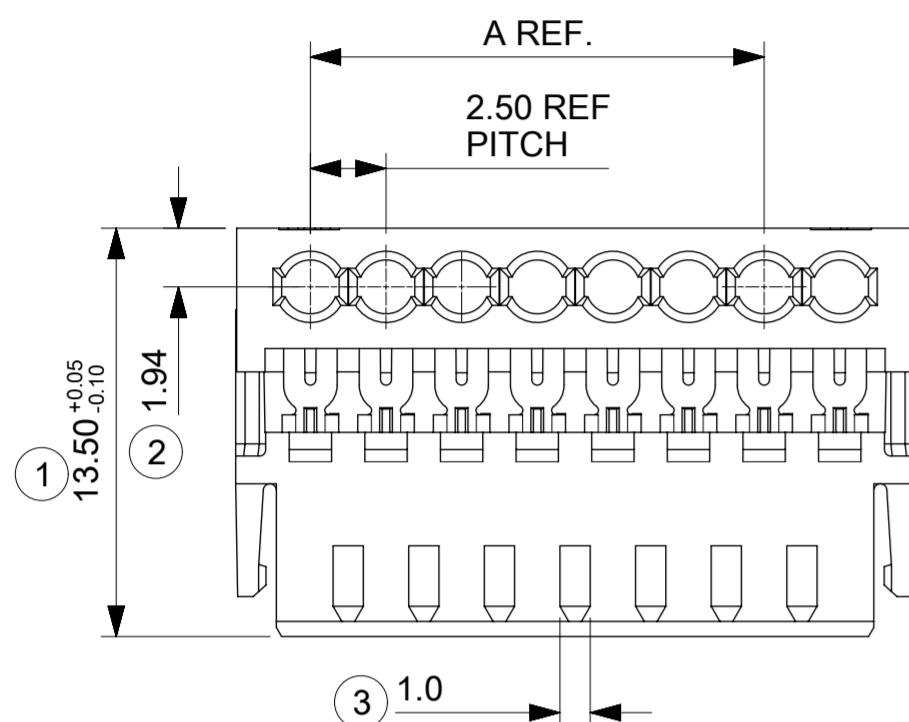
THIS DRAWING CONTAINS INFORMATION THAT IS PROPRIETARY TO MOLEX INCORPORATED AND SHOULD NOT BE USED WITHOUT WRITTEN PERMISSION

POSITION OF COLOUR STRIPE (see note 3)



SHIPPING ARRANGEMENT

CCT	A	B
3	5.0	9.875
4	7.5	12.375
5	10.0	14.875
6	12.5	17.375
7	15.0	19.875
8	17.5	22.375
9	20.0	24.875
10	22.5	27.375
11	25.0	29.875
12	27.5	32.375
13	30.0	34.875
14	32.5	37.375
15	35.0	39.875
16	37.5	42.375
17	40.0	44.875
18	42.5	47.375
19	45.0	49.875
20	47.5	52.375



EXAMPLE OF PCB LAYOUT FOR CONNECTOR SHOWN ABOVE  
 - 8CCT WITH POLARISING RIB BETWEEN CCT 1&2 AND 6&7  
 - RECCOMENDED PCB THICKNESS: 1.50±0.14mm

- NOTES:
1. MATERIAL: HOUSING - NYLON PA66 UL94-V0 COLOUR: NATURAL  
 TERMINAL - COPPER ALLOY
  2. PLATING: TIN
  3. PRODUCT CONFORMS TO PRODUCT SPECIFICATION PS-99020-0040
  4. APPLICATION SPECIFICATION AS-99033-0008
  5. SEE SUBSEQUENT SHEETS FOR PART NUMBERS
  6. POLARISING RIBS ARE RECOMMENDED WITH THIS PRODUCT. SEE CONFIGURATIONS ON FOLLOWING SHEETS FOR OPTIONAL POLARISING RIB POSITION(S) FOR EACH CCT SIZE. RECOMMENDED: 3CCT TO 6 CCT HAVE ONE POLARISING RIB  
 7CCT TO 20 CCT HAVE TWO POLARISING RIBS
  7. COLOR STRIPE IS OPTIONAL. AVAILABLE IN THE FOLLOWING COLORS: BLACK, RED, BLUE, GREEN
  8. NO CODING KEY "a", AS LATCH REPLACES FIRST AND LAST CODING KEY.
  9. REFER TO PACKAGING SPECIFICATION: PK-90871-001

THIS DRAWING CONTAINS INFORMATION THAT IS PROPRIETARY TO MOLEX ELECTRONIC TECHNOLOGIES, LLC AND SHOULD NOT BE USED WITHOUT WRITTEN PERMISSION

NX - RELEASE EC NO: 112721 DRWN: CFISHER01 CHKD: TCLEARY REV / APPR: BRUTTLE	2017/01/23	2017/02/22	2017/02/22	GENERAL TOLERANCES (UNLESS SPECIFIED)	DIMENSION UNITS	SCALE		
				ANGULAR TOL ± 0.5 °	MM			
				4 PLACES ±	DRWN BY	DATE		
				3 PLACES ± 0.1	CFISHER01	2016/08/05		
			2 PLACES ± 0.1	CHK'D BY	DATE	2.5MM APPLI-MATE W/SIDE LATCHES (2.5 & 5MM TERM PITCH) ADDITION OF PART NUMBERS 91780-2513 & 9178		
			1 PLACE ± 0.2	CMONAHAN	2016/09/22			
			0 PLACES ±	APPR BY	DATE	PRODUCT CUSTOMER DRAWING		
			DRAFT WHERE APPLICABLE MUST REMAIN WITHIN DIMENSIONS	BRUTTLE	2016/10/13			
D				DRAWING SIZE	THIRD ANGLE PROJECTION	SERIES	MATERIAL NUMBER	CUSTOMER
				A2		91780	SEE CHARTS	GENERAL MARKET
						DOCUMENT NUMBER	DOC TYPE	DOC PART SHEET NUMBER
						917800001	PSD	000 1 OF 5

2 CIRCUIT						
PART NUMBER	HOUSING USED	TERMINAL VOID POSITION	REMOVED POSITION KEYS	CONFIGURATION	POLARIZING RIB BETWEEN	COLOUR STRIPE
91780-9001	91792-0103	CCT 2	a d		1&2	NONE
91780-9002	91792-0203	CCT 2	a d		2&3	NONE
91780-9003	91792-0003	CCT 2	a d		NONE	NONE
91780-9004	91792-0103	CCT 2	a c d		1&2	RED
91780-9005	91792-0103	CCT 2	a b d		1&2	GREEN
91780-9006	91792-0203	CCT 2	a c d		2&3	BLUE
91780-9007	91792-0203	CCT 2	a b d		2&3	BLACK
91780-9008	91792-0103	CCT 2	a c d		1&2	NONE
91780-9009	91792-0203	CCT 2	a c d		2&3	NONE
91780-9010	91792-0203	CCT 2	a b d		2&3	NONE
91780-9011	91792-0103	CCT 2	a b d		1&2	NONE
91780-9012	91792-0103	CCT 2	a d		1&2	RED
91780-9013	91792-0103	CCT 2	a c d		1&2	BLUE
91780-9014	91792-0203	CCT 2	a d		2&3	GREEN
91780-9015	91792-0103	CCT 2	a d		1&2	GREEN
91780-9016	91792-0003	CCT 2	a c d		NONE	RED
91780-9017	91792-0003	CCT 2	a b d		NONE	GREEN

3 CIRCUIT						
PART NUMBER	HOUSING USED	TERMINAL VOID POSITION	REMOVED POSITION KEYS	CONFIGURATION	POLARIZING RIB BETWEEN	COLOUR STRIPE
91780-0001	91792-0103	NONE	a d		1&2	NONE
91780-0002	91792-0003	NONE	a c d		NONE	NONE
91780-0003	91792-0203	NONE	a d		2&3	NONE
91780-0004	91792-0103	NONE	a c d		1&2	NONE
91780-0005	91792-0103	NONE	a b d		1&2	NONE
91780-0006	91792-0203	NONE	a d		2&3	BLACK
91780-0007	91792-0103	NONE	a d		1&2	RED
91780-0009	91792-0103	NONE	a c d		1&2	BLUE
91780-0010	91792-0103	NONE	a b d		1&2	BLACK

4 CIRCUIT						
PART NUMBER	HOUSING USED	TERMINAL VOID POSITION	REMOVED POSITION KEYS	CONFIGURATION	POLARIZING RIB BETWEEN	COLOUR STRIPE
91780-0501	91792-0104	NONE	a e		1&2	NONE
91780-0502	91792-0004	NONE	a e		NONE	NONE
91780-0503	91792-0004	CCT 3	a b e		NONE	RED
91780-0504	91792-0004	NONE	a d e		NONE	BLACK
91780-0505	91792-0004	NONE	a d e		NONE	NONE
91780-0506	91792-0004	CCT 3	a b e		NONE	NONE
91780-0507	91792-0104	NONE	a e		1&2	BLACK
91780-0508	91792-0004	NONE	a e		NONE	RED
91780-0509	91792-0104	NONE	a c e		1&2	NONE
91780-0510	91792-0304	NONE	a e		3&4	NONE
91780-0511	91792-0104	CCT 1	a c e		1&2	NONE
91780-0512	91792-0204	NONE	a e		2&3	BLACK

NOTES

- + DENOTES TERMINAL VOIDED POSITION  
⊕ DENOTES TERMINAL LOADED POSITION  
| DENOTES POLARIZING RIB POSITION
- MOLEX HOUSING NO. FOR REFERENCE ONLY

THIS DRAWING CONTAINS INFORMATION THAT IS PROPRIETARY TO MOLEX ELECTRONIC TECHNOLOGIES, LLC AND SHOULD NOT BE USED WITHOUT WRITTEN PERMISSION

NX - RELEASE EC NO: 112721 DRWN: CFISHER01 CHKD: TCLEARY REV: APPR: BRUTTLE	2017/01/23	2017/02/22	2017/02/22	GENERAL TOLERANCES (UNLESS SPECIFIED)	DIMENSION UNITS	SCALE	
				ANGULAR TOL ± 0.5 °	MM		
				4 PLACES ±	DRWN BY	DATE	
				3 PLACES ± 0.1	CFISHER01	2016/08/05	
			2 PLACES ± 0.1	CHK'D BY	DATE	<b>2.5MM APPLI-MATE</b> W/SIDE LATCHES (2.5 & 5MM TERM PITCH) <b>ADDITION OF PART NUMBERS 91780-2513 &amp; 9178</b>	
			1 PLACE ± 0.2	CMONAHAN	2016/09/22		
			0 PLACES ±	APPR BY	DATE		
			DRAFT WHERE APPLICABLE MUST REMAIN WITHIN DIMENSIONS	BRUTTLE	2016/10/13		
DRAWING SIZE		THIRD ANGLE PROJECTION		SERIES		MATERIAL NUMBER	CUSTOMER
A2				91780		SEE CHARTS	GENERAL MARKET
DOCUMENT NUMBER				DOC TYPE	DOC PART	SHEET NUMBER	
917800001				PSD	000	2 OF 5	

5 CIRCUIT						
PART NUMBER	HOUSING USED	TERMINAL VOID POSITION	REMOVED POSITION KEYS	CONFIGURATION	POLARIZING RIB BETWEEN	COLOUR STRIPE
91780-1001	91792-0205	NONE	a f		2&3	NONE
91780-1002	91792-0105	NONE	a f		1&2	NONE
91780-1003	91792-0205	NONE	a f		2&3	BLACK
91780-1004	91792-0105	CCT 4	a f		1&2	GREEN
91780-1005	91792-0305	NONE	a f		3&4	RED
91780-1006	91792-0305	CCT 2	a f		3&4	BLUE
91780-1007	91792-0005	NONE	a f		NONE	NONE
91780-1008	91792-0105	CCT 3	a f		1&2	NONE
91780-1009	91792-0205	CCT 1	a f		2&3	NONE
91780-1010	91792-0405	CCT 1,2	a f		4&5	NONE
91780-1011	91792-0205	CCT 1,3,5	a f		2&3	RED
91780-1012	91792-0205	CCT5	a f		2&3	NONE
91780-1013	91792-0405	NONE	a b c d e f		4&5	NONE
91780-1014	91792-0005	NONE	a c d f		NONE	NONE
91780-1015	91792-0305	NONE	a f		3&4	NONE
91780-1016	91792-0005	NONE	a c d e f		NONE	NONE

6 CIRCUIT						
PART NUMBER	HOUSING USED	TERMINAL VOID POSITION	REMOVED POSITION KEYS	CONFIGURATION	POLARIZING RIB BETWEEN	COLOUR STRIPE
91780-1501	91792-0206	NONE	a g		2&3	NONE
91780-1502	91792-0506	NONE	a g		5&6	NONE
91780-1503	91792-0206	NONE	a g		2&3	BLACK
91780-1504	91792-0206	NONE	a g		2&3	BLUE
91780-1505	91792-0106	NONE	a g		1&2	NONE
91780-1506	91792-0406	NONE	a g		4&5	NONE
91780-1507	91792-0006	NONE	a g		NONE	NONE
91780-1508	91792-0406	CCT 3,5	a g		4&5	GREEN
91780-1509	91792-0406	NONE	a g		4&5	RED
91780-1510	91792-0206	CCT 2,5	a g		2&3	BLACK
91780-1511	91792-0306	NONE	a g		3&4	NONE
91780-1512	91792-0406	CCT 2,4	a g		4&5	GREEN
91780-1513	91792-0206	CCT 2,4	a g		2&3	BLUE
91780-1514	91792-0206	CCT 2,5	a g		2&3	NONE
91780-1515	91792-0206	CCT 2,4	a g		2&3	NONE

NOTES

- + DENOTES TERMINAL VOIDED POSITION
- ⊕ DENOTES TERMINAL LOADED POSITION
- | DENOTES POLARIZING RIB POSITION
- MOLEX HOUSING NO. FOR REFERENCE ONLY

THIS DRAWING CONTAINS INFORMATION THAT IS PROPRIETARY TO MOLEX ELECTRONIC TECHNOLOGIES, LLC AND SHOULD NOT BE USED WITHOUT WRITTEN PERMISSION

NX - RELEASE EC NO: 112721 2017/01/23 DRWN: CFISHER01 CHKD: TCLEARY 2017/02/22	GENERAL TOLERANCES (UNLESS SPECIFIED)	DIMENSION UNITS	SCALE	<b>molex</b>		
	ANGULAR TOL ± 0.5 °	MM				
	4 PLACES ±	DRWN BY	DATE			
	3 PLACES ± 0.1	CFISHER01	2016/08/05			
2 PLACES ± 0.1	CHK'D BY	DATE	2.5MM APPLI-MATE W/SIDE LATCHES (2.5 & 5MM TERM PITCH) ADDITION OF PART NUMBERS 91780-2513 & 9178			
1 PLACE ± 0.2	CMONAHAN	2016/09/22				
0 PLACES ±	APPR BY	DATE				
DRAFT WHERE APPLICABLE MUST REMAIN WITHIN DIMENSIONS	BRUTTLE	2016/10/13				
DRAWING SIZE	THIRD ANGLE PROJECTION	PRODUCT CUSTOMER DRAWING		SERIES	MATERIAL NUMBER	CUSTOMER
A2		91780	SEE CHARTS	91780	SEE CHARTS	GENERAL MARKET
DOCUMENT NUMBER		DOC TYPE	DOC PART	SHEET NUMBER		
917800001		PSD	000	3 OF 5		

7 CIRCUIT						
PART NUMBER	HOUSING USED	TERMINAL VOID POSITION	REMOVED POSITION KEYS	CONFIGURATION	POLARIZING RIB BETWEEN	COLOUR STRIPE
91780-2001	91792-2307	NONE	a h		1&2 5&6	NONE
91780-2002	91792-0107	CCT 2	a h		1&2	NONE
91780-2003	91792-0207	NONE	a h		2&3	BLACK
91780-2004	91792-0507	NONE	a h		5&6	NONE
91780-2005	91792-0207	CCT 2,4	a h		2&3	BLUE
91780-2006	91792-0007	NONE	a h		NONE	NONE
91780-2007	91792-0007	CCT 2,4,6	a h		NONE	NONE
91780-2008	91792-0207	CCT 2,4,6	a h		2&3	BLUE

8 CIRCUIT						
PART NUMBER	HOUSING USED	TERMINAL VOID POSITION	REMOVED POSITION KEYS	CONFIGURATION	POLARIZING RIB BETWEEN	COLOUR STRIPE
91780-2501	91792-2408	NONE	a i		1&2 6&7	NONE
91780-2502	91792-2408	CCT 2,5	a i		1&2 6&7	NONE
91780-2503	91792-2408	CCT 2	a i		1&2 6&7	NONE
91780-2504	91792-0208	NONE	a i		2&3	NONE
91780-2505	91792-0208	CCT 2,5	a i		2&3	NONE
91780-2506	91792-0108	NONE	a i		1&2	NONE
91780-2507	91792-0308	NONE	a i		3&4	NONE
91780-2508	91792-0308	NONE	a i		3&4	RED
91780-2509	91792-0208	CCT 2,4,5,6	a i		2&3	NONE
91780-2510	91792-0208	CCT 2,5	a i		2&3	BLUE
91780-2511	91792-0008	NONE	a i		NONE	NONE
91780-2512	91792-0208	CCT 2, 3	a i		2&3	NONE
91780-2513	91792-0508	NONE	a i		CCT 5,6	NONE

- NOTES
- + DENOTES TERMINAL VOIDED POSITION  
⊕ DENOTES TERMINAL LOADED POSITION  
| DENOTES POLARIZING RIB POSITION
  - MOLEX HOUSING NO. FOR REFERENCE ONLY

9 CIRCUIT						
PART NUMBER	HOUSING USED	TERMINAL VOID POSITION	REMOVED POSITION KEYS	CONFIGURATION	POLARIZING RIB BETWEEN	COLOUR STRIPE
91780-3001	91792-2509	NONE	a j		1&2 7&8	NONE
91780-3426	91792-2509	CCT 2 4 6 8	a j		1&2 7&8	NONE
91780-3003	91792-0209	CCT 2	a j		2&3	GREEN
91780-3004	91792-0209	CCT 2,4,6	a j		2&3	BLACK
91780-3005	91792-0309	CCT 2,5,7	a j		3&4	GREY
91780-3006	91792-0209	CCT 3,5,8	a j		2&3	GREEN
91780-3007	91792-0409	CCT 3,5,7	a j		4&5	RED
91780-3008	91792-0209	NONE	a j		2&3	BLACK
91780-3009	91792-0209	NONE	a j		2&3	NONE

THIS DRAWING CONTAINS INFORMATION THAT IS PROPRIETARY TO MOLEX ELECTRONIC TECHNOLOGIES, LLC AND SHOULD NOT BE USED WITHOUT WRITTEN PERMISSION

NX - RELEASE EC NO: 112721 DRWN: CFISHER01 CHKD: TCLEARY REV / APPR: BRUTTLE	2017/01/23	2017/02/22	2017/02/22	GENERAL TOLERANCES (UNLESS SPECIFIED)	DIMENSION UNITS	SCALE		
				ANGULAR TOL ± 0.5 °	MM			
				4 PLACES ±	DRWN BY	DATE		2.5MM APPLI-MATE W/SIDE LATCHES (2.5 & 5MM TERM PITCH) ADDITION OF PART NUMBERS 91780-2513 & 9178
				3 PLACES ± 0.1	CFISHER01	2016/08/05		
			2 PLACES ± 0.1	CHK'D BY	DATE	PRODUCT CUSTOMER DRAWING		
			1 PLACE ± 0.2	CMONAHAN	2016/09/22	SERIES		
			0 PLACES ±	APPR BY	DATE	MATERIAL NUMBER		
				BRUTTLE	2016/10/13	CUSTOMER		
				DRAFT WHERE APPLICABLE MUST REMAIN WITHIN DIMENSIONS	DRAWING SIZE	THIRD ANGLE PROJECTION	91780	
				A2		SEE CHARTS	GENERAL MARKET	
						DOCUMENT NUMBER	917800001	
						DOC TYPE	PSD	
						DOC PART	000	
						SHEET NUMBER	4 OF 5	



10 CIRCUIT						
PART NUMBER	HOUSING USED	TERMINAL VOID POSITION	REMOVED POSITION KEYS	CONFIGURATION	POLARIZING RIB BETWEEN	COLOUR STRIPE
91780-3501	91792-2610	NONE	a k		1&2 8&9	NONE
91780-3502	91792-0910	NONE	a k		9&10	RED
91780-3503	91792-0910	NONE	a k		9&10	NONE
91780-3504	91792-0210	NONE	a k		2&3	NONE
91780-3505	91792-0210	NONE	a k		2&3	BLACK
91780-3506	91792-0010	NONE	a k		NONE	NONE

11 CIRCUIT						
PART NUMBER	HOUSING USED	TERMINAL VOID POSITION	REMOVED POSITION KEYS	CONFIGURATION	POLARIZING RIB BETWEEN	COLOUR STRIPE
91780-4001	91792-2711	NONE	a l		1&2 9&10	NONE
91780-4002	91792-0411	NONE	a l		4&5	NONE
91780-4003	91792-0211	NONE	a l		2&3	NONE
91780-4004	91792-0211	CCT 6, 7	a l		2&3	NONE

12 CIRCUIT						
PART NUMBER	HOUSING USED	TERMINAL VOID POSITION	REMOVED POSITION KEYS	CONFIGURATION	POLARIZING RIB BETWEEN	COLOUR STRIPE
91780-4501	91792-2812	NONE	a m		1&2 10&11	NONE
91780-4502	91792-2812	CCT 2 5 8 10	a m		1&2 10&11	NONE
91780-4503	91792-0212	NONE	a m		2&3	NONE
91780-4504	91792-0212	CCT 2 5 8 10	a m		2&3	NONE
91780-4505	91792-0212	NONE	a m		2&3	BLACK
91780-4506	91792-1112	NONE	a m		11&12	NONE
91780-4507	91792-0012	NONE	a m		NONE	NONE

13 CIRCUIT						
PART NUMBER	HOUSING USED	TERMINAL VOID POSITION	REMOVED POSITION KEYS	CONFIGURATION	POLARIZING RIB BETWEEN	COLOUR STRIPE
91780-5001	91792-2913	NONE	a n		1&2 11&12	NONE
91780-5002	91792-0213	NONE	a n		2&3	NONE

14 CIRCUIT						
PART NUMBER	HOUSING USED	TERMINAL VOID POSITION	REMOVED POSITION KEYS	CONFIGURATION	POLARIZING RIB BETWEEN	COLOUR STRIPE
91780-5501	91792-3014	NONE	a o		1&2 12&13	NONE

15 CIRCUIT						
PART NUMBER	HOUSING USED	TERMINAL VOID POSITION	REMOVED POSITION KEYS	CONFIGURATION	POLARIZING RIB BETWEEN	COLOUR STRIPE
91780-6001	91792-3115	NONE	a p		1&2 13&14	NONE
91780-6426	91792-3115	CCT 2,4,6,8,10,12,14	a p		1&2 13&14	NONE

16 CIRCUIT						
PART NUMBER	HOUSING USED	TERMINAL VOID POSITION	REMOVED POSITION KEYS	CONFIGURATION	POLARIZING RIB BETWEEN	COLOUR STRIPE
91780-6501	91792-3216	NONE	a q		1&2 14&15	NONE

17 CIRCUIT						
PART NUMBER	HOUSING USED	TERMINAL VOID POSITION	REMOVED POSITION KEYS	CONFIGURATION	POLARIZING RIB BETWEEN	COLOUR STRIPE
91780-7001	91792-3317	NONE	a r		1&2 15&16	NONE
91780-7002	91792-6617	CCT 2,4,5,6,8,10,12,14,16	a r		3&4 15&16	NONE

18 CIRCUIT						
PART NUMBER	HOUSING USED	TERMINAL VOID POSITION	REMOVED POSITION KEYS	CONFIGURATION	POLARIZING RIB BETWEEN	COLOUR STRIPE
91780-7501	91792-3418	NONE	a s		1&2 16&17	NONE

19 CIRCUIT						
PART NUMBER	HOUSING USED	TERMINAL VOID POSITION	REMOVED POSITION KEYS	CONFIGURATION	POLARIZING RIB BETWEEN	COLOUR STRIPE
91780-8001	91792-3519	NONE	a t		1&2 17&18	NONE

20 CIRCUIT						
PART NUMBER	HOUSING USED	TERMINAL VOID POSITION	REMOVED POSITION KEYS	CONFIGURATION	POLARIZING RIB BETWEEN	COLOUR STRIPE
91780-8501	91792-3620	NONE	a u		1&2 18&19	NONE

NOTES

- + DENOTES TERMINAL VOIDED POSITION
  - ⊕ DENOTES TERMINAL LOADED POSITION
  - | DENOTES POLARIZING RIB POSITION
2. MOLEX HOUSING NO. FOR REFERENCE ONLY

THIS DRAWING CONTAINS INFORMATION THAT IS PROPRIETARY TO MOLEX ELECTRONIC TECHNOLOGIES, LLC AND SHOULD NOT BE USED WITHOUT WRITTEN PERMISSION

NX - RELEASE EC NO: 112721 DRWN: CFISHER01 CHKD: TCLEARY REV: APPR: BRUTTLE	2017/01/23	2017/02/22	2017/02/22	GENERAL TOLERANCES (UNLESS SPECIFIED)	DIMENSION UNITS	SCALE		
				ANGULAR TOL ± 0.5 °	MM			
				4 PLACES ±	DRWN BY	DATE		CFISHER01 2016/08/05
				3 PLACES ± 0.1	CHK'D BY	DATE		CMONAHAN 2016/09/22
			2 PLACES ± 0.1	APPR BY	DATE	BRUTTLE 2016/10/13	PRODUCT CUSTOMER DRAWING 2.5MM APPLI-MATE W/SIDE LATCHES (2.5 & 5MM TERM PITCH) ADDITION OF PART NUMBERS 91780-2513 & 9178	
			1 PLACE ± 0.2	SERIES	MATERIAL NUMBER	CUSTOMER		
			0 PLACES ±	91780	SEE CHARTS	GENERAL MARKET		
			DRAFT WHERE APPLICABLE MUST REMAIN WITHIN DIMENSIONS	DRAWING SIZE	THIRD ANGLE PROJECTION	DOCUMENT NUMBER	917800001	
				A2		DOC TYPE	PSD	
						DOC PART	000	
						SHEET NUMBER	5 OF 5	