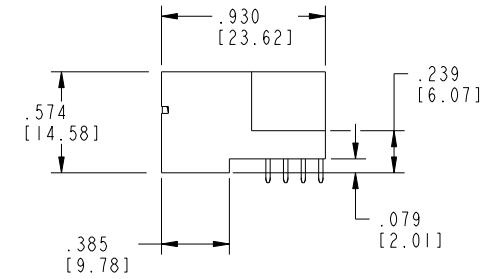
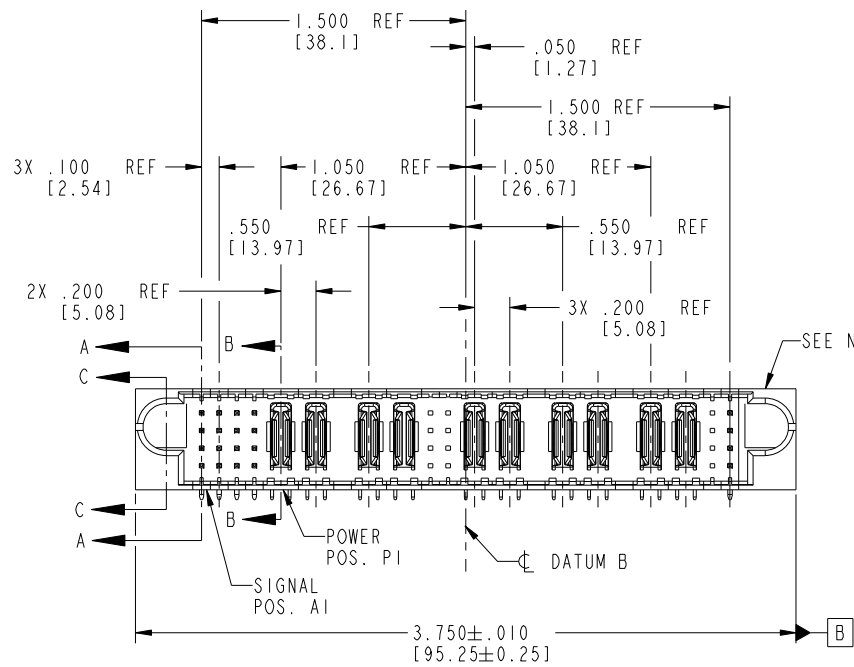


Tous droits strictement reserves. Reproduction ou communication a des tiers interdite sous quelque forme que ce soit sans autorisation écrite du propriétaire.
 Propriete de c FCI. Droits de reproduction FCI.



All rights strictly reserved. Reproduction or issue to third parties in any form whatever is not permitted without written authority from the proprietor.
 Property of FCI. Copyright FCI.

PRODUCT NO.	ROWS	SIG				POWER				SIG				POWER				SIG			
		E1	1	2	3	4	P1	P2	P3	P4	5	6	P5	P6	P7	P8	P9	P10	7	8	E2
51939-005	D C B A	U	U	U	U	PA	PA	PA	PA	X	X	PA	PA	PA	PA	PA	PA	X	X	X	X
NOTE: ③		T	T	T	T					X	X							X	X	X	X
		R	R	R	R					X	X							X	X	X	X
		S	S	S	S					X	X							X	X	X	X



CODE	DIM "M" MATING LENGTH	CONTACT TYPE
H	.220 [5.59]	SIGNAL
R	.270 [6.86]	SIGNAL
S	.270 [6.86]	SIGNAL
T	.270 [6.86]	SIGNAL
U	.270 [6.86]	SIGNAL
PA	N/A [N/A]	POWER
X	OMITTED	OMITTED

mat'l code				SEE NOTE 2		tolerances unless otherwise specified		CUSTOMER		FCI	
ltr	ecn no.	dr	date	linear	.XX±.01/0.X±0.3	projection		COPY		www.fciconnect.com	
H	DG05-0258	SJ	07/29/05		.XXX±.005/0.XX±0.13	INCH/MM		title		16S + 4P + 8S + 6P + 8S	
J	DG06-0008	JMG	01/07/06	angles	.XXX±.0020/0.XXX±0.051	scale		RIGHT ANGLE SPECIAL HEADER		product family	
K	DG08-0273	WD	12/22/08		0°±2°	1:1		PwrBlade		code	
				dr	D. INGRAM	01/08/02		size		213	
				enr	J. ALLISON	01/08/02		dwg no		sheet	
				chr	J. ALLISON	01/08/02		A		51939-005	
				appd	J. ALLISON	01/08/02		1 of 4			
sheet index	revision sheet	K	K	K	K			cage code		22526	
		1	2	3	4						

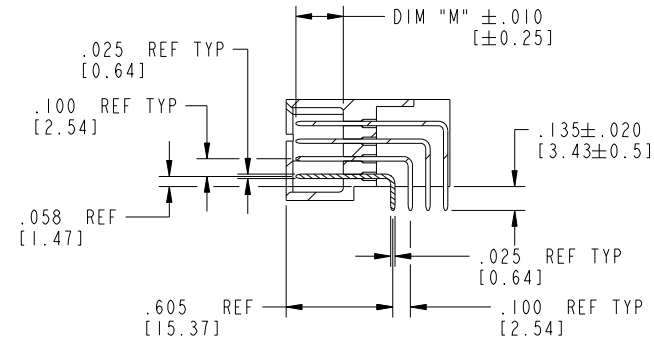
Pro/E cage code 22526

Tous droits strictement reserves. Reproduction ou communication a des tiers interdite sous quelque forme que ce soit sans autorisation écrite du propriétaire. Propriete de c FCI. Droits de reproduction FCI.

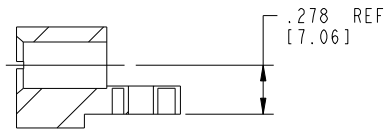


All rights strictly reserved. Reproduction or issue to third parties in any form whatsoever is not permitted without written authority from the proprietor. Property of FCI. Copyright FCI.

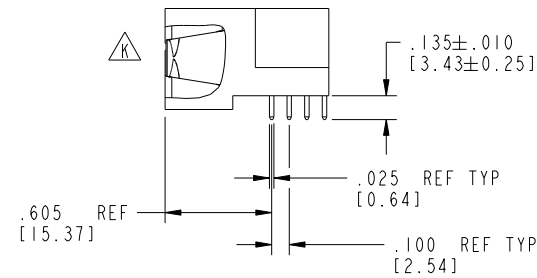
PRODUCT NUMBER
51939-005_--
NOTE: ③



SECTION A-A



SECTION C-C



SECTION B-B

mat'l code				SEE NOTE 2		tolerances unless otherwise specified		CUSTOMER		 www.fciconnect.com	
ltr	ecn no.	dr	date	linear	.XX±.01/0.X±0.3		COPY		title 6S + 4P + 8S + 6P + 8S RIGHT ANGLE SPECIAL HEADER		
K					.XXX±.005/0.XX±0.13		projection				
				angles	.XXX±.0020/0.XXX±0.051		 INCH/MM		product family PwrBlade code 213		
					0°±2°		scale		size dwg no 2 of 4		
				dr	D. INGRAM	01/08/02	1:1		sheet 2 of 4		
				enr	J. ALLISON	01/08/02					
				chr	J. ALLISON	01/08/02					
				appd	J. ALLISON	01/08/02					
sheet index	revision sheet										

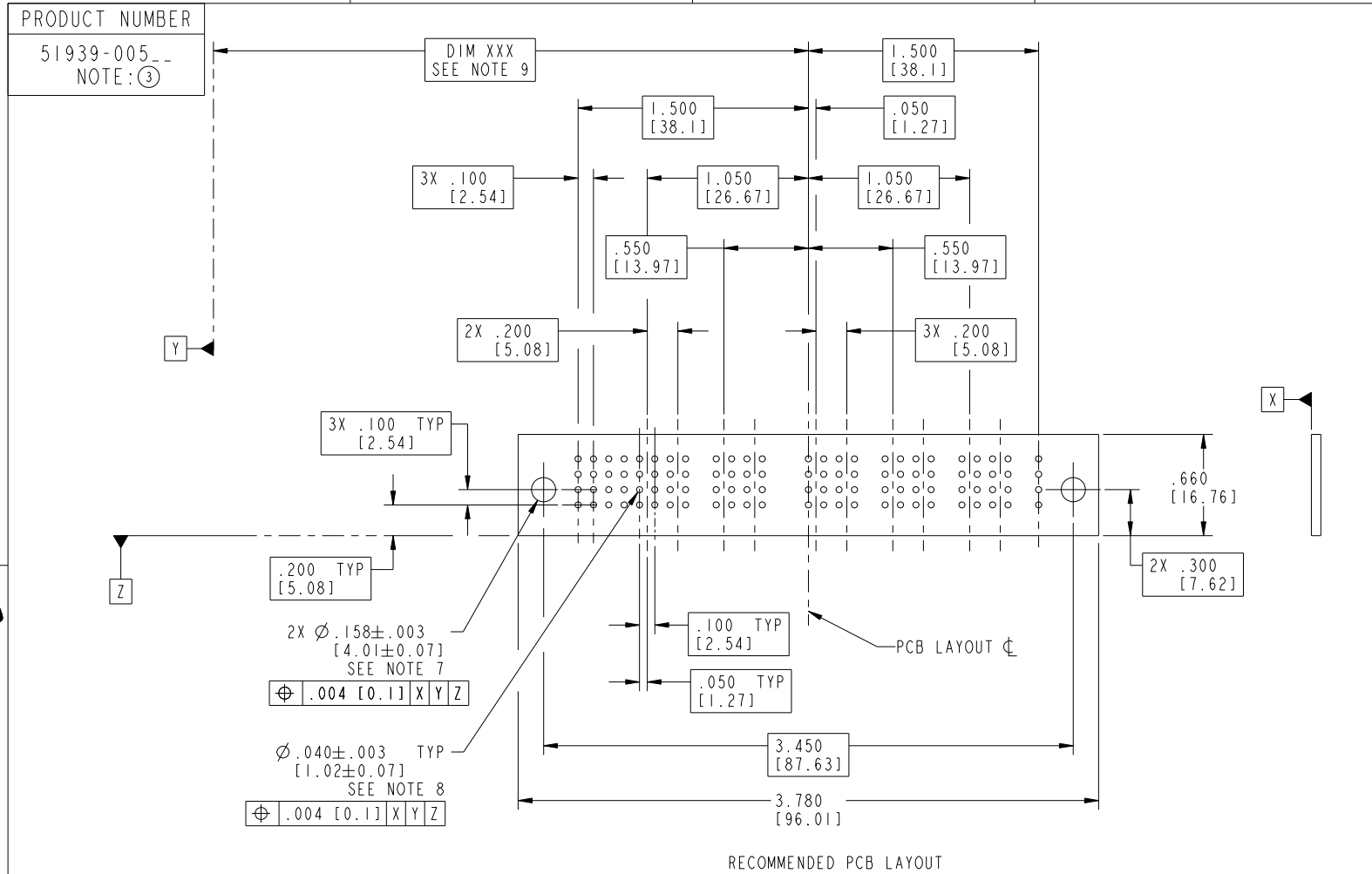
cage code 22526

Pro/E

Tous droits strictement réservés. Reproduction ou communication à des tiers interdite sous quelque forme que ce soit sans autorisation écrite du propriétaire. Propriété de c FCI. Droits de reproduction FCI.



All rights strictly reserved. Reproduction or issue to third parties in any form whatsoever is not permitted without written authority from the proprietor. Property of FCI. Copyright FCI.



RECOMMENDED PCB LAYOUT

mat'l code		SEE NOTE 2		tolerances unless otherwise specified		CUSTOMER		 www.fciconnect.com	
ltr	ecn no.	dr	date	linear	.XX±.01/0.X±0.3		COPY		title 6S + 4P + 8S + 6P + 8S RIGHT ANGLE SPECIAL HEADER
K					.XXX±.005/0.XX±0.13		projection		
				angles	.XXX±.0020/0.XXX±0.051		 INCH/MM		scale 1:1
				dr	0°+2°				
				enr	D. INGRAM 01/08/02				sheet index revision sheet
				chr	J. ALLISON 01/08/02				
				appd	J. ALLISON 01/08/02				3

Tous droits strictement reserves. Reproduction ou communication a des tiers interdite sous quelque forme que ce soit sans autorisation écrite du propriétaire. Property of FCI. Copyright FCI.



All rights strictly reserved. Reproduction or issue to third parties in any form whatever is not permitted without written authority from the proprietor. Property of FCI. Copyright FCI.

PRODUCT NUMBER
51939-005_-
NOTE: ③

NOTES:

1. DIMENSIONS AND TOLERANCES ARE IN ACCORDANCE WITH ASME Y14.5M, 1994 UNLESS OTHERWISE SPECIFIED.

CONNECTORS NOTES:

2. HOUSING MATERIAL: UL 94 V-0 GLASS FILLED HIGH TEMP THERMO PLASTIC
POWER CONTACT MATERIAL: COPPER ALLOY
SIGNAL PIN MATERIAL: COPPER ALLOY

⚠ 3. SEE ITEM 1 & 2 IN PRINT 10064183 FOR PLATING SPEC OF 51939-005 AND 51939-005LF RESPECTIVELY.

4. "MANUFACTURER" NAME, P/N, AND DATE CODE TO APPEAR ON THIS SURFACE.

5. PRODUCT SPECIFICATION GS-12-149.

PCB - NOTES:

6. ALL HOLE DIAMETERS ARE FINISHED HOLE SIZE.

7. HOLD DOWN THROUGH HOLES ARE UNPLATED.

8. $\varnothing .0453 \pm 0.0010$ [1.151 ± 0.025] DRILLED HOLES PLATED WITH 0.0003 [0.008] MIN SnPb OVER $.001$ [0.03] TO $.003$ [0.08] Cu PLATING TO ACHIEVE $\varnothing .040 \pm .003$ [$1.02 \pm .07$] HOLE.

9. "DIM XXX" TO BE DETERMINED BY THE CUSTOMER.

10. A ⚠ SYMBOL WILL BE NEXT TO ANY DIMENSION, VIEW, OR NOTE WHICH HAS BEEN MODIFIED WITH THE CURRENT DRAWING REVISION.

mat'l code		SEE NOTE 2		tolerances unless otherwise specified		CUSTOMER		FCI		www.fciconnect.com	
lfr	ecn no.	dr	date	linear	$.XX \pm .01 / 0.X \pm 0.3$	COPY		projection		title 6S + 4P + 8S + 6P + 8S	
K					$.XXX \pm .005 / 0.XX \pm 0.13$	⊕		⊖		RIGHT ANGLE SPECIAL HEADER	
				angles	$.XXX \pm .0020 / 0.XXX \pm 0.051$					product family PwrBlade	
				dr	$0^\circ \pm 2^\circ$	INCH/MM		size dwg no		code 213	
				enr	D. INGRAM 01/08/02	scale		A 51939-005		sheet 4 of 4	
				chr	J. ALLISON 01/08/02	1:1					
				appd	J. ALLISON 01/08/02						
sheet index	revision sheet										

cage code 22526

1 | 2

3 |

4

1 | 2

Pro/E

3 |

4