



Sunflower: Solar Power Manager 5V

SKU: DFR0559



Sunflower Solar Power Series

Introduction

DFRobot Sunflower is a brand new series focusing on high-efficiency micro to middle power solar energy harvesting and management for makers, renewable energy and IoT projects. All Sunflower modules feature as MPPT (Maximum Power Point Tracking) maximizing solar collection efficiency under different sun light, and a variety of battery and power protections. These features provide makers' solar projects efficient and reliable power management.

Selection Guide

Name	Solar Power Manager	Solar Power Manager 5V ★
SKU	DFR0535	DFR0559
Solar Power Management IC	LTC3652	CN3065
Solar Input Voltage	7V ~ 30V	4.4V ~ 6V
Maximum Charge Current	2A	900mA
Topology	DC-DC Buck	Linear Regulator
Battery	3.7V Lithium Battery	3.7V Lithium Battery
MPPT	Yes (9V/12V/18V Optional)	Yes (Fixed 5V)
Battery Protections	Over Charge/Over Discharge/Over Current/Reverse Connection Protections	Over Charge/Reverse Connection Protections
Output Protections	Short Circuit/Over Current/Over Heat Protections	Short Circuit/Over Current Protections
USB Charge IN	Yes	Yes
USB OUT	5V 1.5A	5V 1A
Regulated OUT	Three Regulated Outputs 3.3V 1A ; 5V 1.5V ; 9V/12V 0.5A	One Regulated Output 5V 1A
Dimension	78.0mm×68.0mm	33.0mm×63.0mm
Features	A complete multifunction solar power management module. Applications: Small Solar Street Lamp, Solar Powered Robots For 9V/12V/18V Solar Panels within 20W	A small and easy-to-use 5V solar power management module. Applications: Solar Power Bank, Solar Environment Monitors For 5V Solar Panels within 10W

Introduction

DFRobot Sunflower is a new series focusing on high-efficiency small power solar energy harvesting and management for makers, low-power applications and IoT projects. Solar Power Manager 5V is a small power and high-efficiency solar power management module designed for 5V solar panel. It

features as MPPT (Maximum Power Point Tracking) function, maximizing the efficiency of the solar panel. Apart from serving as a solar charger, the module can provide up to 900mA charging current to 3.7V Li battery with USB charger. The ON/OFF controllable DC-DC converters with 5V 1A output satisfies the needs of various solar power projects and low-power applications. The module also employs various protection functions, such as battery/solar panel reverse connection protection, output over temperature and over current/short circuit protection, which greatly improves the stability and safety of the system.

Features

- Constant Voltage MPPT Algorithm, Maximizing Solar Panel Efficiency
- Designed for 5V Solar Panel
- Double Charging Mode: Solar/USB Charger (900mA Max Charge Current)
- 5V ON/OFF Controllable Regulated Power Supply for Low-Power Applications
- Various Protection Functions
- USB Connector with ESD Shell

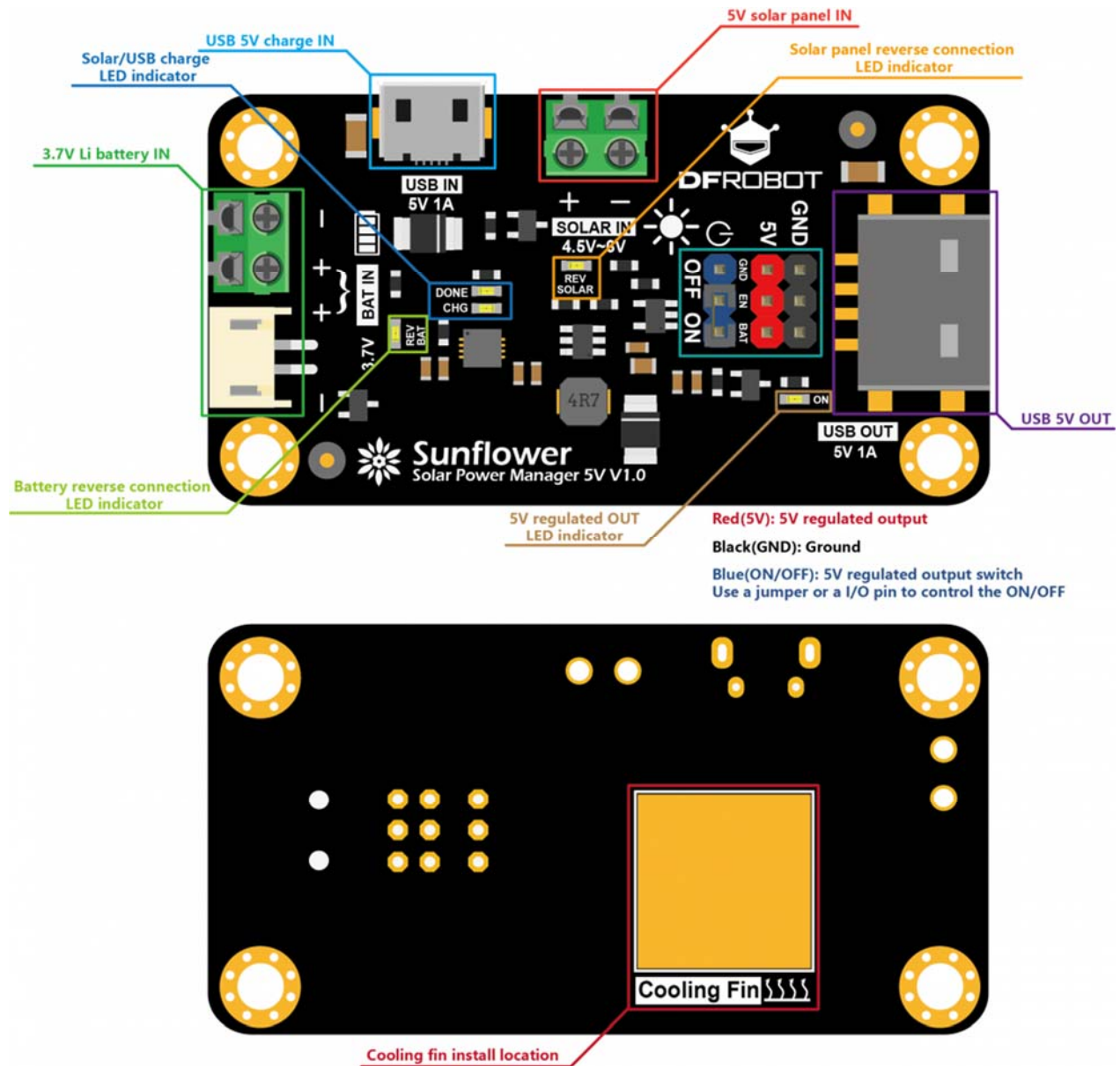
Specifications

- Solar Power Management IC: CN3065
- Solar Input Voltage (SOLAR IN): 4.5V~6V
- Battery Input (BAT IN): 3.7V Li-Polymer/Li-ion Battery
- Charge Current (USB/SOLAR IN): 900mA Max Trickle Charging, Constant Current, Constant Voltage Three Phases Charging
- Charge Cutoff Voltage (USB/SOLAR IN): 4.2V±1%
- USB IN Voltage: 5V
- Regulated Power Supply: 5V 1A
- Regulated Power Supply Efficiency (3.7V Battery IN)
- 5V/USB OUT: 89%@10%Load, 86%@50%Load, 83%@90%Load
- USB/Solar Charge Efficiency: 73%@3.7V 900mA BAT IN
- Maximum Quiescent Current: <1 mA
- Protection Functions
- BAT IN: Over Charge/Reverse Connection Protection
- 5V/USB OUT: Short Circuit/Over Current/Over Heat Protection
- SOLAR IN: Reverse Connection Protection
- Operation Temperature: -40°C~85°C
- Dimension: 33.0mm*63.0mm/1.3 * 2.48 inches

Applications

- Smart Solar Powered Environment Monitor System
- Solar Powered Robots
- Small Solar Street Lamp
- Solar Power Bank

Board Overview



Quick Start

Build a solar powered system

- Connect the Li battery to BAT IN.
- Connect the solar panel to SOLAR IN.
- Connect USB OUT of the module to Arduino with USB cable.
- Connect all the VCC and GND pins of the peripherals to the regulated power supply headers 5V and GND.
- Insert the jumper on the ON of the blue header.

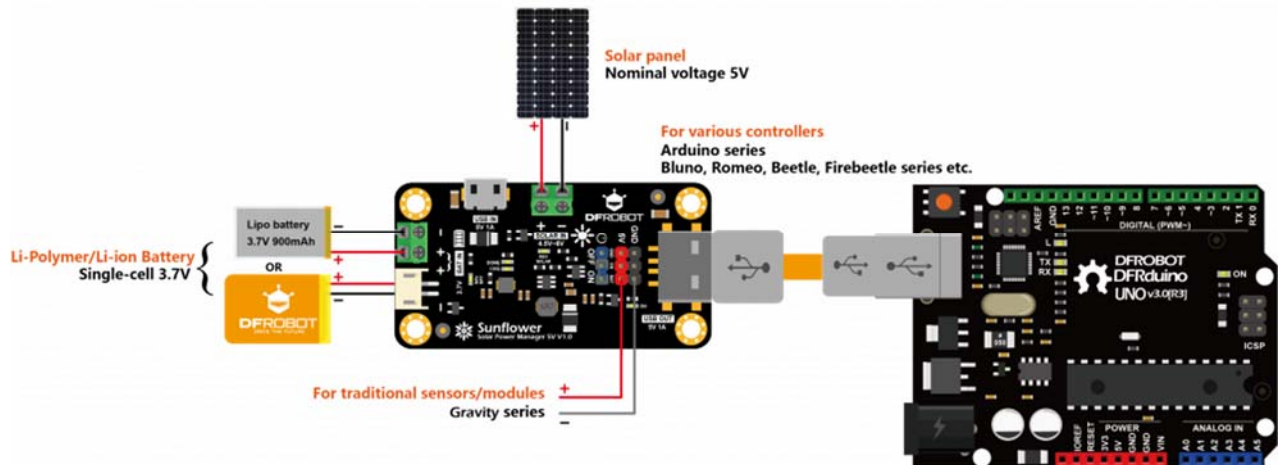


Warning

This module **DOES NOT** has over-discharge protection. We highly recommend users to use a **lipo with protection circuits to prevent over-discharge problem**. Over discharging LiPo batteries will lead to permanent damage and the build up of gasses inside. If the battery is then charged, the compounds in the battery become reactive and combustible. This may finally cause the battery to explode or on fire.

Attention

If a 10W (or above) solar panel or USB charger is used, the CN3065 may run in full load, trying to charge the battery at maximum 900mA. In order to improve the cooling of the IC, it is highly recommended to attach the **thermal conductive silicone pad** and **Aluminum cooling fin** (included in the kit) to the bottom of the module where the label "Cooling Fin" is located.



Solar powered system

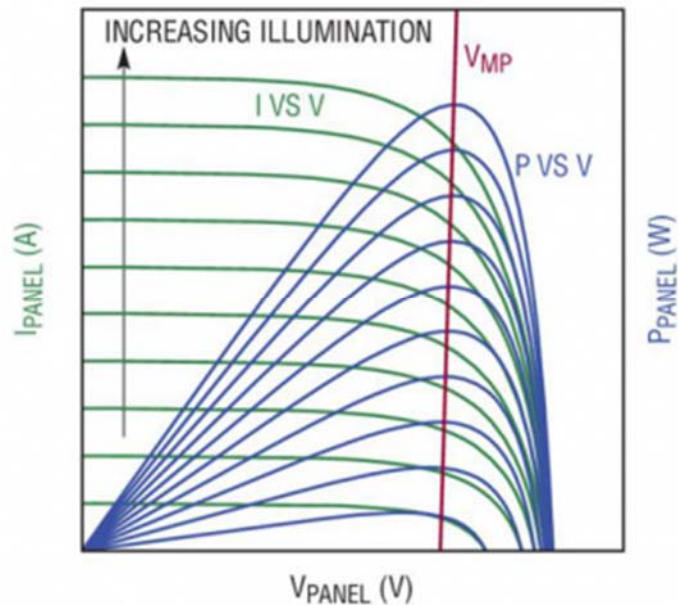
Detailed Description

Maximum Power Point Tracking, MPPT

The **MPPT (Maximum Power Point Tracking)** can ensure the solar panel output power maintains at its maximum under different loads and sunlight, maximizing the conversion efficiency.

We can identify the short circuit current I_{SC} and the open circuit voltage V_{OC} from the cross points of the I/V curve (green) with x and y axis respectively. The I_{SC} and V_{OC} grow larger with the illumination increasing. With the output voltage V_{PANEL} growing, the output current I_{PANEL} gradually decreases and

then jumps down after crosses a special point V_{MP} , the maximum power voltage. By multiplying the voltage and current, which obviously results in power, and take the output voltage as the x axis, we obtain the P/V curve (blue). The output power P_{PANEL} reaches its peak when the output voltage is at V_{MP} . Although the maximum power increases with illumination, the V_{MP} changes little. Therefore, we may approximately take the V_{MP} as a constant for a specific solar panel under different illumination.



IV/PV characteristic curve of a typical solar panel (picture from Linear Technology)

Inspired by the observation above, the CN3065 solar power management IC (employed by this module) maximizes the output power by keeping the output voltage at the vicinity of V_{MP} , which is also called **constant voltage MPPT algorithm**. Benefited from this feature, the module has a better conversion efficiency compared to common linear battery charger.

Solar Panel Selection

The module is designed for 5V (nominal/maximum power voltage) solar panel. Any kinds of panel (monocrystal, polycrystal, thin flim) can be employed as long as the **open circuit voltage** is less than 6.5V. Taking the size, weight, price of the panel and the 900mA maximum charge current of the module all these factors into consideration, it is recommended to connect a solar panel with no more than 10W to the SOLAR IN terminal.



The input voltage of **SOLAR IN** SHOULD NOT exceed 6.5V, or the module may be permanently damaged.

Battery Selection

The battery input BAT IN provides two connectors JST PH2.0 and KF396 3.96mm 2P terminal, which directly connect each other internally. Usually, connect **one 3.7V Li-polymer/Li-ion battery (4.2V when fully charged)** to one of the connectors. The maximum charge current can be up to

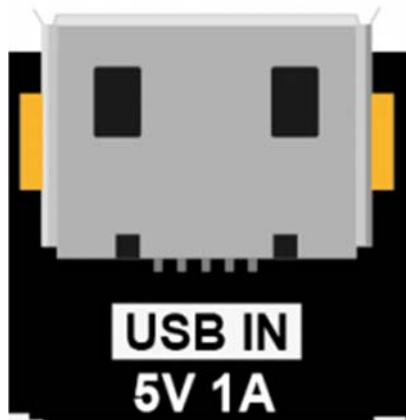
900mA for both USB IN or SOLAR IN. Safety issue may arise if the charging current exceeds the nominal charge current of the battery, which is often determined by the capacity and charge rate of a battery. The maximum allowable charge current of a battery can be calculated with the equation: Maximum charge current(mA) = Capacity(mAH) * Charge rate(C). Use this equation to check whether the battery is suitable. For commonly used 1C (charge rate) Li battery, the capacity should be at less 900mAh. For higher charge rate battery, smaller capacity can be used. Some Li batteries are packed with battery protection circuit to automatically limit the charge/discharge current. For such batteries, users are free of worrying about the charge current issue stated above.



DO NOT use nonchargeable battery or chargeable battery not described above.

USB Charge Requirement

The USB IN is only used for battery charging. It is recommended to use at less a 5V 1A AC adapter for battery charging.



USB IN charge input

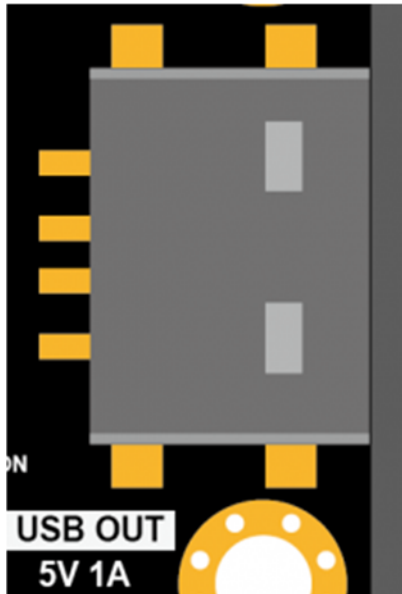
USB/SOLAR IN Automatic Switching

Both the USB IN and SOLAR IN are capable of deliver 900mA max charge current. To prevent charge conflict caused by using both inputs, the USB charge has a higher priority. When the USB IN is powered on by AC adapter, the SOLAR IN will be automatically cut off. When the USB IN is powered down, the SOLAR IN resumes charging.

Regulated Power Supply

The module provides a ON/OFF controllable 5V 1A regulated output. The 5V outputs of the header and USB OUT share the same output voltage and maximum current, however, USB OUT CAN NOT be shutdown.

Most of the power banks available on the market has the automatic shutdown function to reduce the quiescent power under light loads. However, the automatic shutdown threshold is usually higher than many low power controllers, some even higher than the classical Arduino UNO (around 50mA). Such power banks will automatically shut itself down when the output current continues lower than some preset threshold after several seconds, which fails to apply to low power applications. The USB OUT employs the low quiescent power DC-DC boost converter and always remains ON to provide continuous power to low power controller.

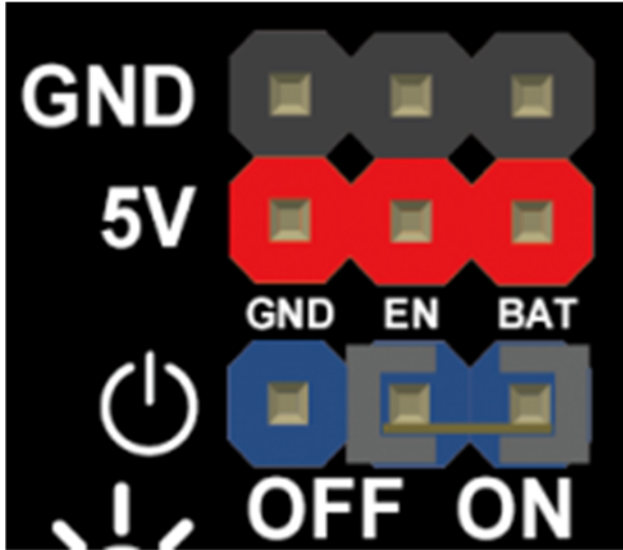


5V USB OUT

Except from USB OUT, the header 5V output can be turned ON/OFF by all 3.3V and 5V controllers (such as Arduino, FireBeetle or Raspberry Pi etc.). Pull out the jumper on the blue header, the output will be shutdown (LED indicator ON turns dark). Connect any IO and GND pin of the controller to the EN and GND pin of the blue header. When the IO pin is driven HIGH, the regulated output turns on. When driven LOW, the output turns OFF. This function is extremely useful in low power application. For example, connect all VCC and GND pins of the peripherals (sensors or other modules) to the 5V and GND pins. Turn on the regulated output and read all the data from the sensors. Turn off the output and put the controller into sleep mode for 1s (for example) until next wake up. By cycling the system into such discontinuous (or pulse) operation pattern, the average power consumption can be greatly reduced. Average power consumption and data acquisition interval are the trade off under such situation.

Attention

Turn off 5V header output will not turn off USB OUT 5V output, which CAN NOT be shutdown. The **total** output power of USB OUT and 5V header should not exceed $5V \times 1.5A = 7.5W$. Pay attention to the differences of the **GND** on the black header and blue header, though they share the same names. When the 5V output turns ON, the "GND" on the black header is connected to the system ground GND. When the 5V output turns OFF, they are disconnected. The GND on the blue header is the system ground GND.

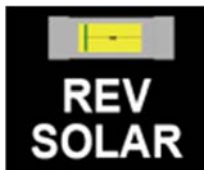


5V header output

LED Indicators

There are three types of LED indicators indicating the operation status of different parts of the module:

Reverse connection LED indicators: when the battery or solar panel are reverse connected at the BAT IN or SOLAR IN, the corresponding orange LEDs **REV BAT** or **REV SOLAR** turns ON, informing the user a reverse connection error.



Charge LED indicators: when using the USB IN or SOLAR IN to charge the battery, the **CHG** LED (red) turns ON. If the battery is fully charged, the **CHG** LED turns OFF and the **DONE** LED (green) turns ON. If the battery is not connected, both CHG and DONE turn ON.



Regulated output LED indicator: The ON LED(green) indicates the ON/OFF status of the 5V regulated output. The LED turns ON when the output turns ON and vice versa. Again, the USB OUT can not be shut down and has no LED indicator. Once one of the USB IN, BAT IN or SOLAR IN are available, the USB OUT outputs a 5V.



Cooling Fin installation

If an USB AC adapter or a 10W (or above) solar panel is used, the solar power management IC CN3065 may run into full-load. The chip has over-temperature protection function, which will automatically limit the charge current, trying to protect the chip. To improve cooling and maximize charge current, which results in longer life-span and better performance, it is highly recommended to stick the **Aluminum cooling fin** with the **blue thermal conductive silica pad** to the bottom of the module, where the label "Cooling Fin" is located.



Cooling fin install location

Protection Functions

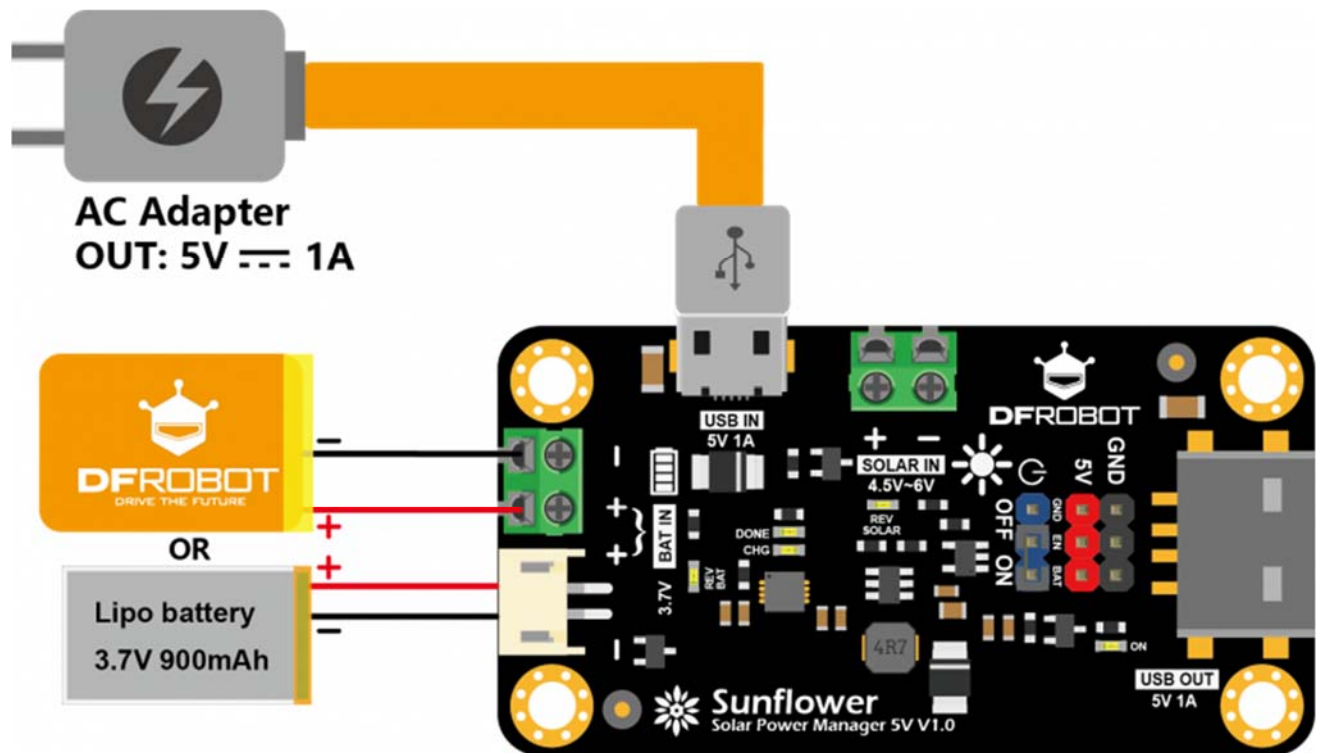
Reverse connection protection: On the BAT IN and SOLAR IN, the reverse connection protection circuit prevents the reverse voltage from damaging the module and the corresponding LED will light up to inform the user.

Regulated output protection: When the output are accidentally shorted or output current beyond 1A (over load), the output will be complete shutdown to protect the output regulator.

Application Examples

Use the USB to charge battery

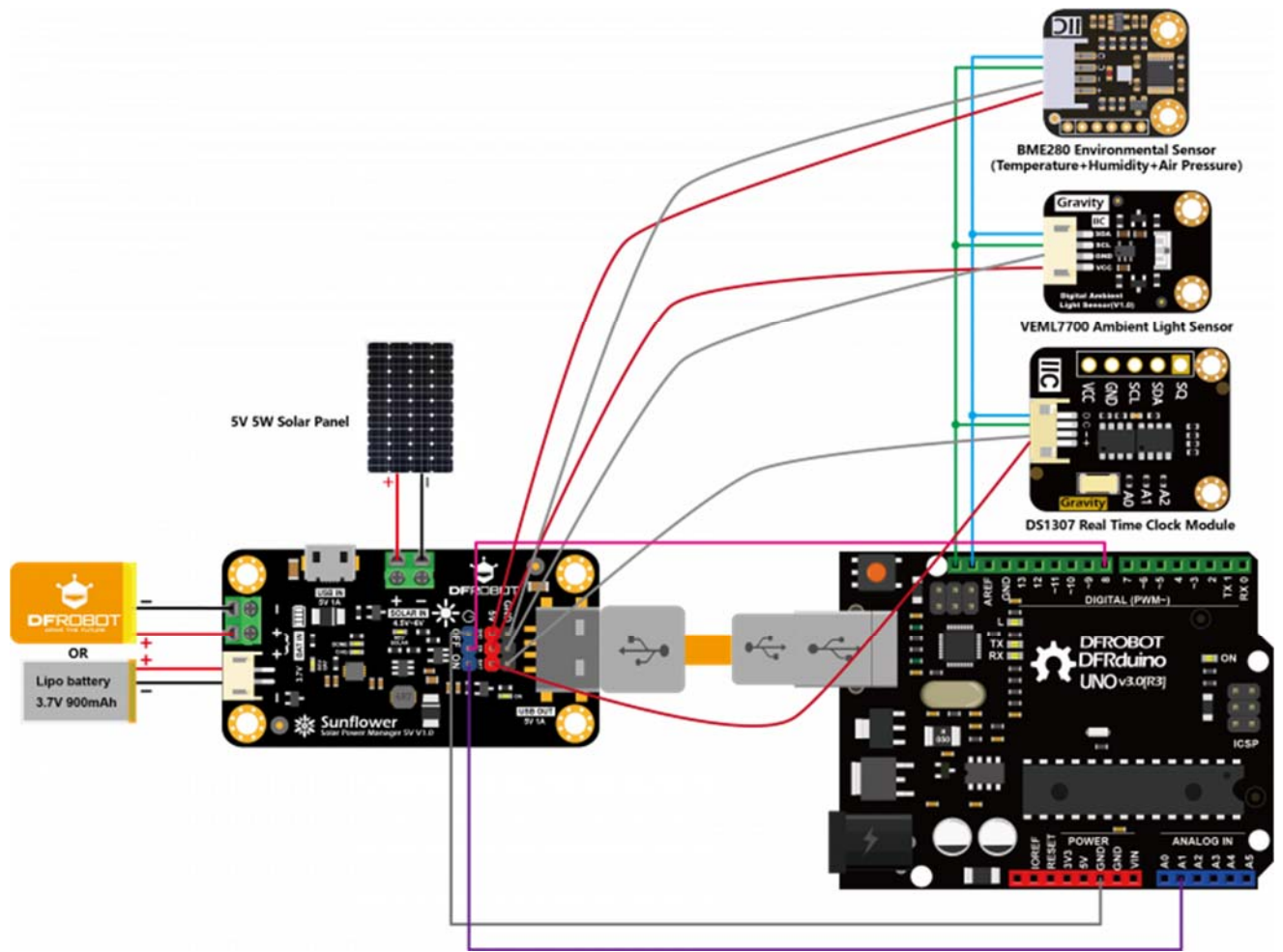
Utilize the USB charge function, the user can build a USB/solar power bank for outdoor sport application. Charge the battery with solar panel by daytime and USB at night with cell phone charger (if it is available). User can also charge small charge current, low power devices, such as smart band or Bluetooth headset with the USB OUT.



Use USB charger to charge Li battery

Build a low power environment monitor station

This application example uses the BME280 environmental sensor to record temperature, humidity and atmospheric pressure, VEML7700 ambient light sensor to record the ambient illumination, and DS1307 RTC module to record time. Use the analog input A1 to monitor the battery voltage (equivalently the battery capacity). To achieve lower power consumption, use one Arduino digital IO pin to turn ON the power supply, read all the data from the sensors and turn them OFF. Cycle this pattern for a proper interval T to reduce the average power consumption. This can completely get rid of the quiescent power of the peripheral modules. Although single peripheral may consume little power, it can be considerable large for a number of them. This module provides users with effective methods to drive the peripheral modules into discontinuous (pulse) mode to achieve low power operation.



Low power environment monitor station