

MATERIALS AND FINISHES

BODY ZINC ALLOY  
PLATED NICKEL

CENTER CONTACT PHOSPHOR BRONZE  
PLATED GOLD

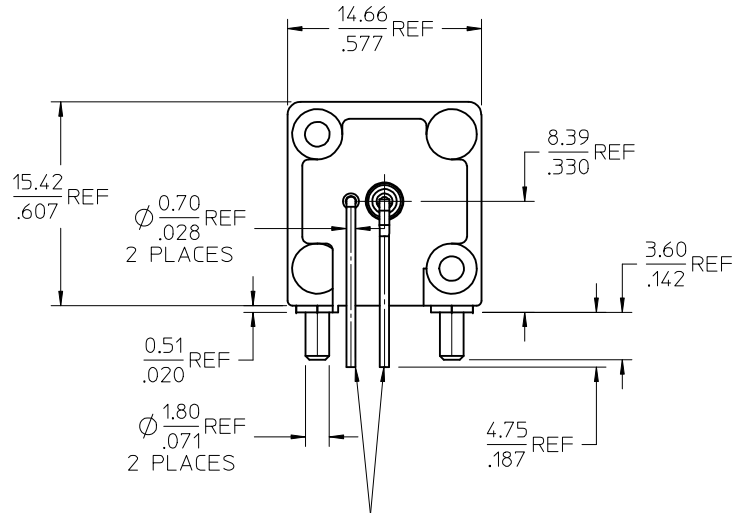
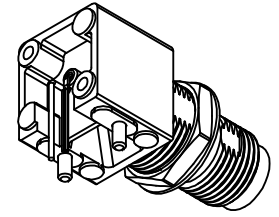
INSULATOR POLYPROPYLENE

MOUNTING POST BRASS  
PLATED TIN

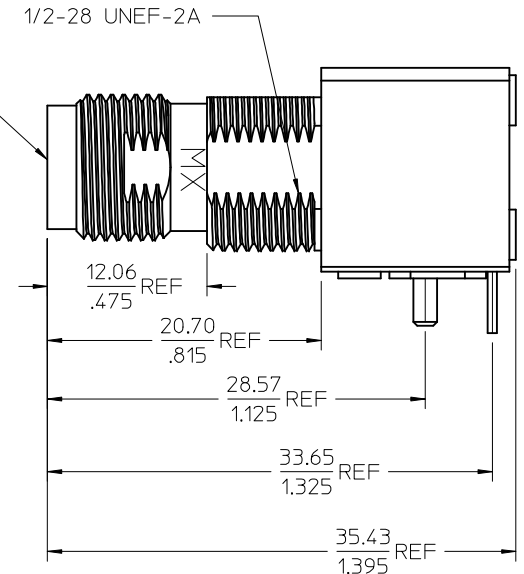
SOLDER TAIL STEEL  
PLATED TIN

WASHER PHOSPHOR BRONZE  
PLATED NICKEL

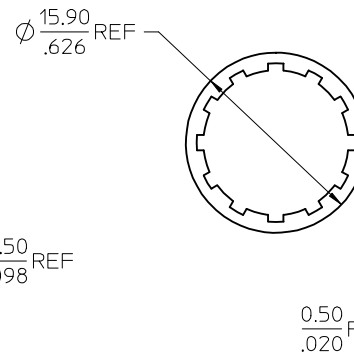
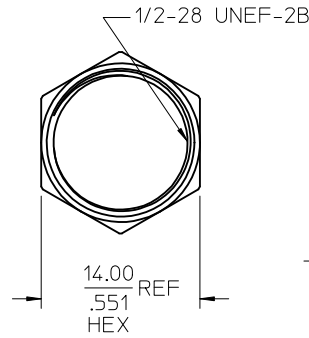
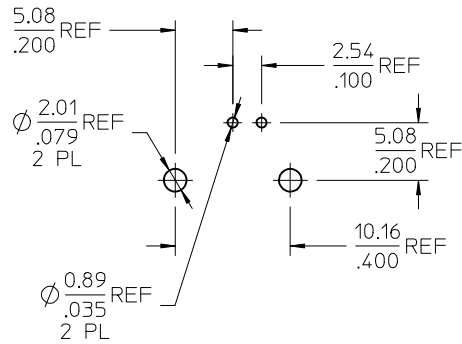
JAM NUT BRASS  
PLATED NICKEL



TNC JACK  
50 OHM  
INTERFACE



NOTE: THESE LEADS ADJUSTABLE TO FIT  
PCB PATTERN DURING INSTALLATION



RECOMMENDED MOUNTING HOLE  
MAXIMUM PANEL THICKNESS: 5.4mm (.213)  
RECOMMENDED MOUNTING TORQUE:  
1.36 N-M (12 INCH-POUNDS MAX)

PART NUMBER: 73205-5033

CHG: CONVERT TO SD EC NO: URF2009-0148 DRWN: WIENER 2008/09/24 CHKD: SHAH 2008/09/24 APPR: WIENER 2008/09/24	QUALITY SYMBOLS ▽=0 ▽=0	GENERAL TOLERANCES (UNLESS SPECIFIED)		DIMENSION STYLE MM/IN	SCALE METRIC	DESIGN UNITS METRIC	THIRD ANGLE PROJECTION
		4 PLACES ± --- ± --- 3 PLACES ± --- ± --- 2 PLACES ± --- ± --- 1 PLACE ± --- ± --- ANGULAR ± 2°	DRAWN BY JOE CHECKED BY DATE 96/07/11	DATE 96/07/11	TITLE TNC JACK R/A PCB 50 OHM TNC - J/RA/PCB	MATERIAL NO. 732055033	DOCUMENT NO. SD-73205-5033
DRAFT WHERE APPLICABLE MUST REMAIN WITHIN DIMENSIONS		THIS DRAWING CONTAINS INFORMATION THAT IS PROPRIETARY TO MOLEX INCORPORATED AND SHOULD NOT BE USED WITHOUT WRITTEN PERMISSION					