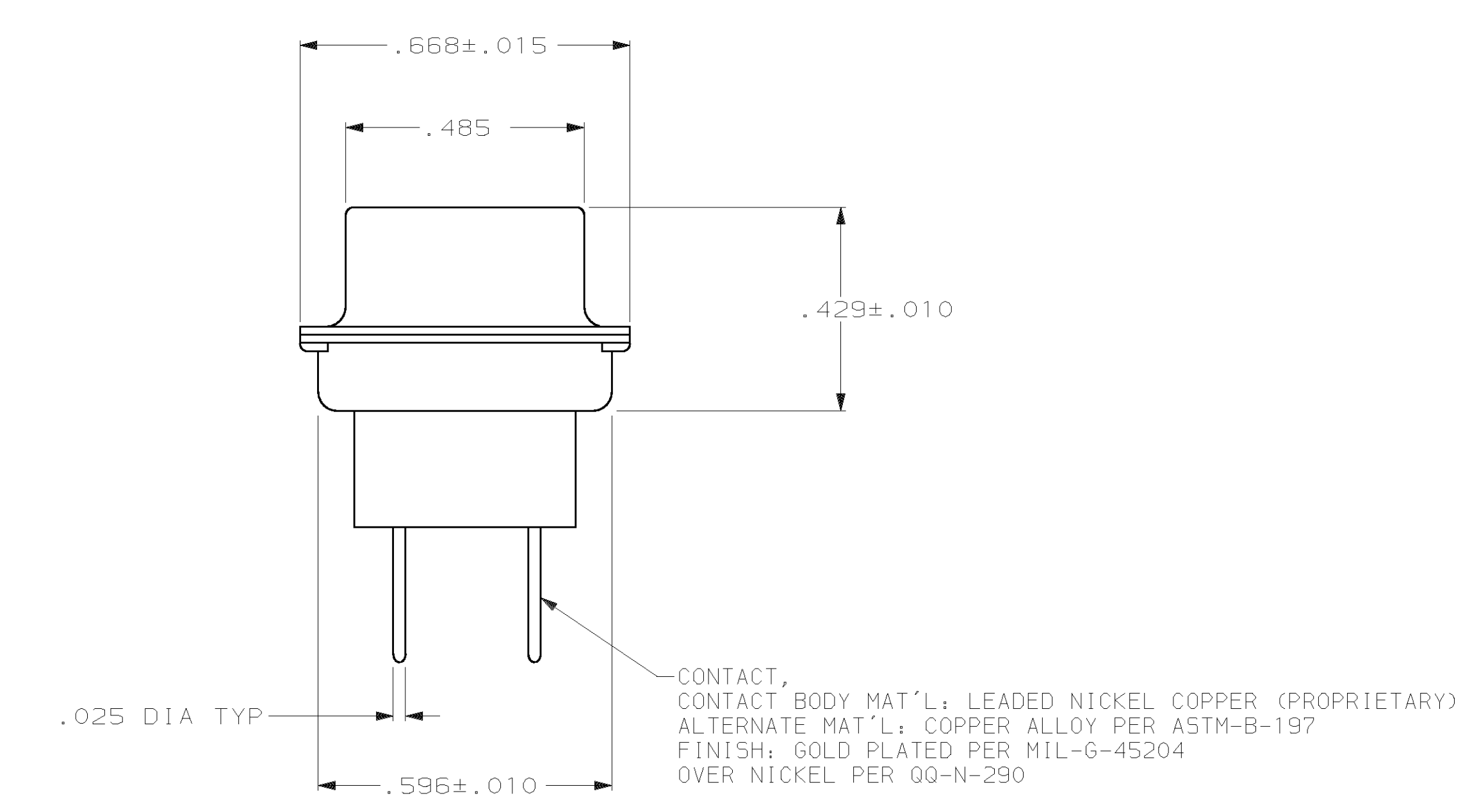
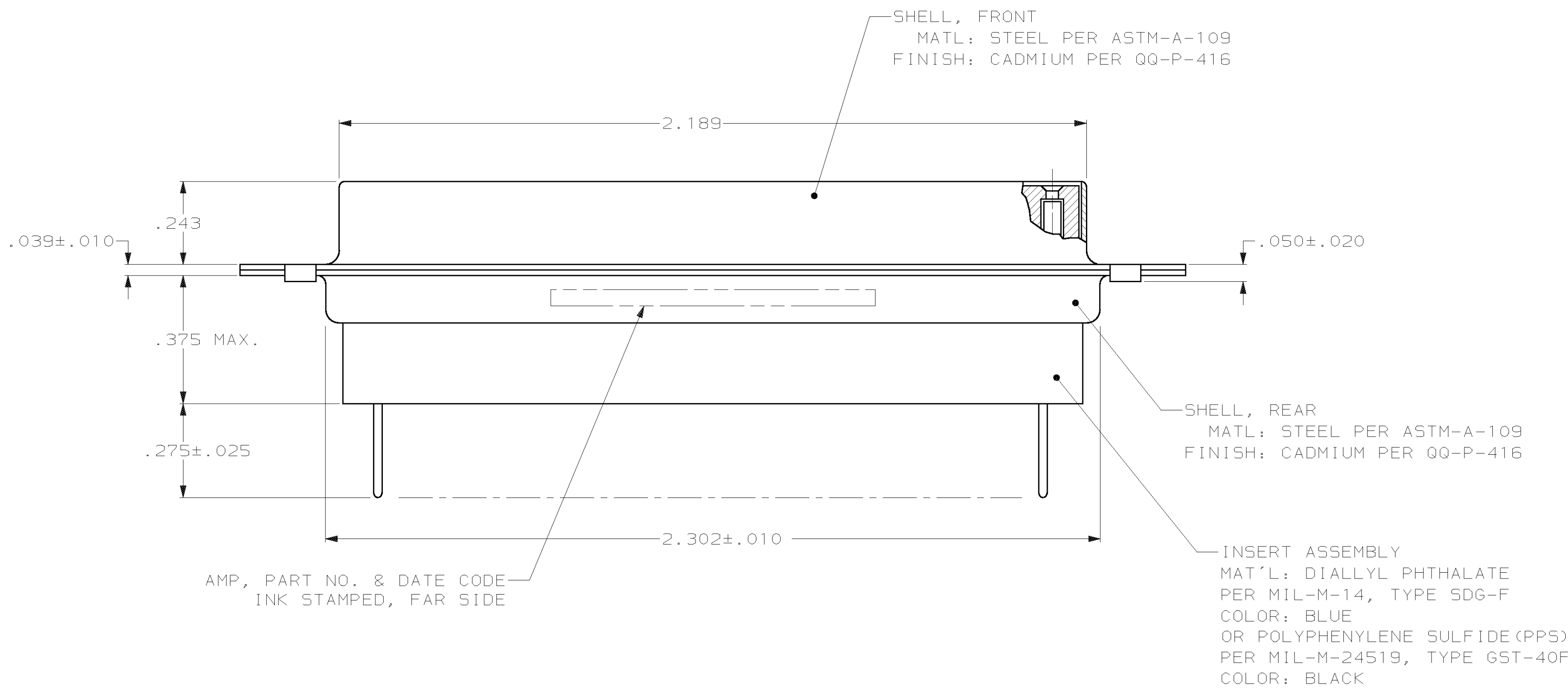
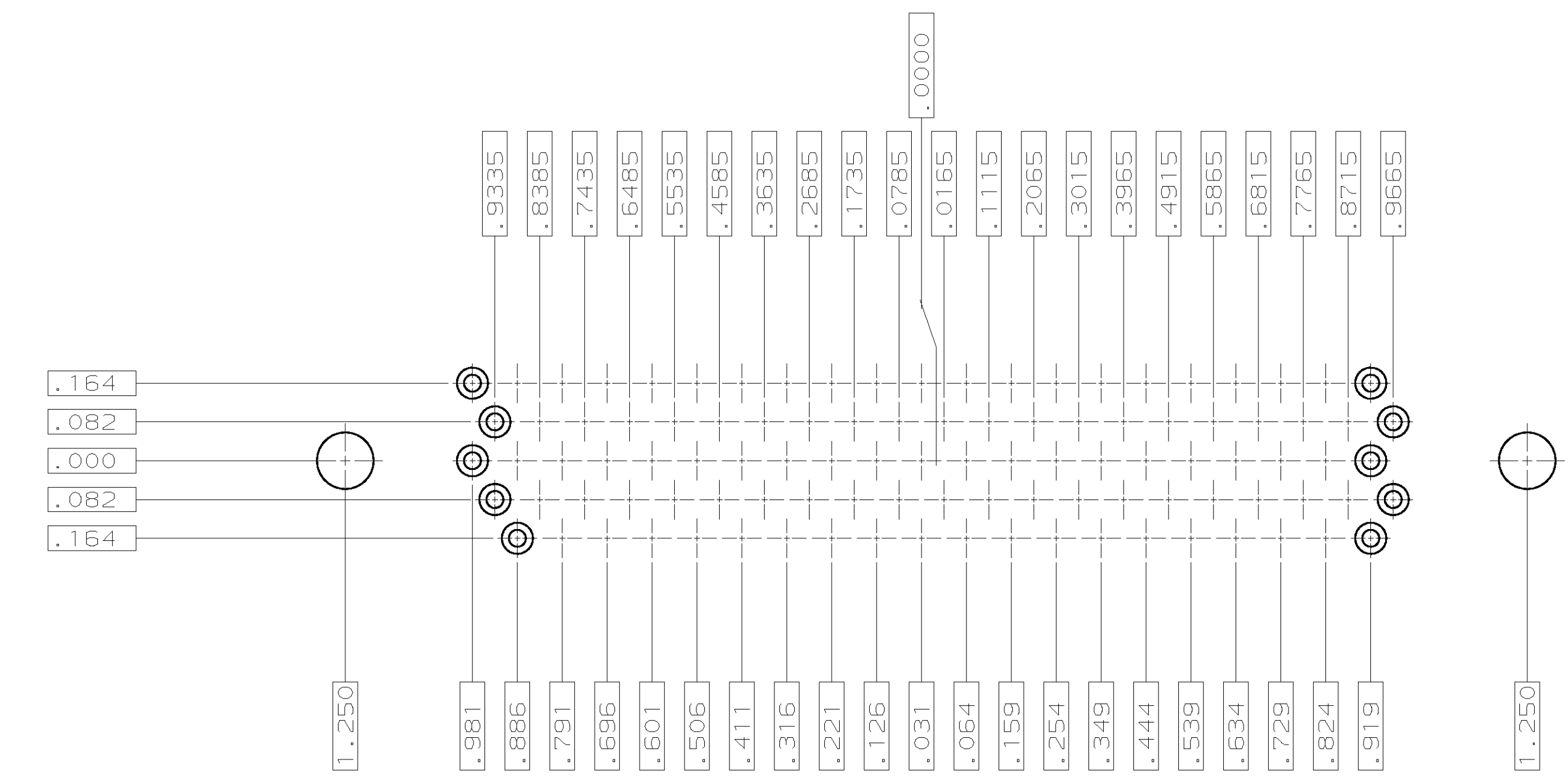
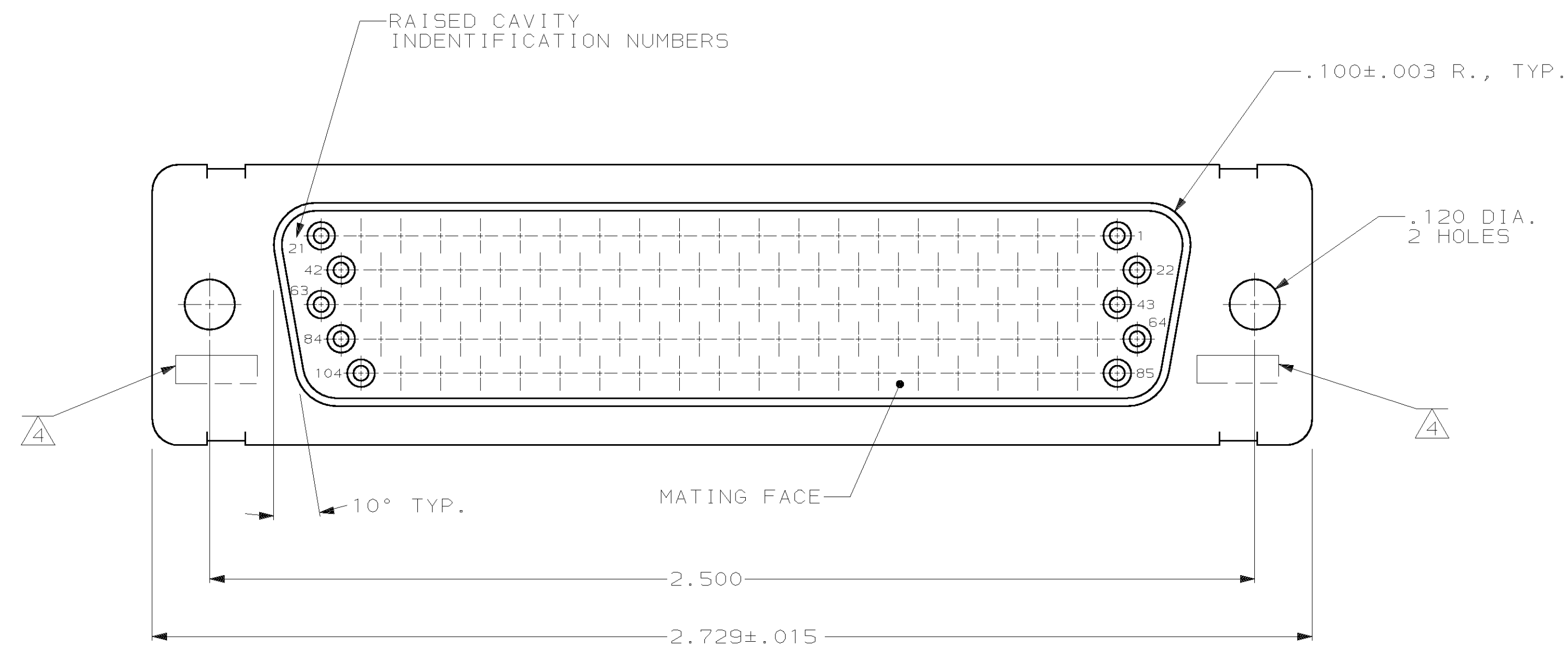


LOC		DIST		P		F		ZONE		LTR		REVISIONS			
DF	DO											DESCRIPTION	DATE	APPD	
												REV PER 063D-0646-00	CT	7-01	JM



- .040 DIA HOLE IS RECOMMENDED FOR P.C. BOARD
- CONNECTOR MATES WITH ANY AMP 104 POSN PLUG
- REPLACEMENT SOCKET AMP# 207684-4
- UL/CSA DESIGNATION STAMPED IN THIS AREA, OPTIONAL

DO NOT SCALE PRINT. UNLESS SPECIFIED DIMENSIONS IN INCHES TOLERANCES ON:		DR 1-9-88 C.C. THOMAS		AMP INCORPORATED Harrisburg, Pa. 17105	
2 PLC DEC ± .005		CHK 1-25-88 F.C. BALLEW III			
3 PLC DEC ± .005		APPD 1-25-88 F.C. BALLEW III		NAME AMPLIMITE 104 POSN. RCPT. ASSY., WITH LOADED POSTED CONTACTS SIZE 6, SERIES 90	
ANGLES ± 0°30'		APPD 1-26-88 D.J.M.		SIZE D 00779	
MATERIAL SEE CALLOUTS		PRODUCT SPEC -		DRAWING NO 208877	
FINISH SEE CALLOUTS		APPLICATION SPEC -		SCALE 4:1	
WEIGHT -				SHEET 1 OF 1	