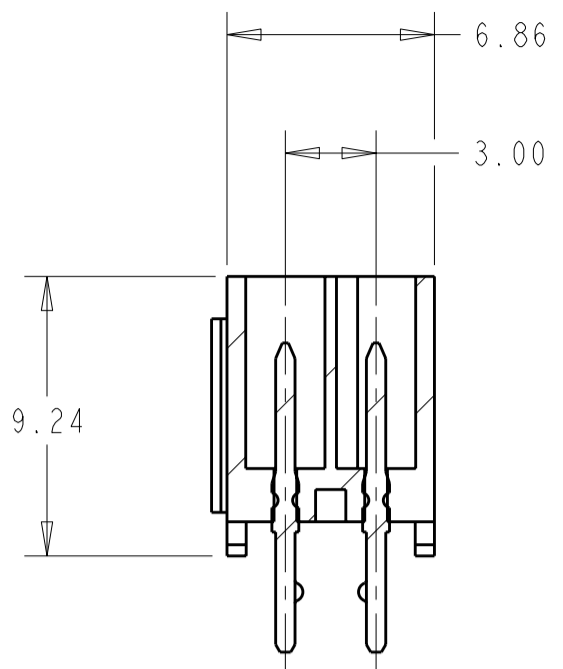
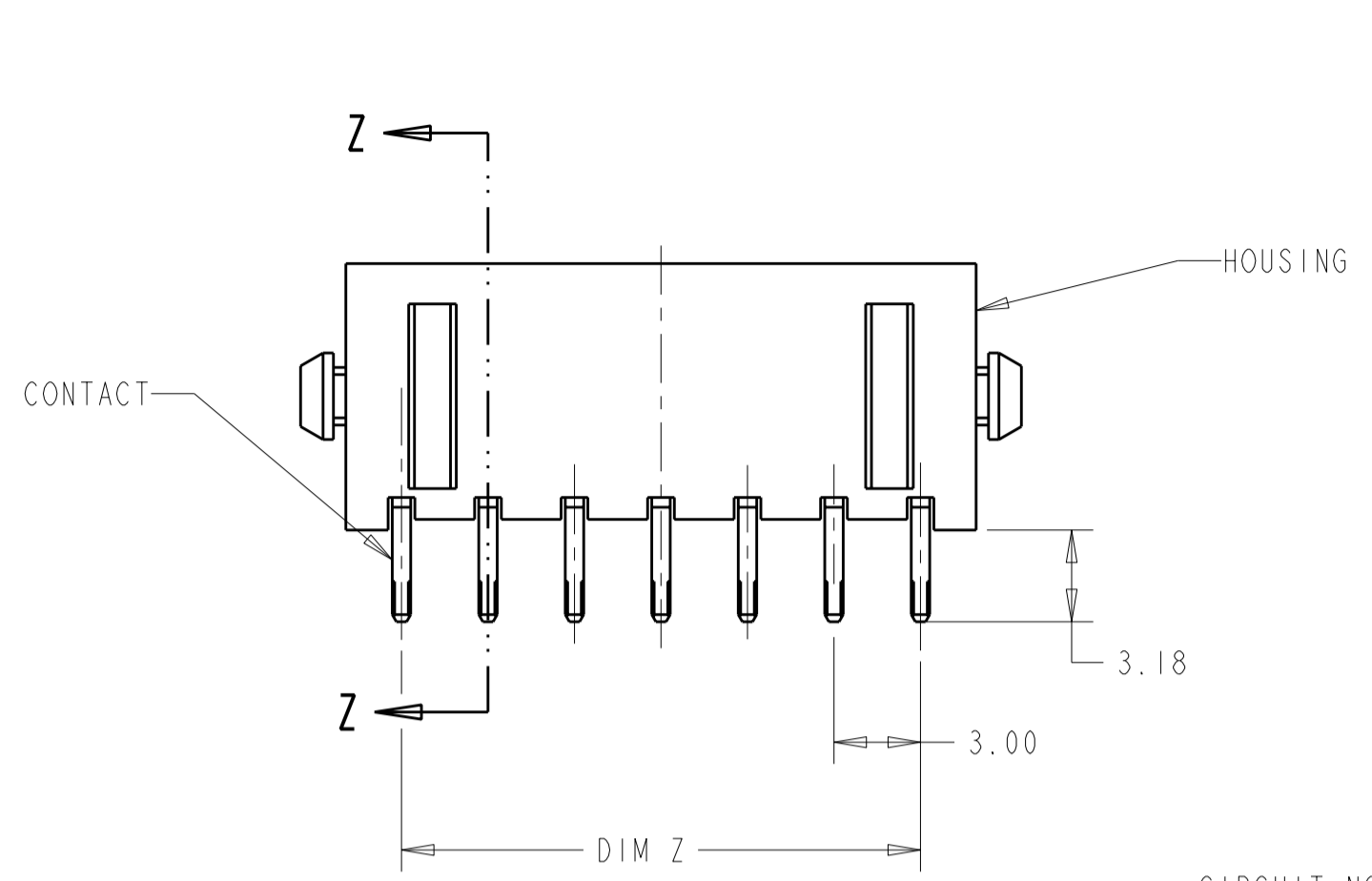
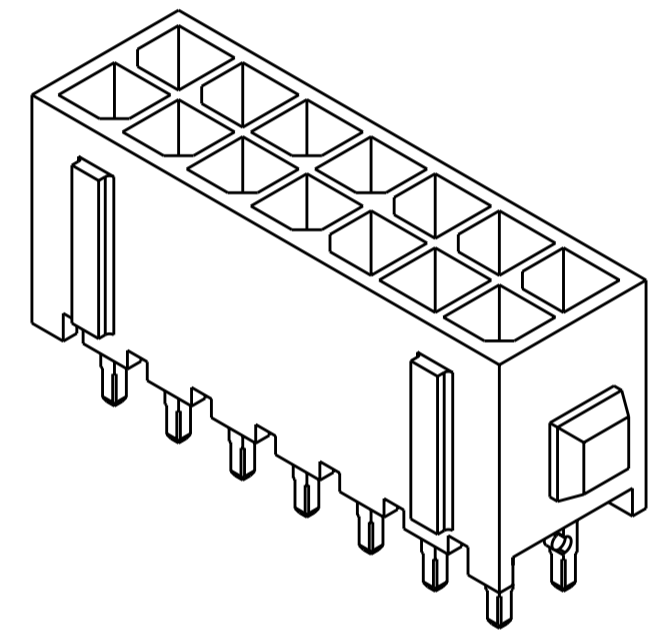
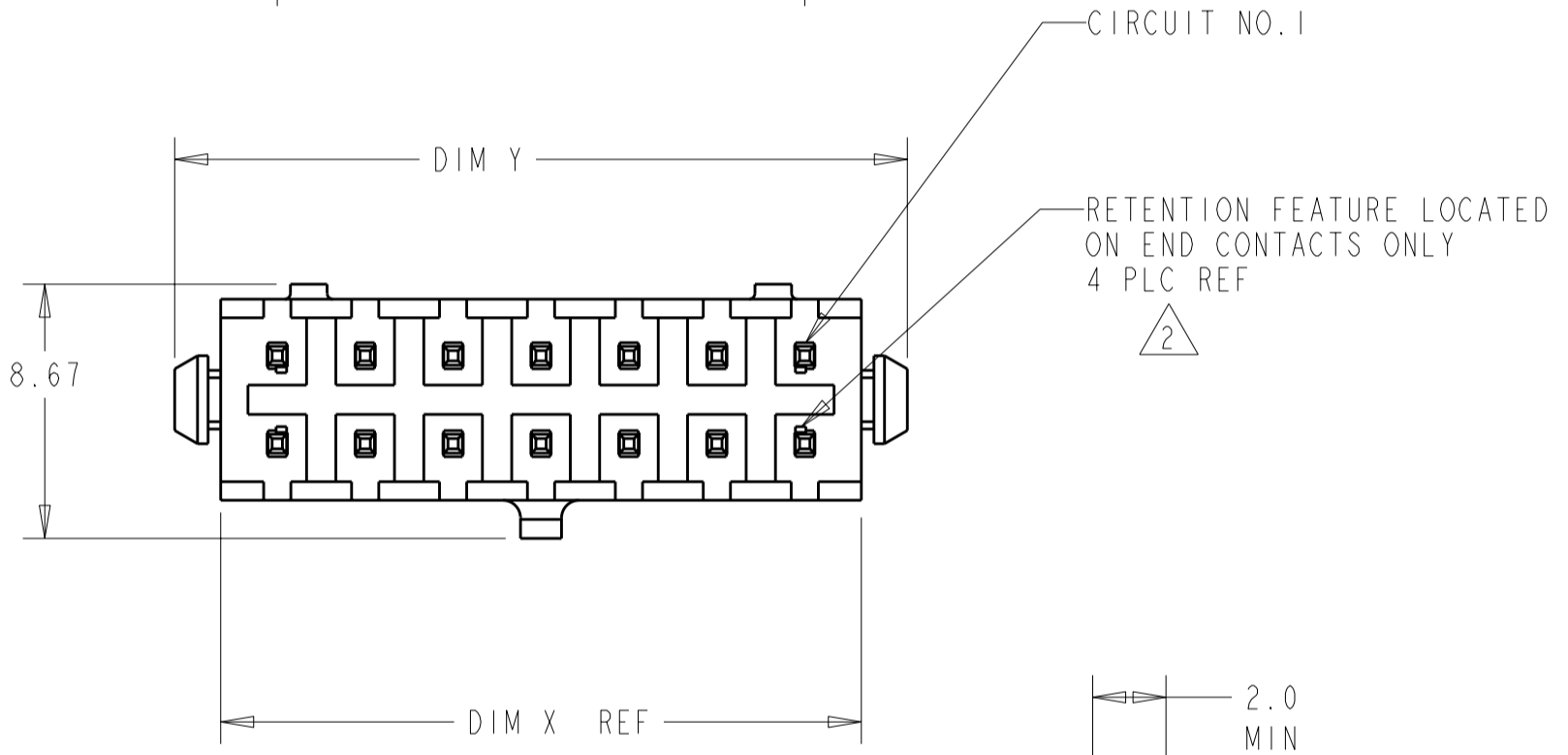


THIS DRAWING IS UNPUBLISHED. RELEASED FOR PUBLICATION
 © COPYRIGHT 20 BY - ALL RIGHTS RESERVED.

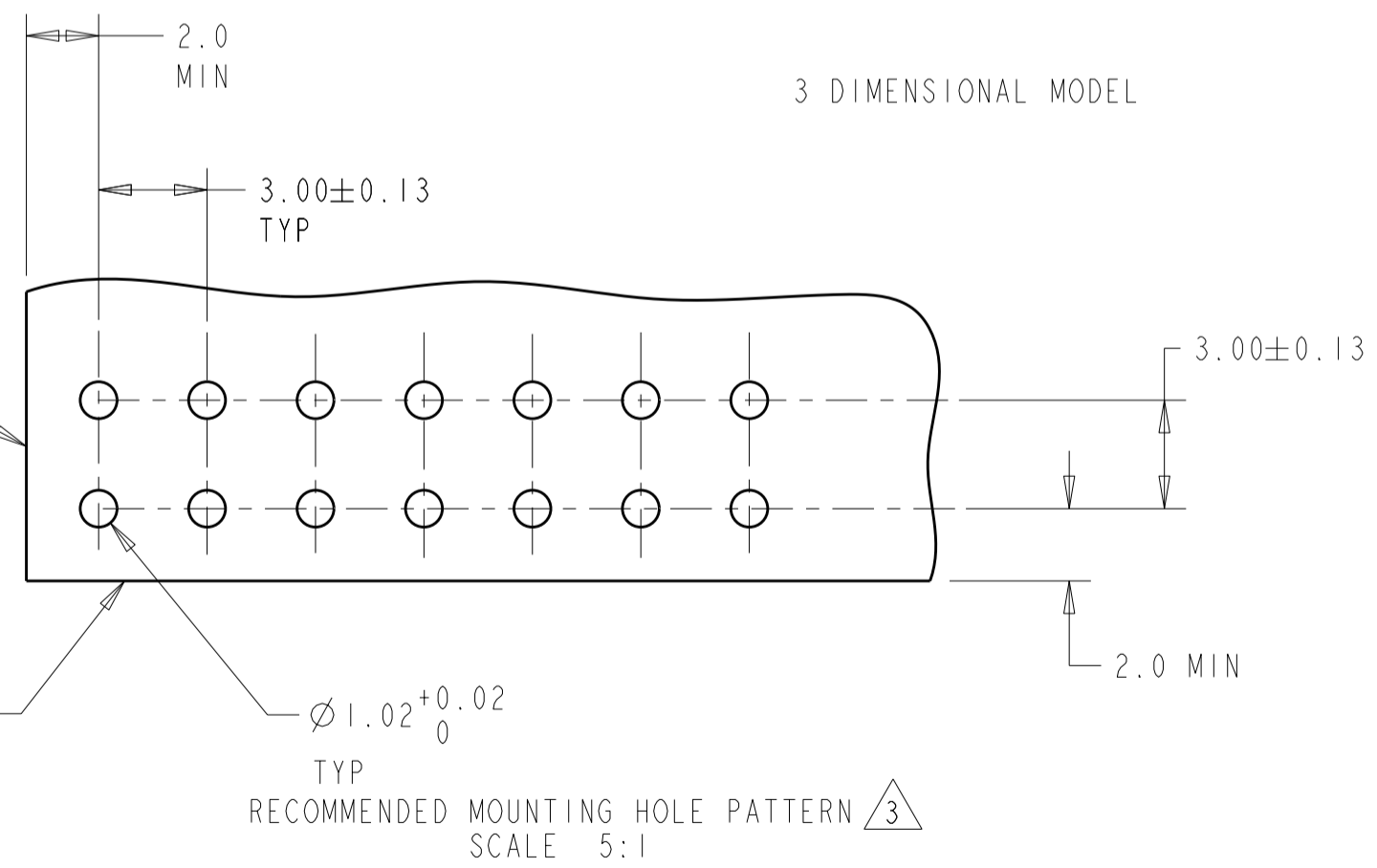
LOC	DIST	REVISIONS					
CM	00	P	LTR	DESCRIPTION	DATE	DWN	APVD
		D2		REVISED PER ECR-12-007353	17MAY2012	KH	TM



SECTION Z-Z



3 DIMENSIONAL MODEL



- 1 MATERIAL: HOUSING - NYLON, UL 94V-0, BLACK.
CONTACT - BRASS.
0.000762 MINIMUM GOLD OVER 0.00254
MINIMUM NICKEL ON MATING AREA. 0.00254
TIN-LEAD MINIMUM OVER 0.00254 NICKEL
MINIMUM ON SOLDER TAILS.
- 2 MAXIMUM INSERTION 20 LBS.
- 3 RECOMMENDED BOARD THICKNESS 1.57.
- 4 MATERIAL: HOUSING - NYLON, UL 94V-0, BLACK.
CONTACT - BRASS.
0.000762 MINIMUM GOLD OVER 0.00254
MINIMUM NICKEL ON MATING AREA. 0.00254
MATTE TIN MINIMUM OVER 0.00254 NICKEL
MINIMUM ON SOLDER TAILS.

FINISH	DIM Y	DIM Z	DIM X	NO. OF POSN.	PART NUMBER
4	40.00	33.00	36.86	24	5-794632-4
4	37.00	30.00	33.86	22	5-794632-2
4	34.00	27.00	30.86	20	5-794632-0
4	31.00	24.00	27.86	18	4-794632-8
4	28.00	21.00	24.86	16	4-794632-6
4	25.00	18.00	21.86	14	4-794632-4
4	22.00	15.00	18.86	12	4-794632-2
4	19.00	12.00	15.86	10	4-794632-0
4	16.00	9.00	12.86	8	3-794632-8
4	13.00	6.00	9.86	6	3-794632-6
4	10.00	3.00	6.86	4	3-794632-4
4	7.00	-	3.86	2	3-794632-2
1	40.00	33.00	36.86	24	2-794632-4
1	37.00	30.00	33.86	22	2-794632-2
1	34.00	27.00	30.86	20	2-794632-0
1	31.00	24.00	27.86	18	1-794632-8
1	28.00	21.00	24.86	16	1-794632-6
1	25.00	18.00	21.86	14	1-794632-4
1	22.00	15.00	18.86	12	1-794632-2
1	19.00	12.00	15.86	10	1-794632-0
1	16.00	9.00	12.86	8	794632-8
1	13.00	6.00	9.86	6	794632-6
1	10.00	3.00	6.86	4	794632-4
1	7.00	-	3.86	2	794632-2

THIS DRAWING IS A CONTROLLED DOCUMENT.

DIMENSIONS: mm [INCHES]	TOLERANCES UNLESS OTHERWISE SPECIFIED: 0 PLC ± 1 PLC ± 2 PLC ±0.20 (.008) 3 PLC ± 4 PLC ± ANGLES ± FINISH ±	DWN B. HAYMAKER 16AUG99 CHK K. COBLE 16AUG99 APVD K. COBLE 16AUG99	TE Connectivity	
MATERIAL SEE TABLE	SEE TABLE	PRODUCT SPEC APPLICATION SPEC WEIGHT	NAME VERTICAL HEADER ASSEMBLY, THRU HOLE, 30 GOLD, DUAL ROW, MICRO MATE-N-LOK™ SIZE A2 CAGE CODE 00779 DRAWING NO. 794632 RESTRICTED TO CUSTOMER DRAWING SCALE 4:1 SHEET 1 OF 1 REV D2	