

LOC  
B

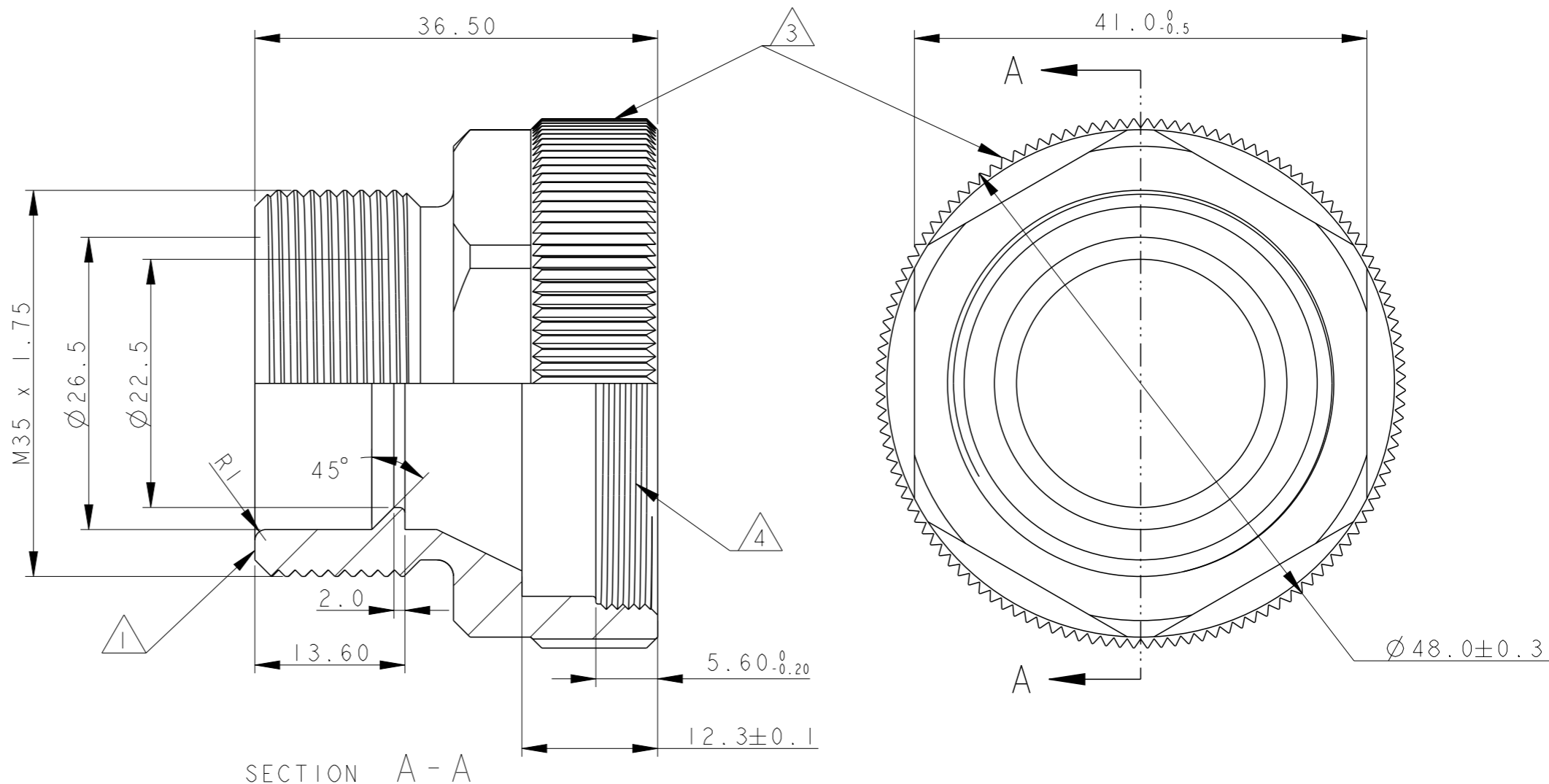
DIST  
E

REVISIONS

P	LTR	DESCRIPTION	DATE	DWN	APVD
	J	ECR-12-015500	30/08/12	MJG	DP

NOTES;

- 1 COMPANY LOGO, PART NUMBER AND CAVITY IDENTIFICATION CHARACTERS TO DIN 1451-H1, RAISED 0.12
- 2. PACKAGING SPECIFICATION: BULK PACKAGING IN CORRUGATED CARTON
- 3 KNURL DIN 82 - RAA 1
- 4 THREAD 1 5/8 - 18UNEF - 2B



THIS DRAWING IS A CONTROLLED DOCUMENT.

DWN PETTKE 17/07/80

CHK ADAMSKI 21/05/81

APVD



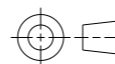
NAME ADAPTER 26 (SIZE 28)

DIMENSIONS:

mm

TOLERANCES UNLESS OTHERWISE SPECIFIED:

0 PLC	±0.2
1 PLC	±0.2
2 PLC	±0.2
3 PLC	±0.2
4 PLC	±0.2
ANGLES	±2



MATERIAL material

FINISH -

PRODUCT SPEC -

APPLICATION SPEC -

WEIGHT -

SIZE A300779 CAGE CODE G-926748 DRAWING NO

RESTRICTED TO -

CUSTOMER DRAWING

SCALE NTS

SHEET 1 OF 1

REV J