

6

5

4

3

2

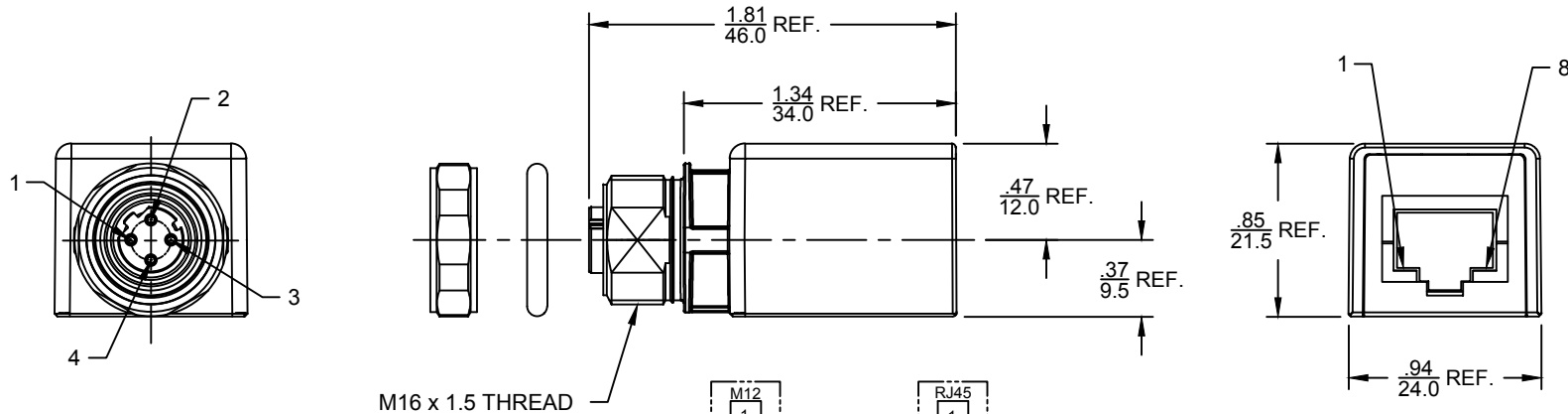
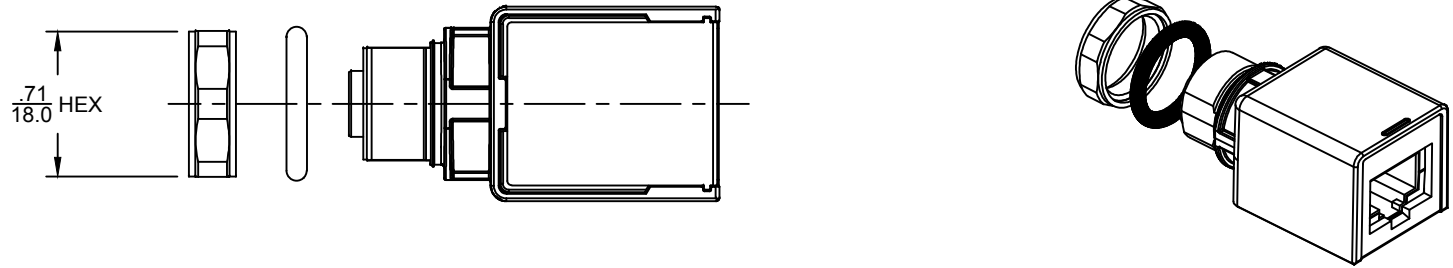
1

SAP P/N #

ENGINEERING P/N

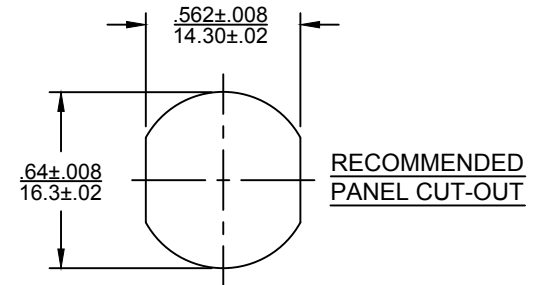
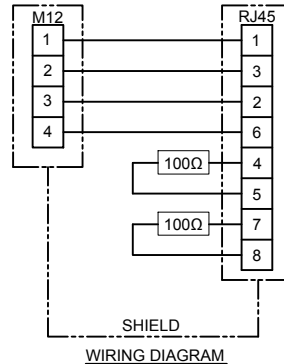
1300540031

ER1PADAPTER



## NOTES:

- 1) MATERIAL: SEE TABLE
- 2) FINISHES: SEE TABLE
- 3) ELECTRICAL DATA: CAT 5E
- 4) ENVIRONMENTAL:  
PROTECTION: M12 - IP65/IP67  
RJ45 - IP20  
TEMPERATURE: -5°C TO +60°C
- 5) ASSEMBLY IS RoHS COMPLIANT.



5) ASSEMBLY IS RoHS COMPLIANT.

ITEM	QTY	DESCRIPTION	MATERIAL	FINISH	REV	DESCRIPTION	QUALITY SYMBOLS	GENERAL TOLERANCES (UNLESS SPECIFIED)		DIMENSION STYLE		SCALE	DESIGN UNITS	THIRD ANGLE PROJECTION
								mm	INCH	IN	INCH	NTS	INCH	
6	1	BODY	NYLON	BLACK		SD RELEASE EC NO: IPC2016-1534 DRWN: MZIELINS 2016/05/16 CHKD: RSTONE 2016/05/17 APPR: BWOODMAN	▽=0 ▽=0	4 PLACES	±---	±---	DRAWN BY	DATE	TITLE	D-CODED ADAPTER STRAIGHT 4P FEM M12 TO FEM RJ45 BACK PANEL MOUNT M16X1.5
5	4	SOCKET CONTACT	COPPER ALLOY	GOLD PLATED	3 PLACES			±---	±---	CHECKED BY	DATE	MZIELINS 2016/05/16 RSTONE 2016/05/17		
4	1	OUTER O-RING	NITRILE	GREEN	2 PLACES			±---	±---	APPROVED BY	DATE			
3	1	INNER O-RING	VITON	GREEN	1 PLACE			±---	±---	ANGULAR ±---°		MATERIAL NO.		MOLEX INCORPORATED DOCUMENT NO. SD-130054-003
2	1	INSERT, D-CODE	NYLON	GRAY	DRAFT WHERE APPLICABLE MUST REMAIN WITHIN DIMENSIONS			SEE TABLE		SHEET NO.		1 OF 1		
1	1	SHELL	BRASS	NICKEL	THIS DRAWING CONTAINS INFORMATION THAT IS PROPRIETARY TO MOLEX INCORPORATED AND SHOULD NOT BE USED WITHOUT WRITTEN PERMISSION			SIZE		A				

6

5

4

3

2

1